



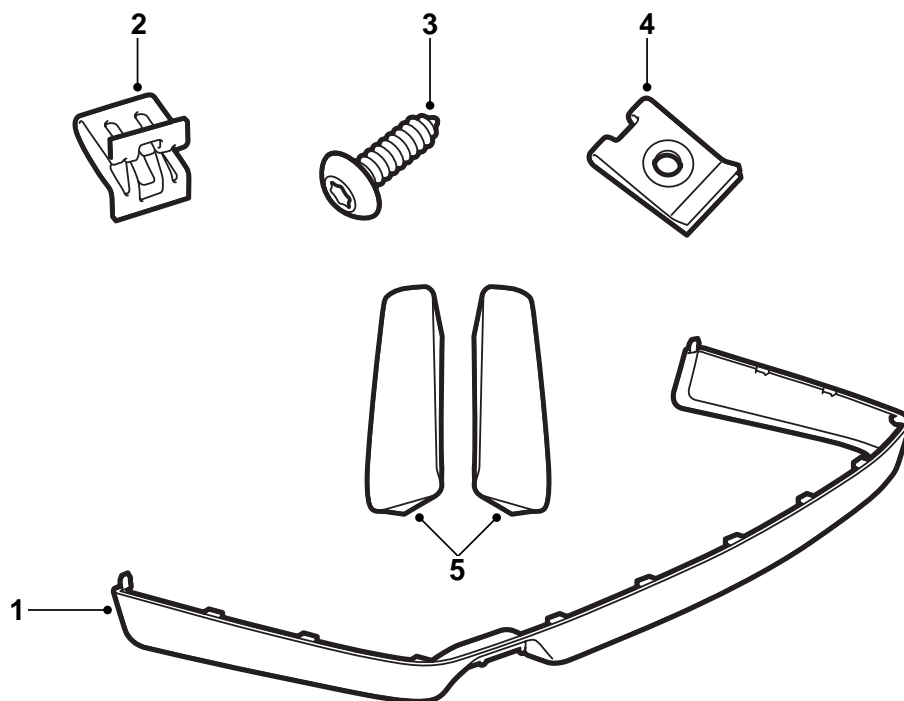
SAAB

**MONTERINGSANVISNING · INSTALLATION INSTRUCTIONS
MONTAGEANLEITUNG · INSTALLATIONS DE MONTAGE**

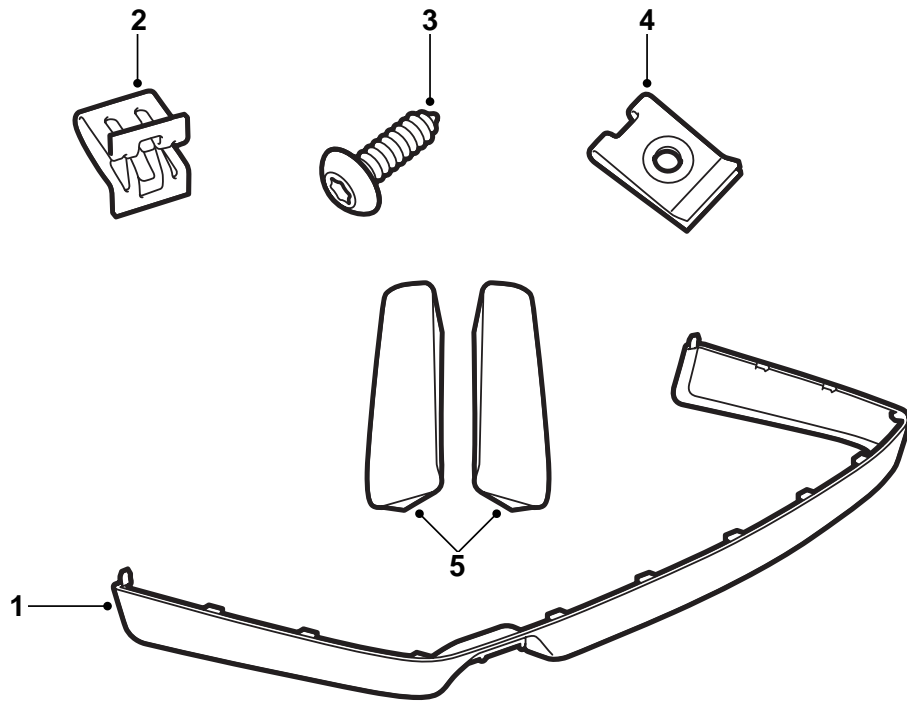
Saab 9-3

Bumper skirt

Accessories Part No.	Group	Date	Instruction Part No.	Replaces
400 109 047	9:84-09	Feb 99	47 86 489	47 86 489 Nov 98

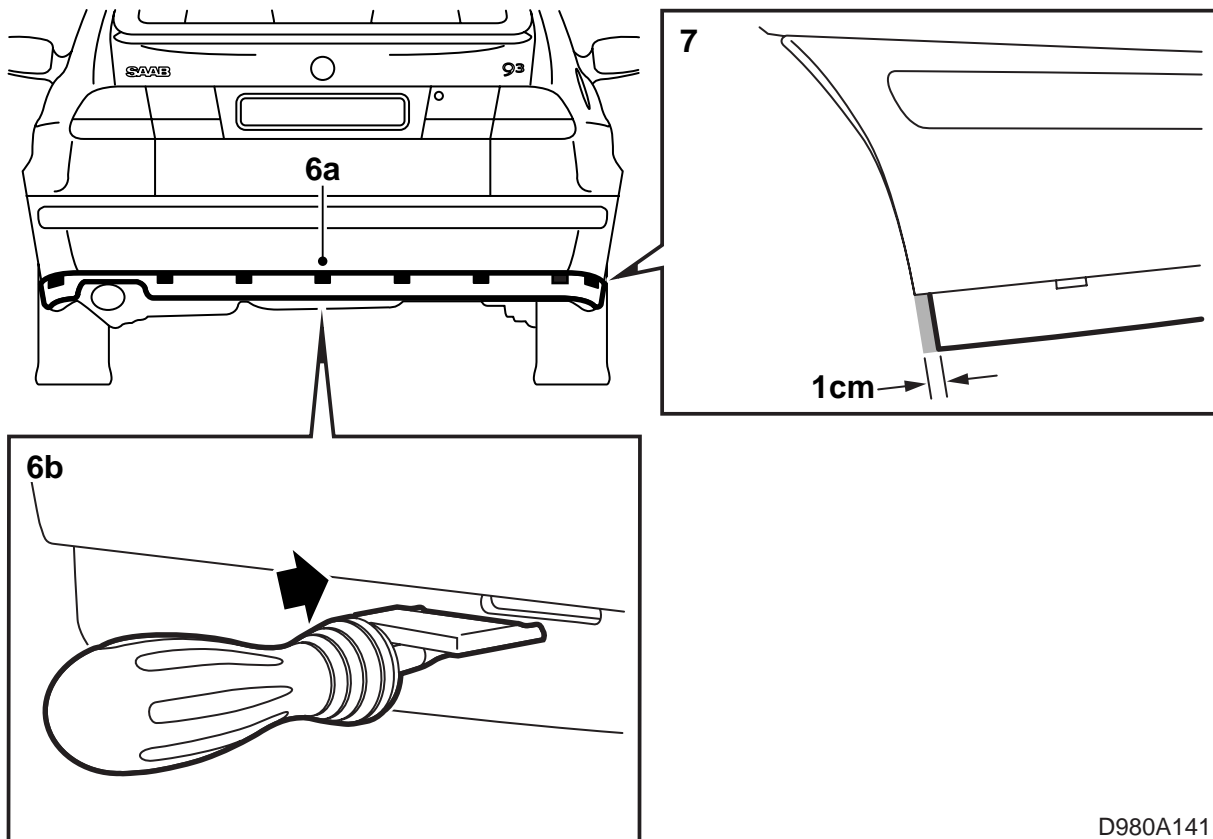


D980A140



D980A140

- 1 Bumper skirt (1 pc.)
- 2 Clip (11 pcs.)
- 3 Screw (6 pcs.)
- 4 Clip (2 pcs.)
- 5 Stone guard tape (2 pcs.)
- 6 Installation instructions (1 pc.)



D980A141

The bumper skirt is supplied primed and therefore ready for painting.

- 1 Paint the bumper skirt in the body colour. See "Directions for painting pre-primed PP/EPDM-plastic" in these installation instructions.
- 2 Place the car on a lift and raise it.
- 3 Cut away the production lips and transit lock above the exhaust pipe cut-out.
- 4 Wash the bottom of the bumper to make it easier to locate the markings. The markings are in the form of small nipples.
- 5 Mask the painted section of the bumper above the markings with masking tape.
- 6 Cut out the 11 holes into which the bumper skirt's plastic tabs are to be fitted as follows:
 - a Locate the markings.
 - b Place the point of the special knife, part no. (16) 82 93 227, midway between the markings with the flat side face up.

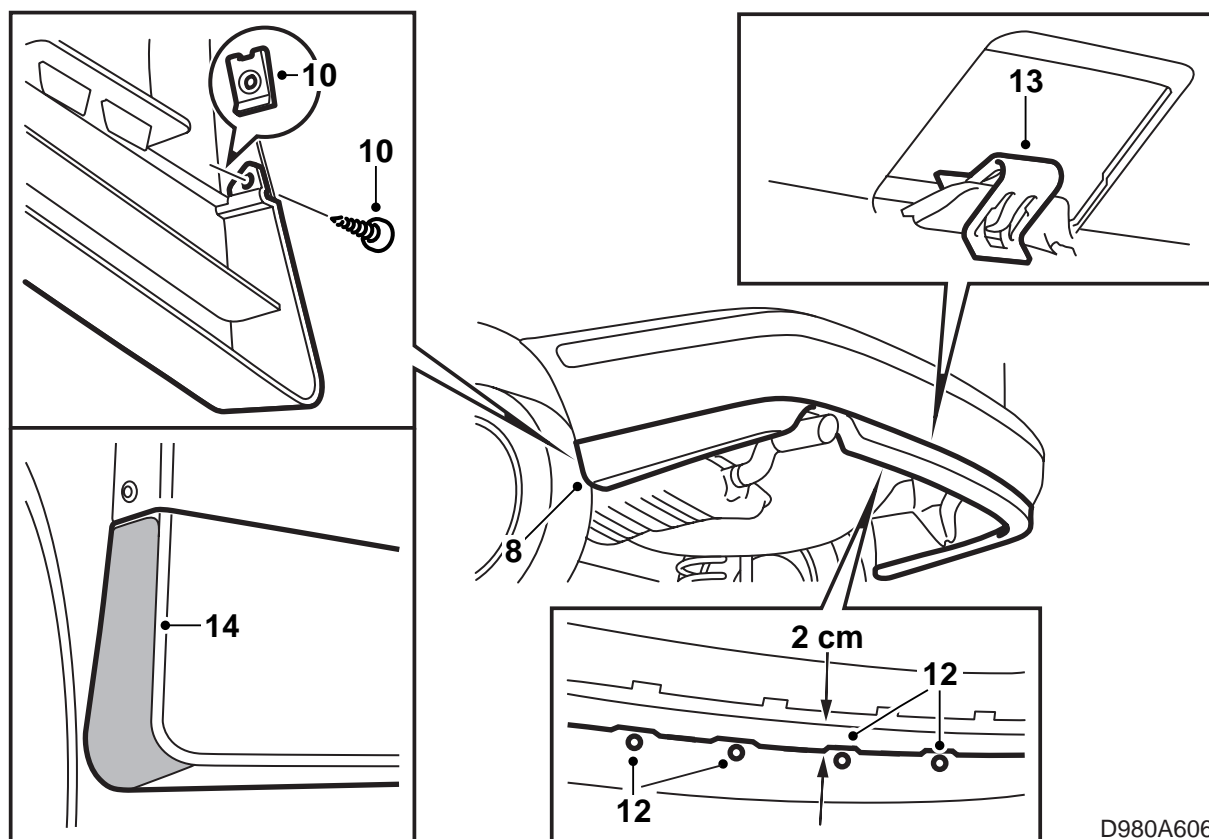
- c Cut out the top part of the hole by pressing in the special knife until the spike has left a mark at the bottom.

Important

Take care!

The special knife must be pressed horizontally and at right-angles to the bumper shell.

- d Turn over the knife and place the point into the mark left by the spike. Cut out the bottom part of the hole.
- 7 Cut away about 1 cm of the front edge of the bumper, see illustration, on both sides. This is to make room for the bumper skirt.



D980A606

- 8 Lift the bumper skirt into position.
- 9 Make two holes in the bumper (towards the wheel housing) with an awl. Make sure the bumper skirt fits flush with the bumper shell.
- 10 Fit the screws and clips.
- 11 Pull in the bumper skirt so that its edge is about 2 cm (0.8 in) from the edge of the bumper in the middle.
- 12 Measure the position of the markings in the two outer tabs and mark the inner tabs accordingly. Make holes at the markings with an awl and fit 4 screws.
- 13 Fit the clips to the bumper skirt's plastic tabs, 11 pcs.
- 14 Fit the stone guard tape to the left and right-hand sides of the bumper skirt.
- 15 Remove the masking tape and lower the car.

Directions for painting pre-primed PP/EPDM plastic

- The bumper skirt must be positioned so that deformation is avoided while painting.
- To avoid deformation of the bumper skirt, the temperature must not exceed +70°C (158°F).
- The bumper skirt is pre-primed from the supplier.
- Use clean gloves when handling the bumper skirt.