



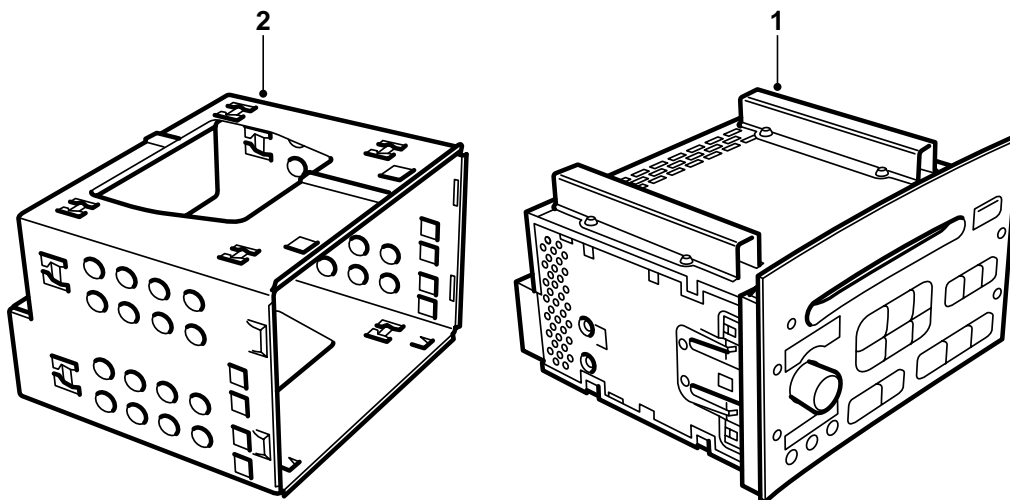
SAAB

**MONTERINGSANVISNING · INSTALLATION INSTRUCTIONS
MONTAGEANLEITUNG · INSTALLATIONS DE MONTAGE**

Saab 9-5

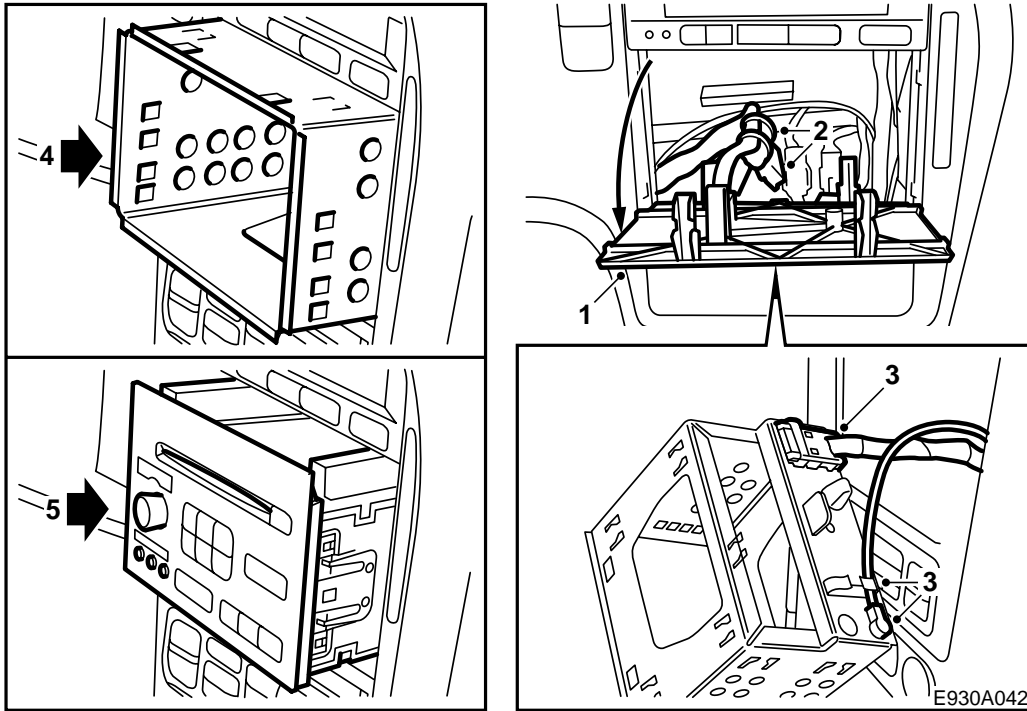
Radio installation kit

Accessories Part No.	Group	Date	Instruction Part No.	Replaces
400 109 096	9:36-10	Mar 98	50 36 280	



E930A041

- 1 Radio
- 2 Radio compartment
- 3 Fitting instructions 50 36 280



- 1 Remove the cover on the dashboard.
- 2 Localize the radio cables (a cable with connector and the antenna cable) in the space behind the cover. Cut the cable tie securing the cables.
- 3 Fasten the connector and the antenna cable connector to the back of the radio basket.
- 4 Slide the radio basket into the dashboard while checking the car's wiring harness so that it not pinched or folded.
There is a guide pin on the back of the radio basket that snaps into a recess in the heating and ventilation unit.
- 5 Slide the radio into the basket. Slide it in far enough for the catches to lock properly in the radio basket.
- 6 Programme the radio for the car, i.e. the radio must be "married" to the car before it can be used. This is done with the diagnostic tool (Tech 2). See Service Manual 3:5 Audio System, Fault diagnosis, General: Menu "Programming".

When removing the radio

- a "Divorce" the radio before removing it as described in Service Manual 3:5 Audio System.
- b Pull out the radio with the tool supplied with it.