



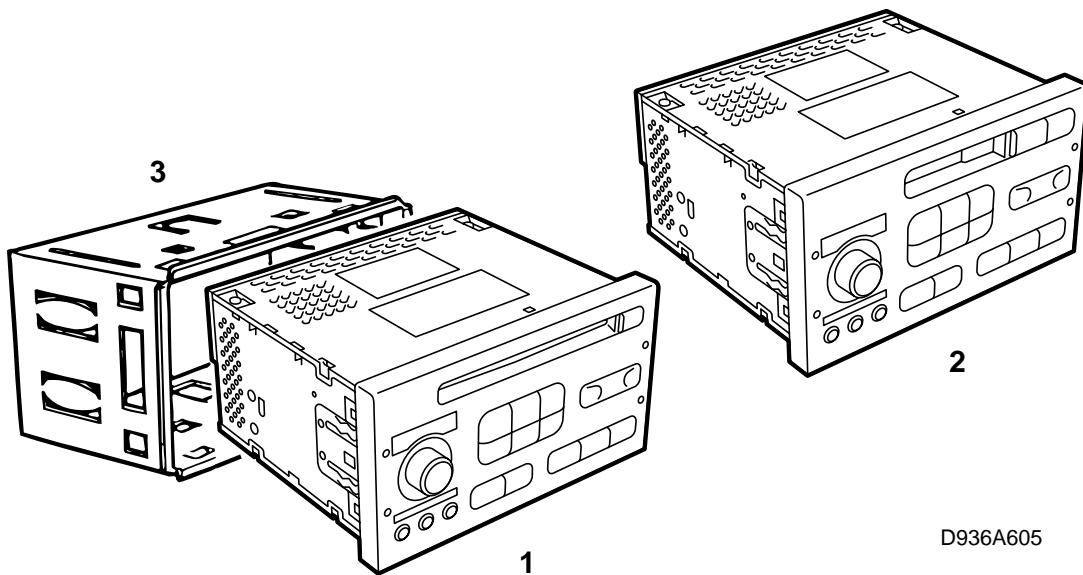
SAAB

**MONTERINGSANVISNING · INSTALLATION INSTRUCTIONS
MONTAGEANLEITUNG · INSTALLATIONS DE MONTAGE**

Saab 9-3

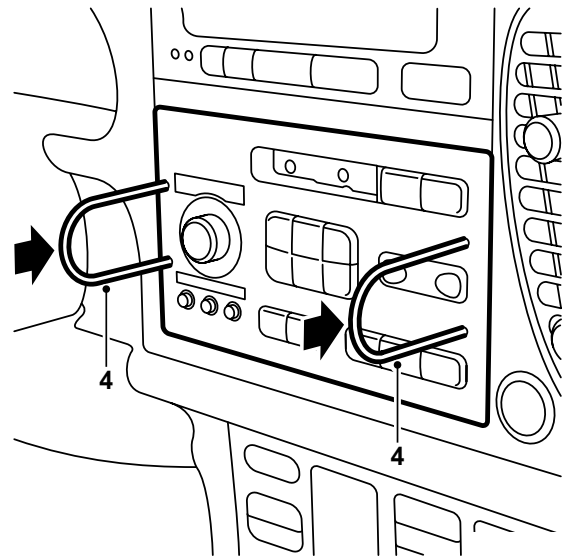
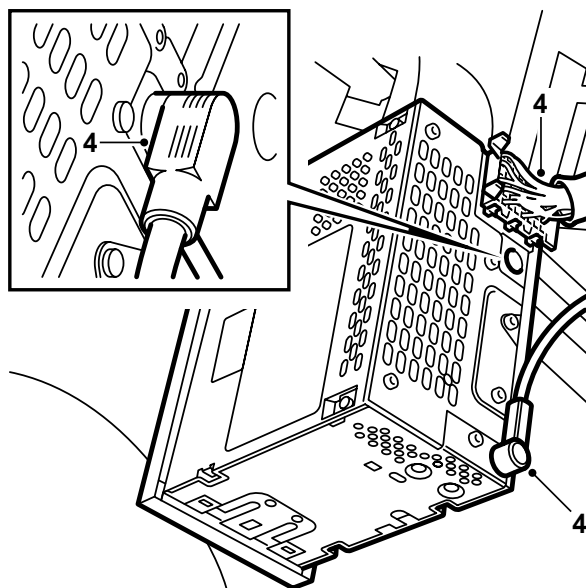
Radio installation

Accessories Part No.	Group	Date	Instruction Part No.	Replaces
400 109 161 400 109 146 400 109 120 400 109 112 400 109 104 400 109 138	9:36-9	Jan 98	50 36 355	



D936A605

- 1 Main unit (Radio/CD)
- 2 Main unit (Radio/Cassette)
- 3 Radio box



D936A606

- 1 Remove the storage box and cover in the dashboard.
- 2 The pre-installed radio wiring is located behind the cover. Cut any cable ties securing the wiring harness to the cover.
- 3 Press the radio box into the dashboard.

Note

Make sure the box does not rub against any of the wiring inside the dashboard.

- 4 Connect the wiring harness to the main unit and fit the unit by pressing it into the dashboard.

Note

Make sure the cables to the main unit do not get pinched during fitting.

- 5 The main unit must finally be “married” to the car to enable it to function.