



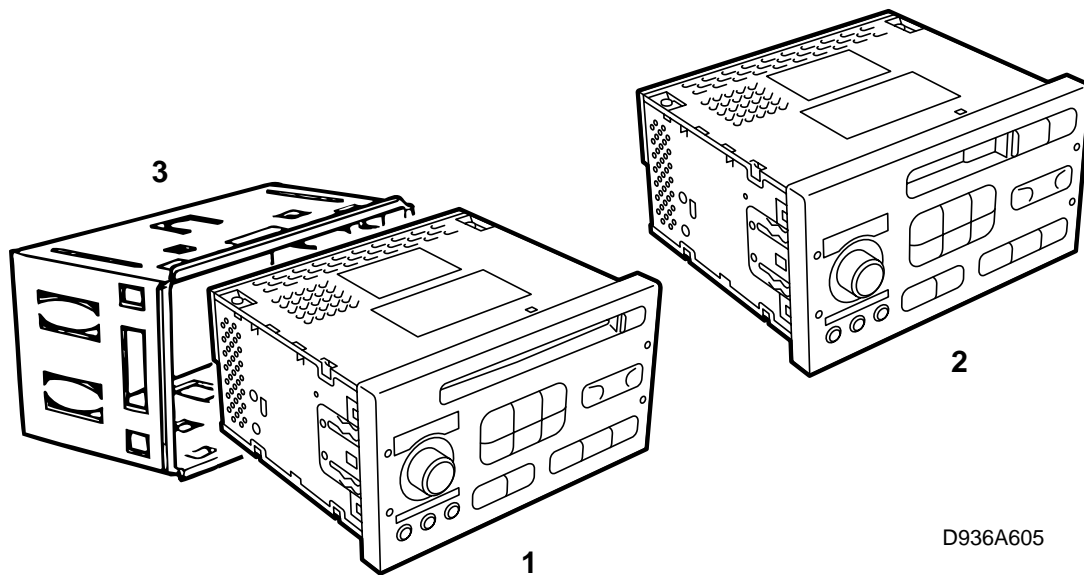
**SAAB**

**MONTERINGSANVISNING · INSTALLATION INSTRUCTIONS  
MONTAGEANLEITUNG · INSTALLATIONS DE MONTAGE**

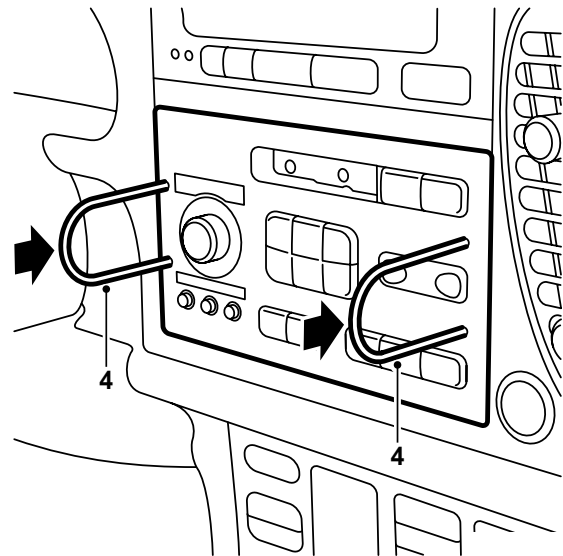
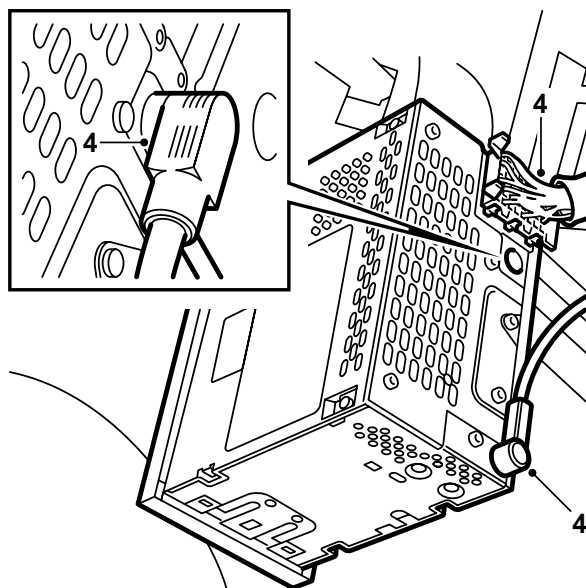
## Saab 9-3

### Radio installation

Accessories Part No.	Group	Date	Instruction Part No.	Replaces
400 109 161 400 109 146 400 109 120 400 109 112 400 109 104 400 109 138	9:36-9	Jan 98	50 36 355	



- 1 Main unit (Radio/CD)
- 2 Main unit (Radio/Cassette)
- 3 Radio box



D936A606

- 1 Remove the storage box and cover in the dashboard.
- 2 The pre-installed radio wiring is located behind the cover. Cut any cable ties securing the wiring harness to the cover.
- 3 Press the radio box into the dashboard.

### Note

Make sure the box does not rub against any of the wiring inside the dashboard.

- 4 Connect the wiring harness to the main unit and fit the unit by pressing it into the dashboard.

### Note

Make sure the cables to the main unit do not get pinched during fitting.

- 5 The main unit must finally be “married” to the car to enable it to function.