



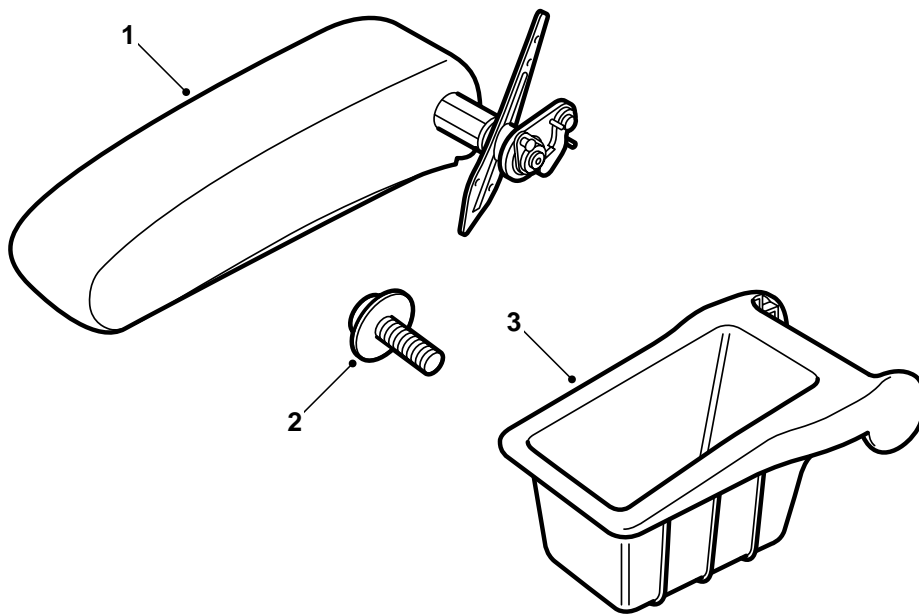
SAAB

**MONTERINGSANVISNING · INSTALLATION INSTRUCTIONS
MONTAGEANLEITUNG · INSTALLATIONS DE MONTAGE**

Saab 9-3

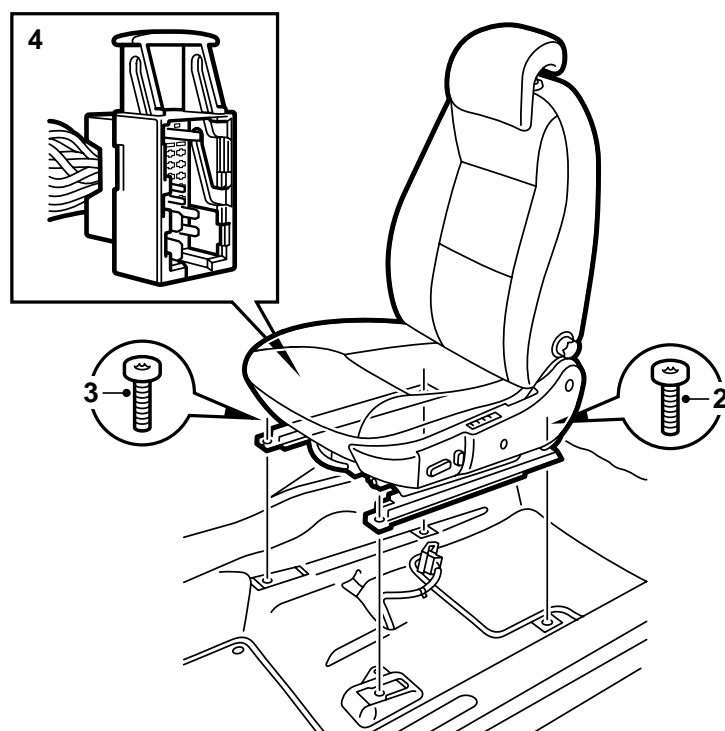
Centre armrest, driver's seat

Accessories Part No.	Group	Date	Instruction Part No.	Replaces
400 109 864 400 109 872	9:88-9	Feb 99	50 33 840	50 33 840 Oct 98



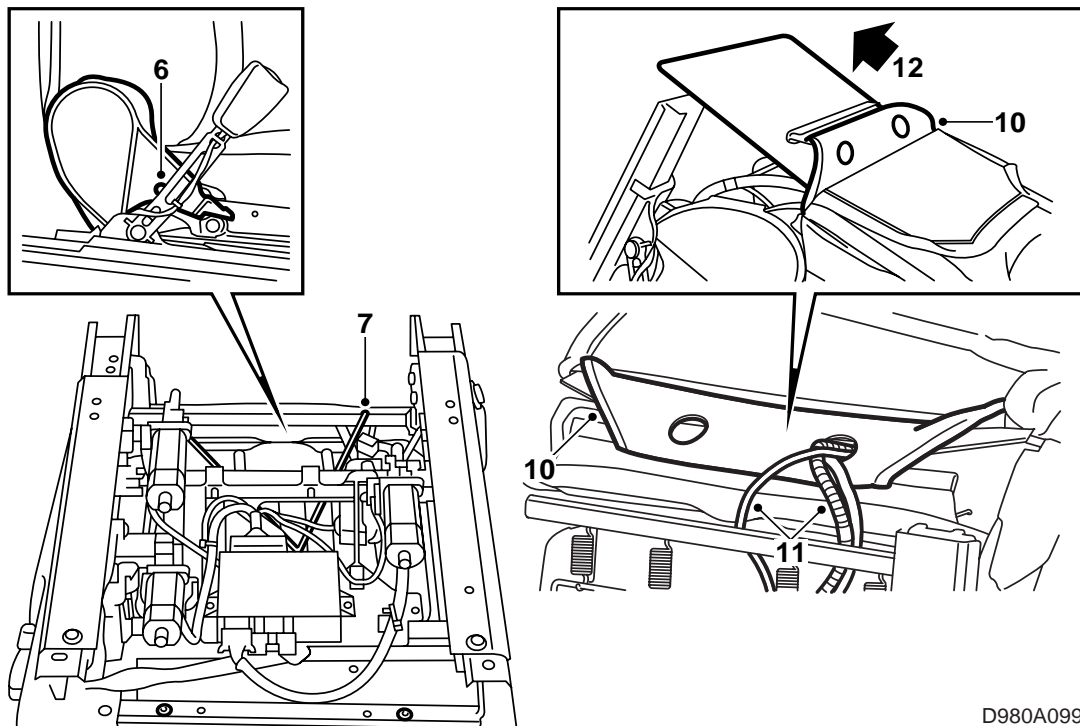
D980A097

- 1 Armrest frame assembly LHD
- 2 Screw, rounded head (3 pcs)
- 3 Rear cover assembly



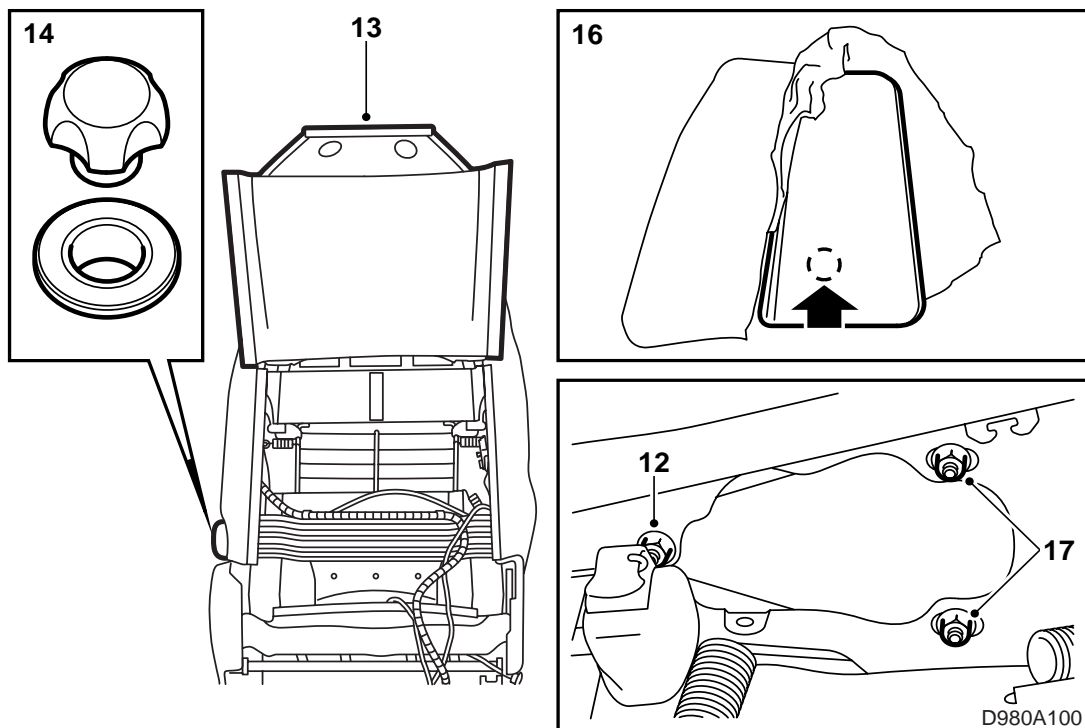
D980A098

- 1 Push the seat forward as far as possible.
- 2 Undo the rear of the seat, 2 bolts.
- 3 Push the seat back and undo the 2 front bolts.
- 4 Tilt back the seat and undo the cable tie, the rubber straps and the 29-pin connector under the seat.
- 5 Lift out the seat, detaching the belt if necessary. Keep the covers under the seat rails.

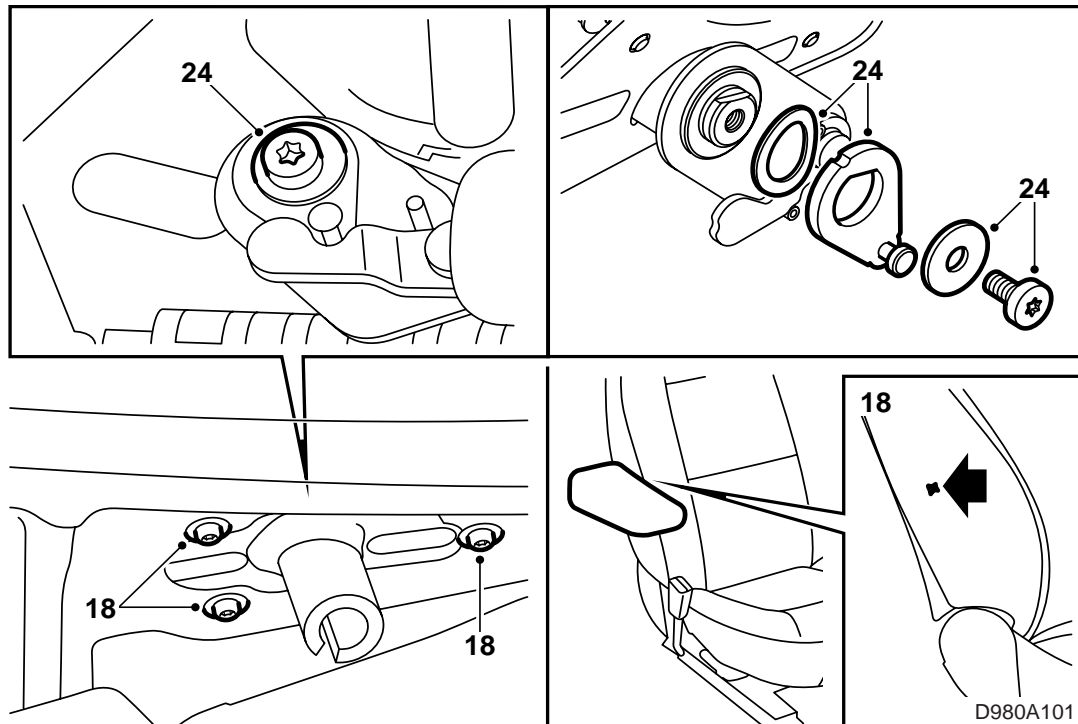


D980A099

- 6 Cut the cable tie securing the plastic protector and remove the protector from the side of the seat, 1 screw.
- 7 Loosen the strap/straps securing the bottom of the backrest upholstery.
- 8 Cut the cable ties (2 pcs.) and unplug the connector.
- 9 Remove the airbag connector from the 29-pin connector.
- 10 Undo the upholstery strips at the bottom.
- 11 Pull out the cables through the hole in the upholstery.
- 12 Pull out the cardboard from the backrest upholstery.



- 13 Undo the back of the backrest upholstery by loosening the upholstery strip along the sides and folding back the upholstery.
- 14 Remove the lumbar support adjustment knob.
- 15 Undo the upholstery strip along the edge on the back of the backrest frame.
- 16 Remove the padding between the upholstery and the backrest frame. Keep the plastic.
Make holes in the padding at the pre-punched recess
- 17 Where necessary, remove the cover plate from the pre-punched hole in the backrest frame, three screws.



18 Fit the mounting into the seat.

Tightening torque: 3.5 Nm (2.6 lbf ft)

Notera

Take care not to split the upholstery.

19 Fit the padding.

20 Refit the upholstery strip along the rear edge of the backrest frame.

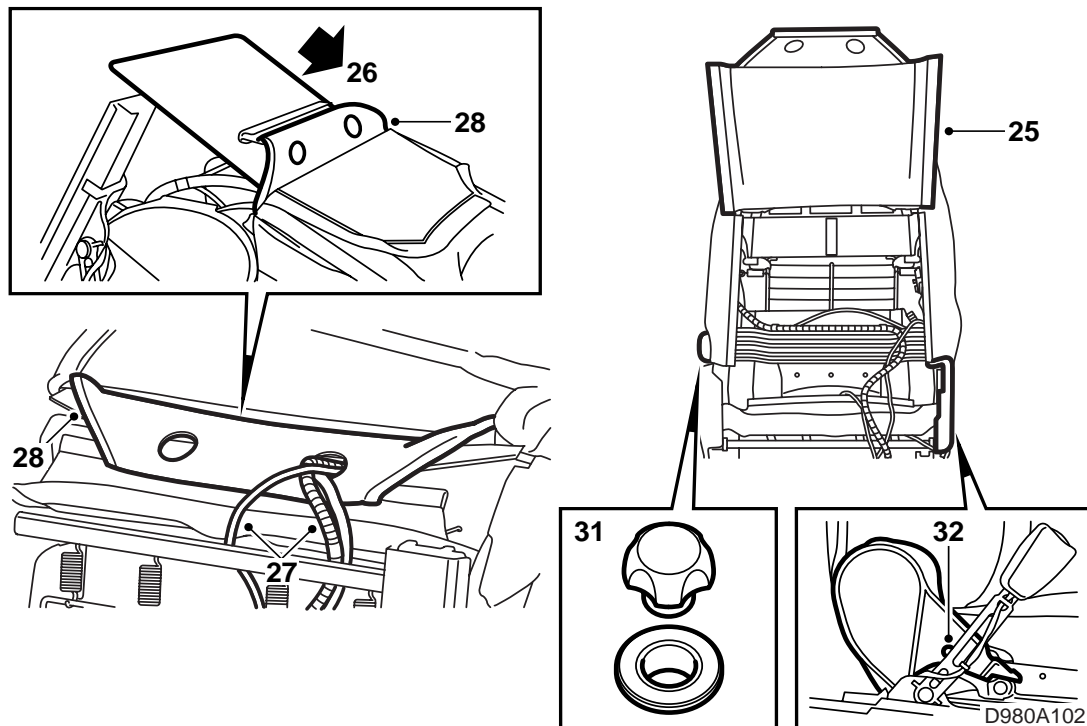
21 Locate the position of the holder and cut a cross in the upholstery with a sharp knife.

22 Undo the upholstery strip again.

23 Fit the upholstery onto the armrest.

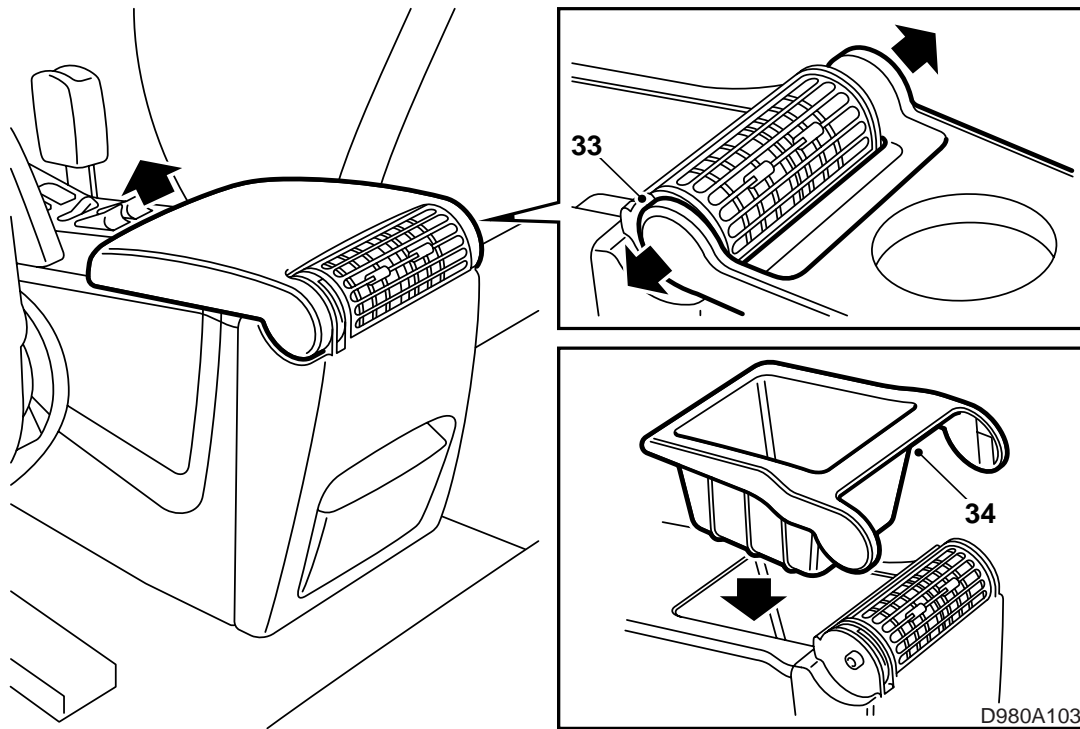
24 Fit the armrest to the mounting.

Tightening torque: 3.5 Nm (2.6 lbf ft)



- 25 Refit the backrest upholstery by replacing the strips along the sides.
- 26 Insert the cardboard into the backrest upholstery.
- 27 Insert the cables through the hole in the upholstery.
- 28 Refit the upholstery strip at the bottom.
- 29 Secure the cables, plug in the connectors and fit cable ties.
- 30 Attach the strap/straps to the bottom of the backrest upholstery under the seat cushion.
- 31 Fit the lumbar support adjustment knob.
- 32 Fit the plastic protector to the inboard side of the seat.

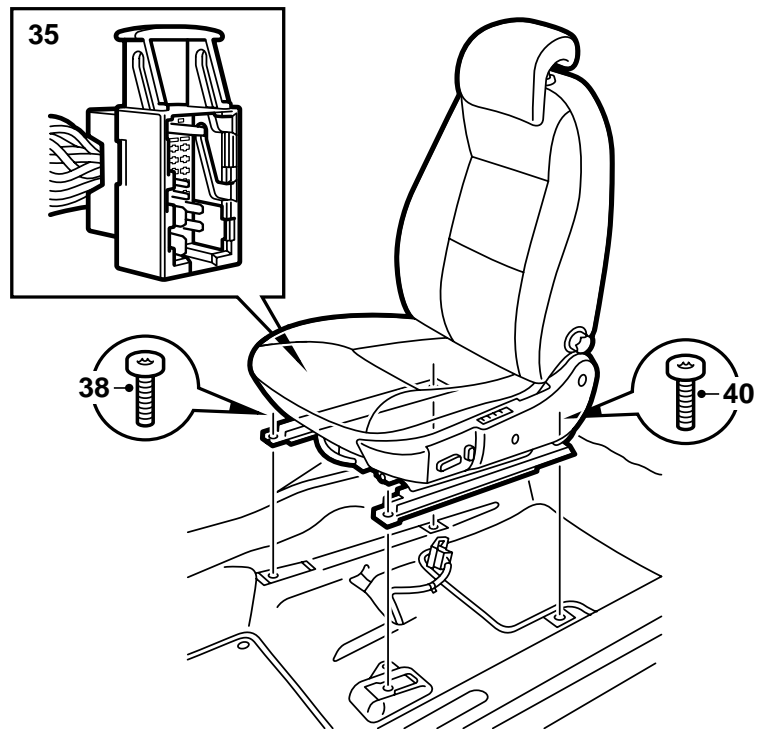
Secure the cable to the seat belt lock with a cable tie so that the head of the fastener is pointing down.



27 Remove the storage tray in the centre console between the seats.

Bend out "the ears" and pull up.

28 Fit the new tray.



D980A104

- 35 Lift the seat into the car and tilt it back. Plug in the 29-pin connector under the seat and fit cable ties.
- 36 Refit the seat belt if previously removed.
- 37 Put the seat in place.
- 38 Thread in the front bolts without tightening them.
- 39 Place the covers under the seat rails.
- 40 Move the seat forward and fit the rear bolts.
 - Manual seat: Check the legroom adjustment so that the seat locks on the right and left-hand sides.
- 41 Tighten the rear seat bolts.

Tightening torque: 24 Nm (18 lbf ft)
- 42 Move the seat as far back as possible.
 - Manual seat: Check the legroom adjustment so that the seat locks on the right and left-hand sides.
- 43 Tighten the front seat bolts.

Tightening torque: 24 Nm (18 lbf ft)