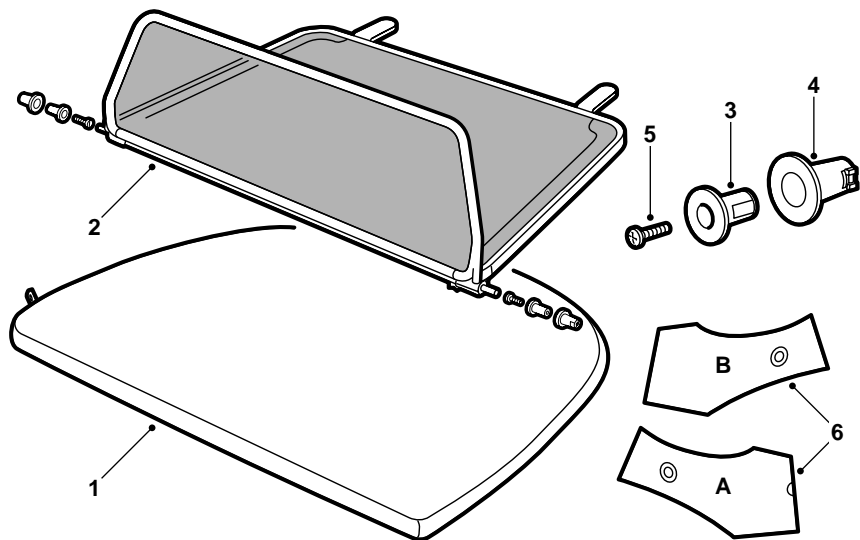


**SAAB****MONTERINGSANVISNING · INSTALLATION INSTRUCTIONS
MONTAGEANLEITUNG · INSTALLATIONS DE MONTAGE**

Saab 900 Cabriolet M1995-98, 9-3 Cabriolet

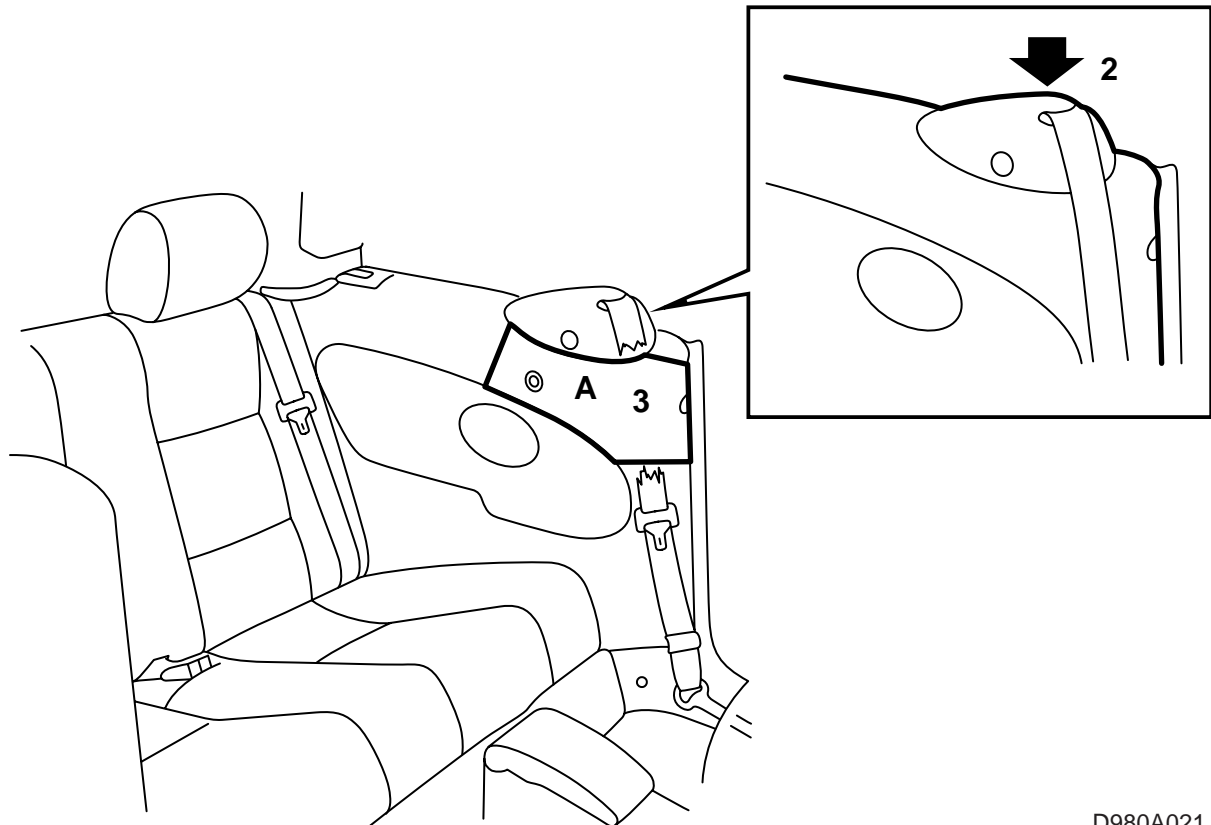
Wind baffle

Accessories Part No.	Group	Date	Instruction Part No.	Replaces
400 105 821				
400 105 839				
400 105 847				
400 105 854				
400 110 359				
400 110 367	9:84-01	Sept 97	47 03 906	47 03 906 Mar 95



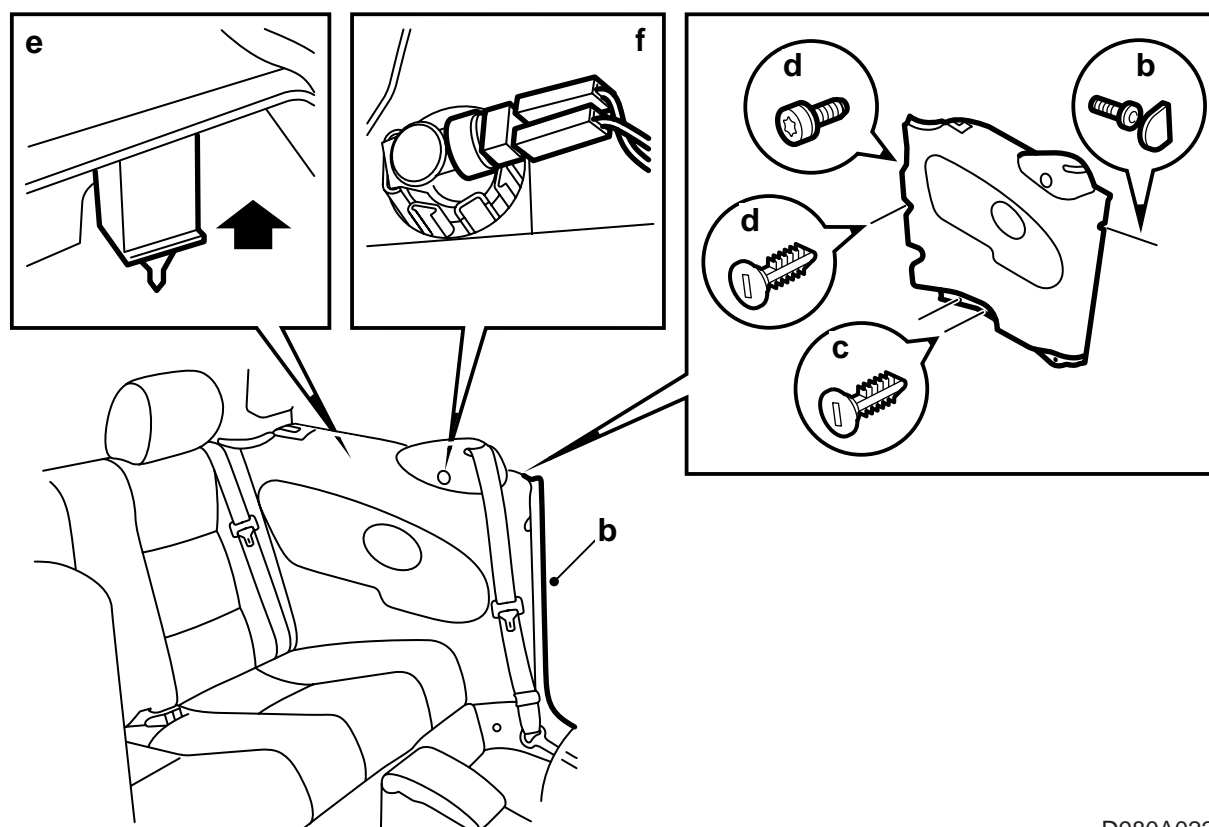
D980A020

- 1 Bag
- 2 Wind baffle
- 3 Bush (2)
- 4 Mounting sleeve (2)
- 5 Bolt (2)
- 6 Template



D980A021

- 1 Open the hood with the ROOF button and lower the door and side windows.
- 2 Make sure that the strap guide cover for the seat belt is pressed right down against the side trim before positioning the template.
- 3 Mark the positions of the holes on both sides by placing the template with A on the LH side and B on the RH side.
- 4 Position the wind baffle in the car by inserting the rear guides under the head restraints. Check that the marked front mounting points in the side trim on both sides coincide with the wind baffle's mounting points.
- 5 Remove the wind baffle and drill holes where marked in the side trim.
- 6 Enlarge the holes to a diameter of 14 mm, using a keyhole saw.



D980A022

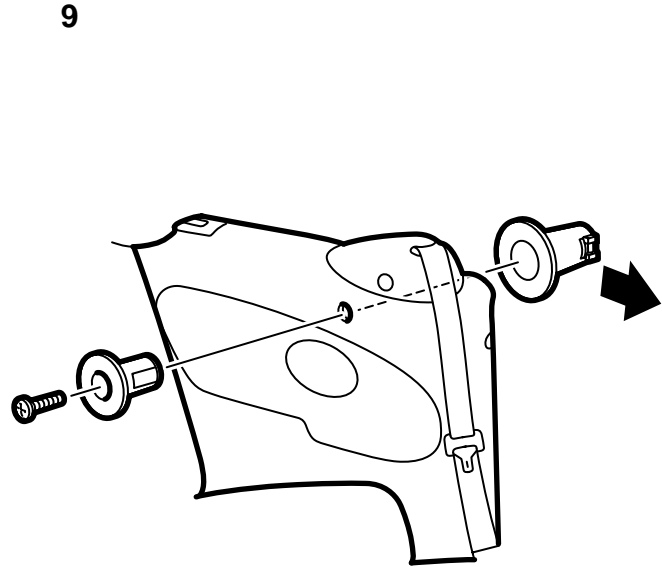
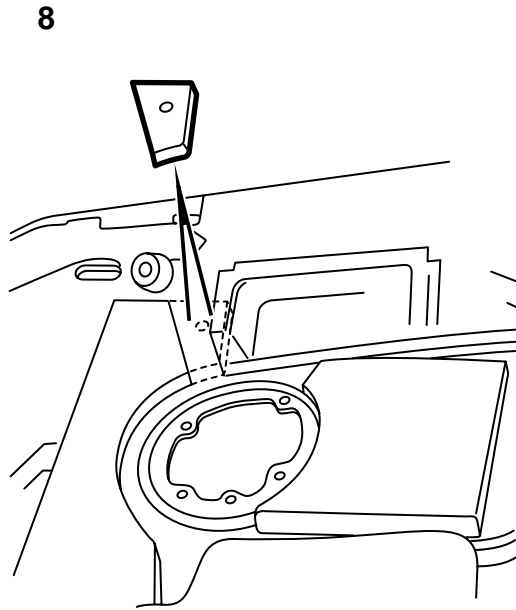
7 Remove the side trim as follows:

- a Remove the rear seat cushion.
- b Detach the door weatherseal from the side trim, remove the blanking-off cover and back off the screw securing the trim to the B pillar.
- c Remove the plastic screws securing the trim at the bottom.
- d Tilt the backrest forwards and remove the screw and plastic screw securing the trim at the rear.
- e Pull the trim upwards to detach it from the clip at the top rear corner.

Important

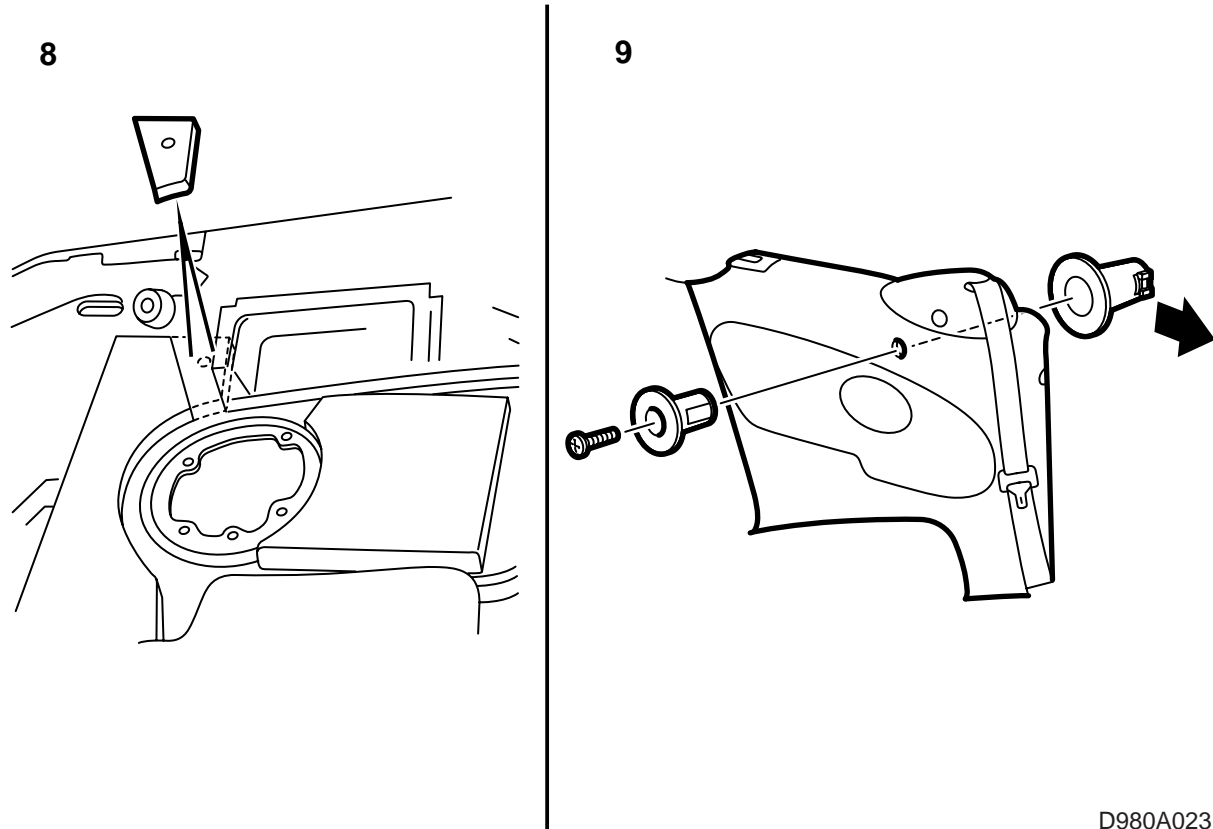
Do not bend the trim as it or the clip could be damaged.

- f Unplug the lamp's connector and place the side trim to one side.



D980A023

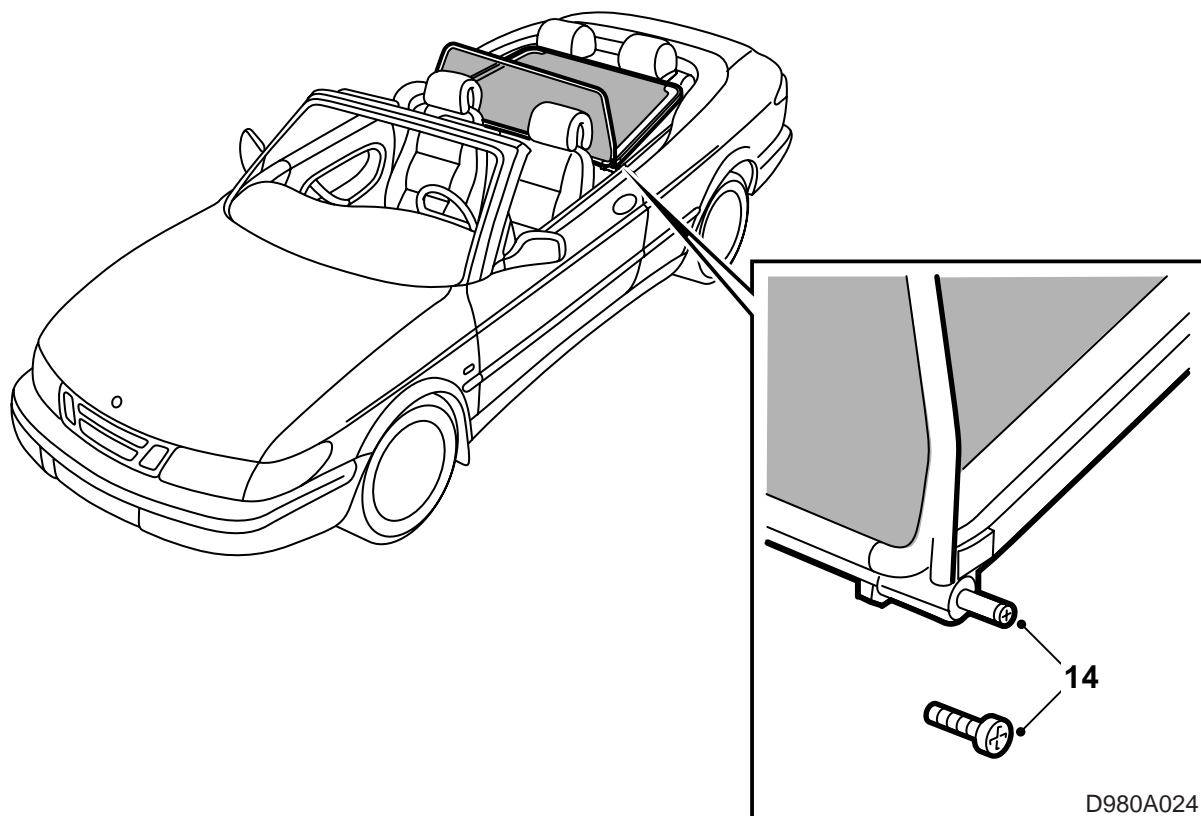
- 8 Remove the foam plastic round the holes in the rear of the side trim on both sides and cut away any residual adhesive.
- 9 Fit the mounting assemblies in the side trim on both sides as shown, making sure that the flat surface of the sleeves faces towards the front of the car.



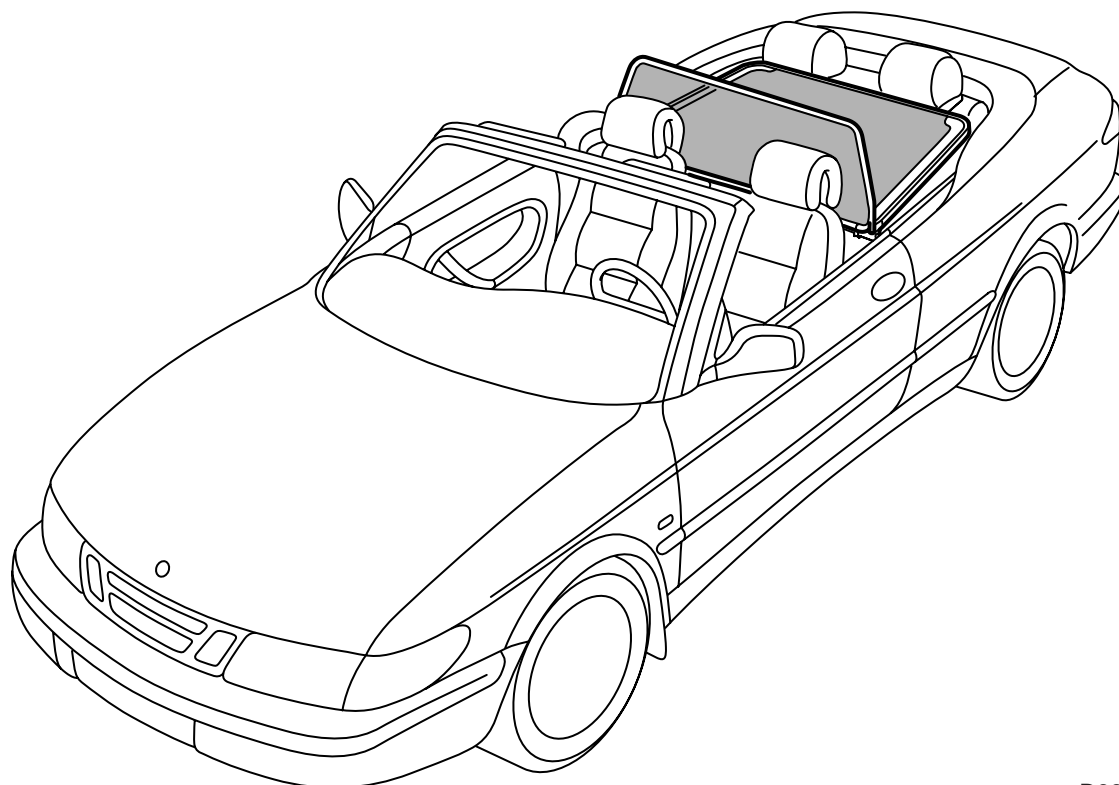
D980A023

10 Fit the side trim on both sides.

- a Plug in the lamp's connector. Fit the trim and press the clip into place at the top rear corner.
- b Tighten the screw and press home the plastic screws securing the trim at the rear.
- c Restore the backrest to an upright position and press home the plastic clips securing the trim at the bottom. Tighten the screw securing the trim to the B pillar.
- d Then press home the blanking-off cover and refit the door weatherseal.



- 11 Go over the car with a vacuum cleaner.
- 12 Fit the rear seat cushion back in place.
- 13 Fit the wind baffle in the car and press the front locating studs into place.
- 14 Check that there is no free play at the front mounting points. If there is, adjust by means of the two screws in the ends of the bushes.
- 15 Always keep the wind baffle in the bag when it is not in use. Place it in the boot with the front locating studs uppermost.
- 16 Place the fitting instructions in the glove box.



D980A025

To fit

Position the wind baffle over the rear seat by inserting the rear guides under the head restraints and pressing the front locating studs into the holes in the side trim on both sides.

Important

Do not adjust the rake of the front seat backrest so much that it presses against the wind baffle.

To remove

Press back the front locating studs, withdraw the wind baffle from the rear seat head restraints and lift it out.

Important

Always keep the wind baffle in the plastic bag when it is not in use. Place it in the boot with the front locating studs uppermost.

Washing

Use linen cloth and soap solution. Gently press on the perforated plastic film.

Important

Never wash using petrol or other solvents,