



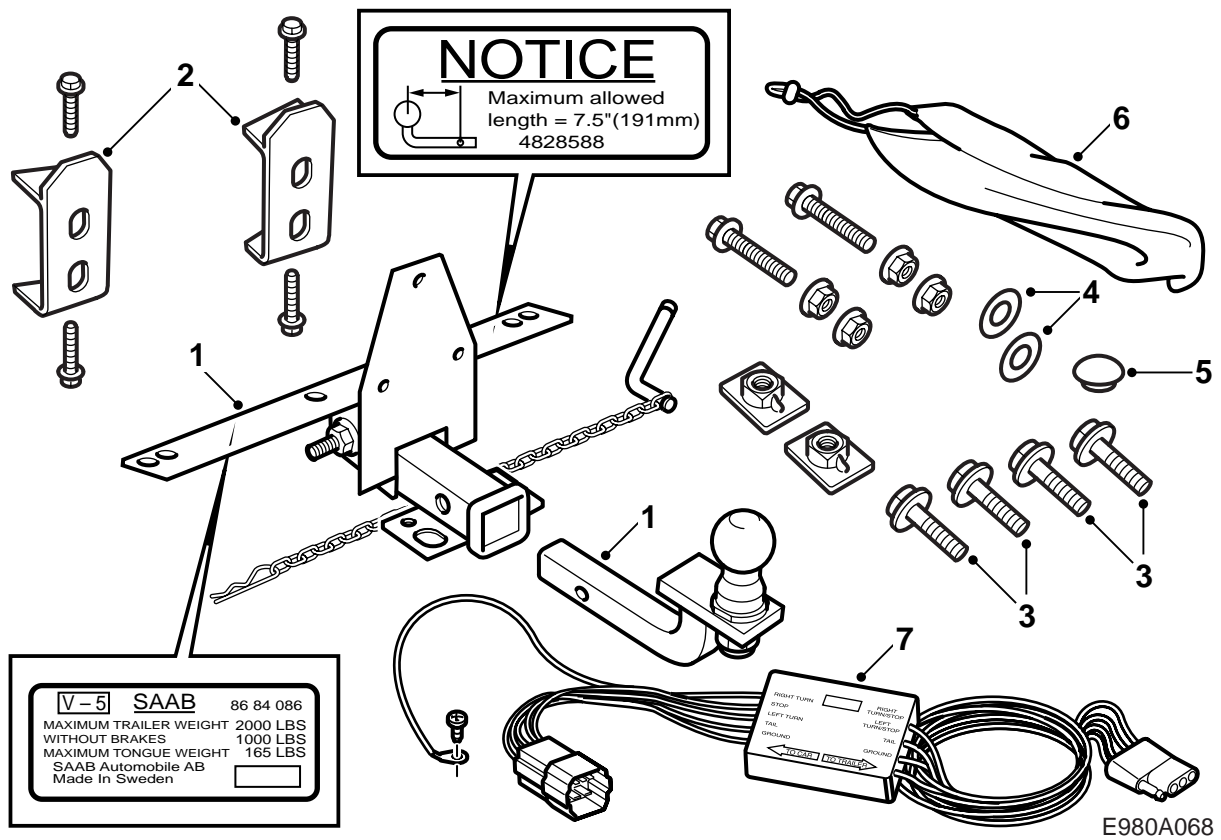
SAAB

**MONTERINGSANVISNING · INSTALLATION INSTRUCTIONS
MONTAGEANLEITUNG · INSTALLATIONS DE MONTAGE**

Saab 9-5 5D

Towbar

Accessories Part No.	Group	Date	Instruction Part No.	Replaces
400 110 607	8:60-30	Apr 98	48 25 725	



- 1 Towing attachment
- 2 Reinforcement
- 3 Set of bolts
- 4 Seal
- 5 Rubber plug
- 6 Protective bag
- 7 Wiring harness with diode box

Note

Always check the national legal requirements and regulations applicable to fitting a towbar. Make sure that they are complied with.

Saab part no. 48 25 667

The trailer towing unit has been designed and tested in accordance with testing standard V-5 and is adapted for Class 1.

Maximum permissible trailer weight:

Braked trailer: 910 kg (2000 lbs)

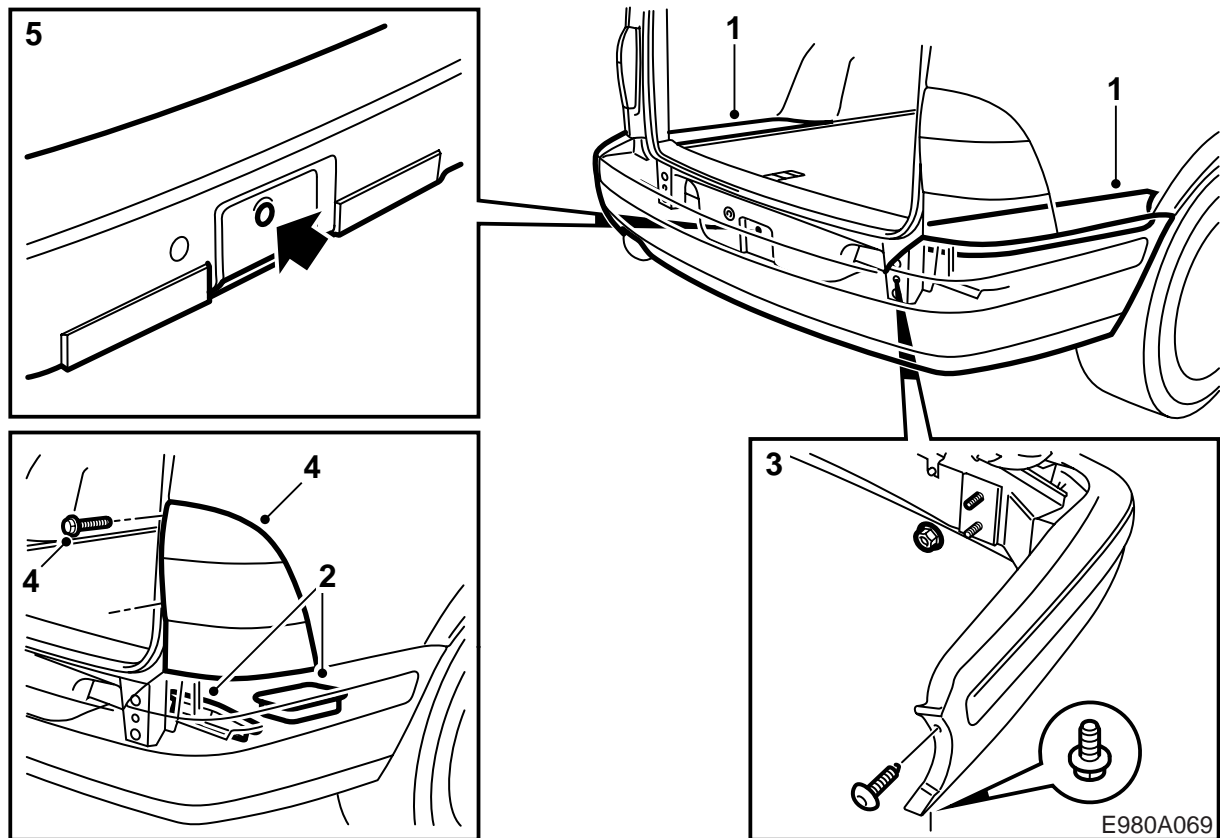
Trailer without brakes: 455 kg (1000 lbs).

Max. permissible weight on towing ball: 75 kg

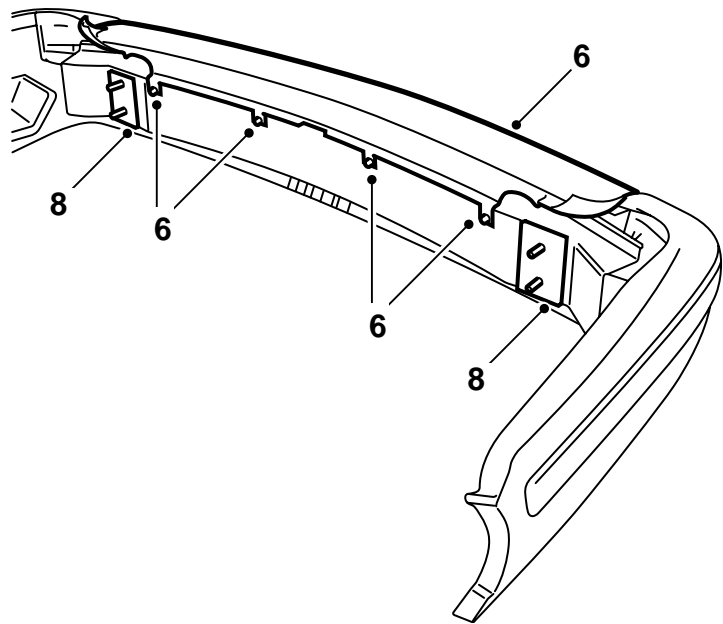
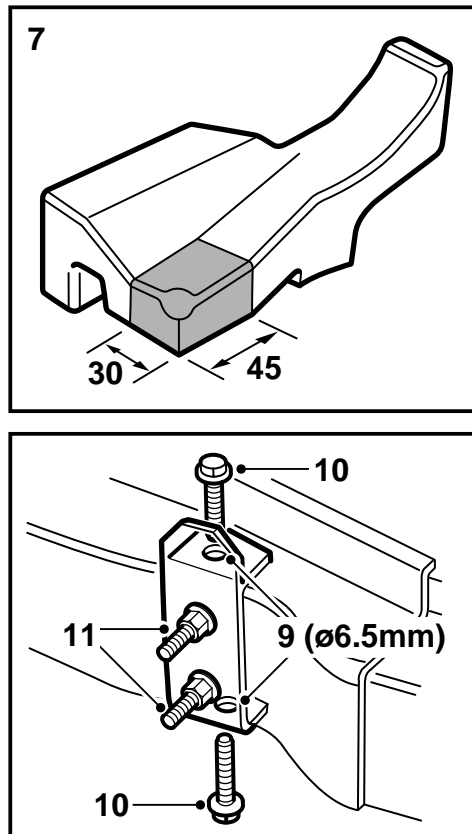
Weight, complete: 9,8 kg (21.5 lbs)

Important

The wiring harness must be connected as described in these instructions. This is mandatory. If connected differently, the car's electronic systems could be adversely affected.

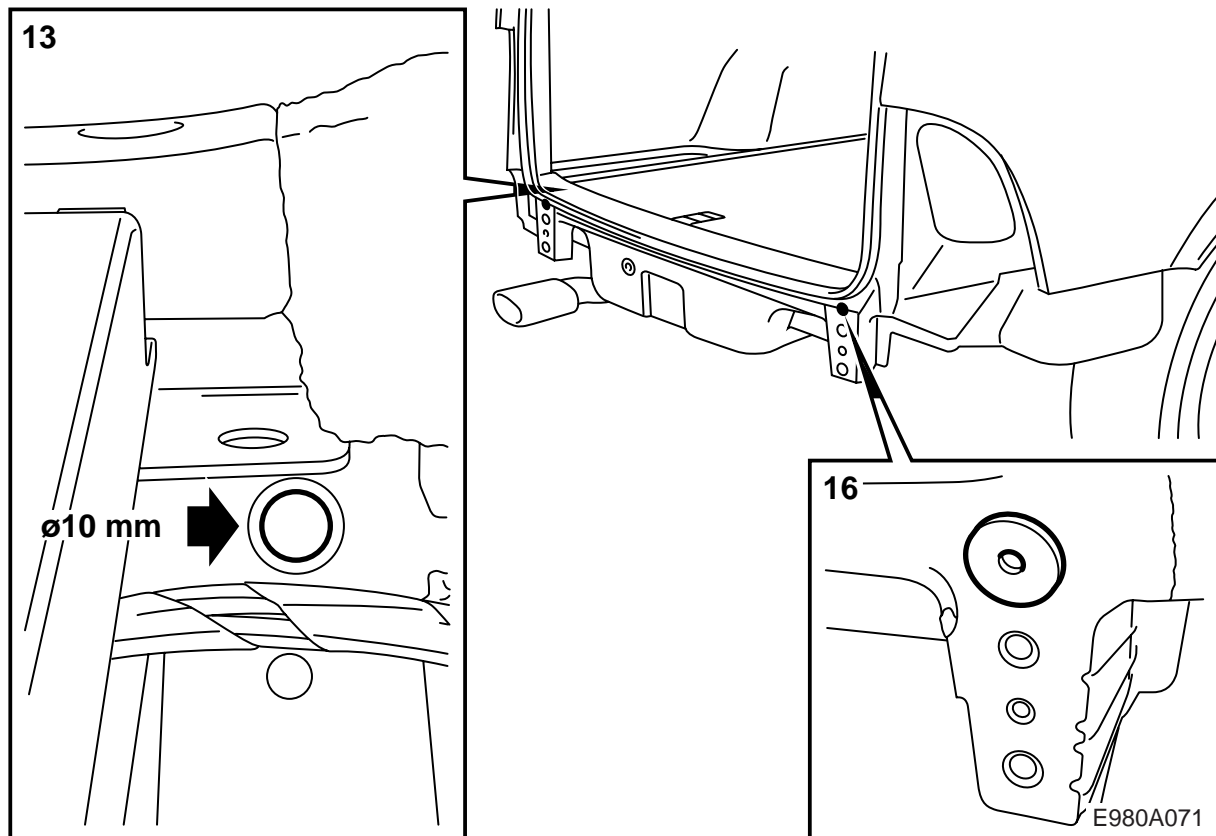


- 1 Undo the outer sections of the luggage compartment floor.
- 2 Lift up the storage box and pull off the foam blocks (2 on each side) at the back of the body.
- 3 Remove the bumper.
- 4 Remove the rear lights by loosening the two covers over the screws, removing the screws and detaching the fasteners at the front of the lamps.
- 5 Remove the towing lug and fit the rubber plug.



E980A070

- 6 Slightly loosen the screws on the upper part of the bumper shell and carefully pull the shell away from its snap fasteners.
- 7 Remove the bumper shell supports and cut out the left-hand support as illustrated and the right-hand support correspondingly.
- 8 Remove the spacers from the bumper rail and fit the reinforcement instead. Tighten the four bumper retaining nuts to secure the reinforcement.
- 9 Drill the four holes in the bumper rail with a 6.5 mm drill.
- 10 Fit the taptite screws.
Tightening torque 25 Nm (20 lbf ft).
- 11 Remove the nuts and position the bumper shell supports.

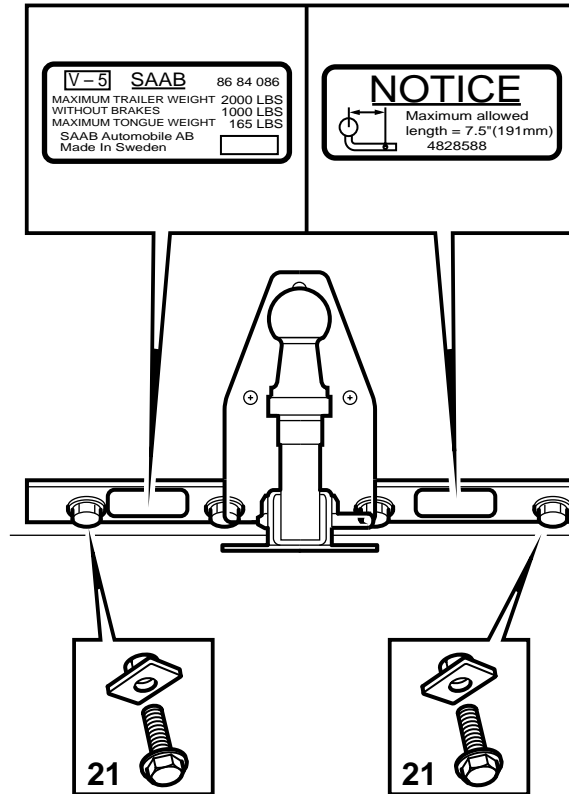
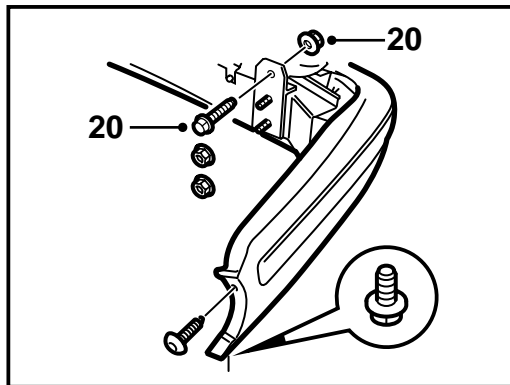
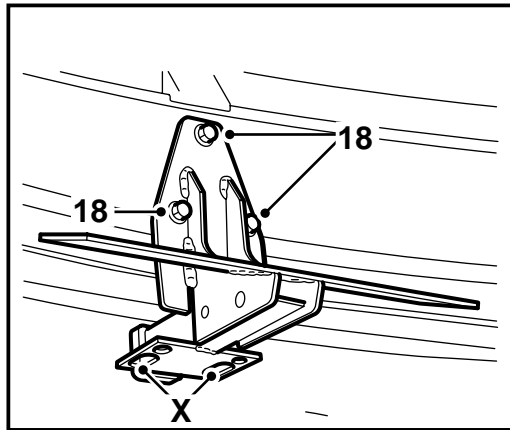


- 12 Scrape off the sealant from the body where the bumper reinforcement will make contact, position the bumper and fit it to the body with the top two nuts.
- 13 Drill 10 mm holes in the sleeves, the rear end panel and the reinforcement.

Important

Take care not to damage the car's wiring harness.

- 14 Remove the bumper and clean all the drill cuttings from the luggage compartment.
- 15 Deburr the holes and remove any loose cuttings and flakes of paint.
- 16 Fit the seals onto the body (self-adhesive).
- 17 Apply cavity sealant Terotex HV 400 (part no. 30 15 930) to the interior surfaces. Apply anti-corrosion agent to the surfaces from which the body sealant was scraped as well.



E980A072

X Eyebolt for fastening the trailer/caravan safety chain

18 Remove the screw in one of the holes in the bumper rail and fit the hook unit to the bumper.

Tightening torque 40 Nm (30 lbf ft).

19 Position the bumper and fit it to the car with four nuts.

Tightening torque 40 Nm (30 lbf ft).

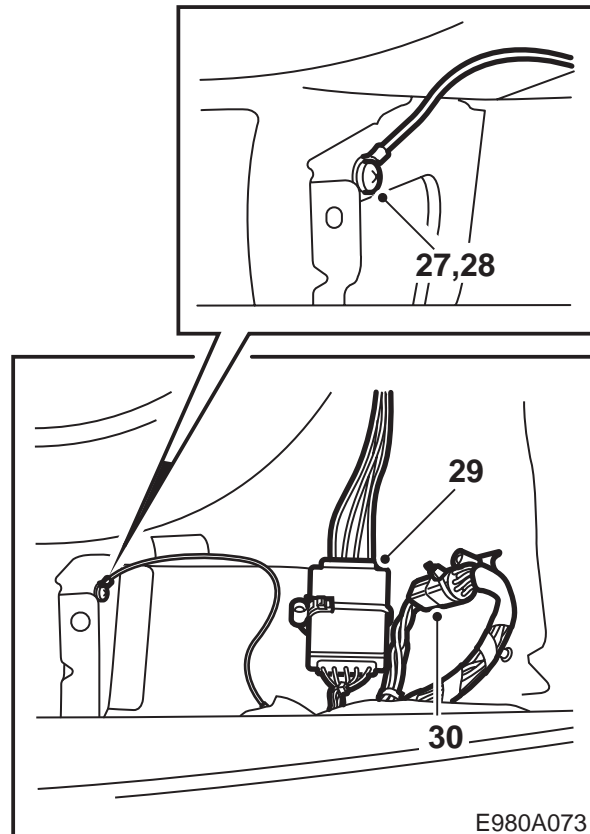
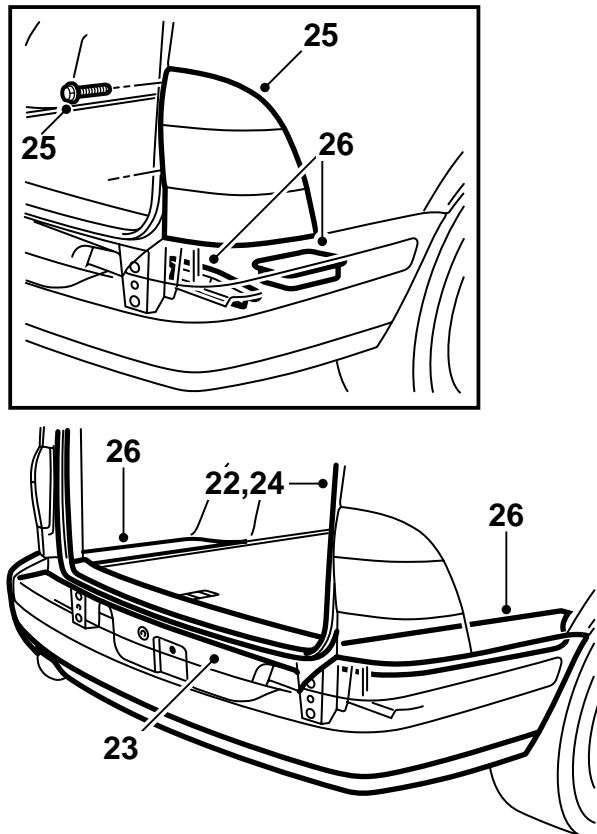
Replace the screw by the wheel housing.

20 Screw the reinforcement to the car.

Tightening torque 40 Nm (30 lbf ft).

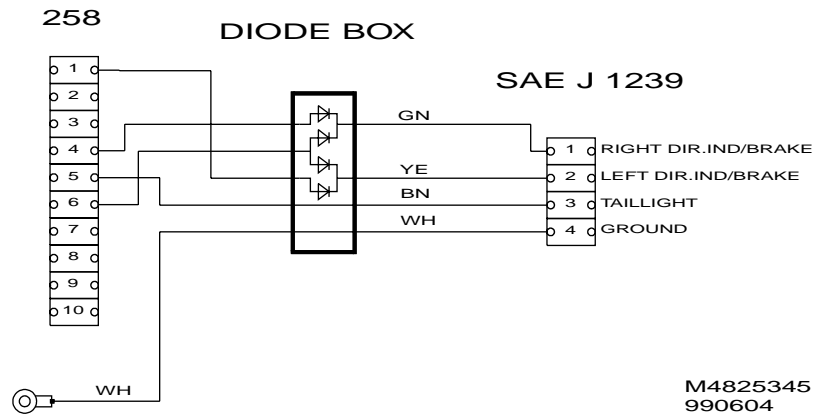
21 Fit the screws and nut plates securing the hook to the body.

Tightening torque 40 Nm (30 lbf ft).



E980A073

- 22 Pull off the bottom of the sealing strip around the luggage compartment opening.
- 23 Replace the upper section of the bumper shell by first positioning it on the four bolts on the bumper member. Then press on the upper section with the hooks over the edge. Tighten the bolts.
- 24 Put back the sealing strip around the luggage compartment opening.
- 25 Fit the rear lights.
- 26 Fit the foam blocks over the bumper mountings in the luggage compartment and put back the storage box and outer sections of the luggage compartment floor.
- 27 Lift up the luggage compartment floor and drill a 5.5 mm hole in the right-hand reinforcement plate, as shown.
- 28 Bolt the ground cable of the wiring harness to the reinforcement plate. Do this in such a way that the cable does not cover the hole in the reinforcement plate. Run the ground cable under the diode box and secure it to the floor with tape.
- 29 Press the wiring harness's diode box onto the right-hand weld bolt on the floor, as shown.
- 30 Plug the wiring harness connector into the car's connector.
- 31 Place the installation instructions inside the car.
- 32 On occasions when the hook unit is not fitted, it must be stored in the spare wheel and secured with the strap supplied. The strap must be put through two of the holes in the wheel rim and round the hook unit.



Wiring diagram, wiring harness with diode box

The table refers to connector 258 on the car.

Pin nr	
1	Left-hand direction indicator
2	Rear fog light (on/off)
3	Rear fog light
4	Right-hand direction indicator
5	Right-hand rear light
6	Brake lights
7	Left-hand rear light
8	Reversing lights
9	+30
10	+54