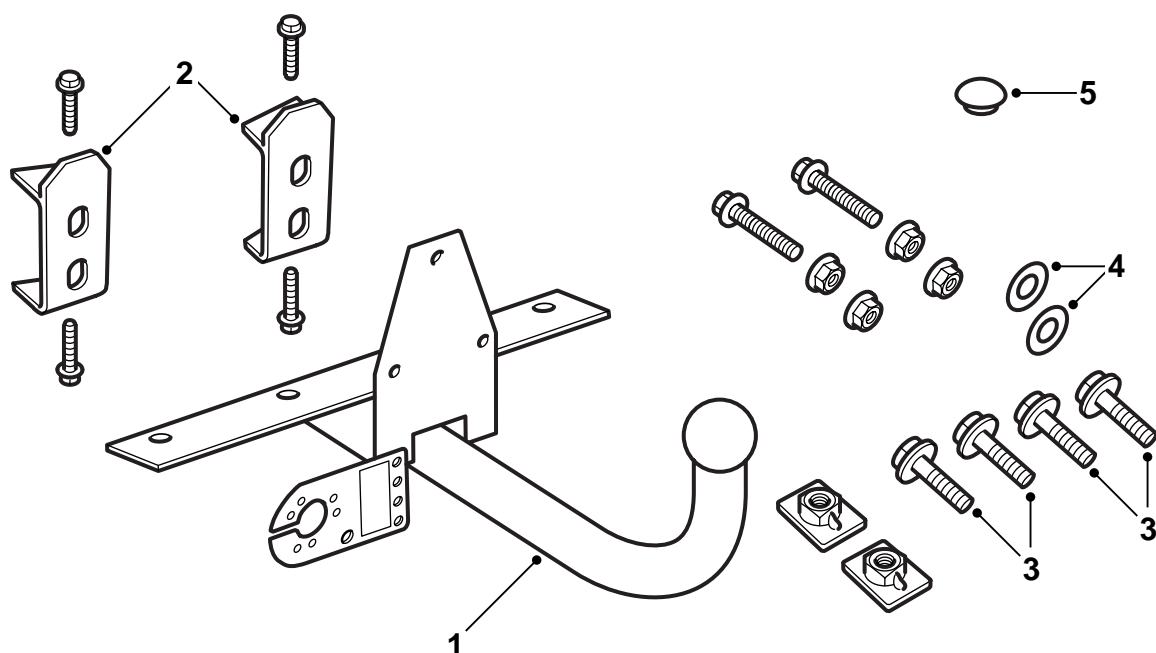



SAAB
**MONTERINGSANVISNING · INSTALLATION INSTRUCTIONS
MONTAGEANLEITUNG · INSTALLATIONS DE MONTAGE**

Saab 9-5 5D

Towing hooked, fixed

Accessories Part No.	Group	Date	Instruction Part No.	Replaces
400 110 565 400 110 615	8:60-28	Apr 98	48 25 535	



E980A050

- 1 Hook unit
- 2 Reinforcement
- 3 Bolts
- 4 Seal
- 5 Rubber plug

400 110 565 (Saab part no. 48 25 501) for cars **without level control**.

400 110 615 (Saab part no. 48 27 853) for cars **with level control**.

Note

Always check with national legal requirements and regulations for fitting towing hooks. Make sure that they are fulfilled.

The towing hook complies with 94/20/EEC requirements.

Maximum permitted trailer load:

Braked trailer: 1800 kg

Unbraked trailer: 50% of the weight of the towing vehicle in running order or max. 750 kg (1650 lbs).

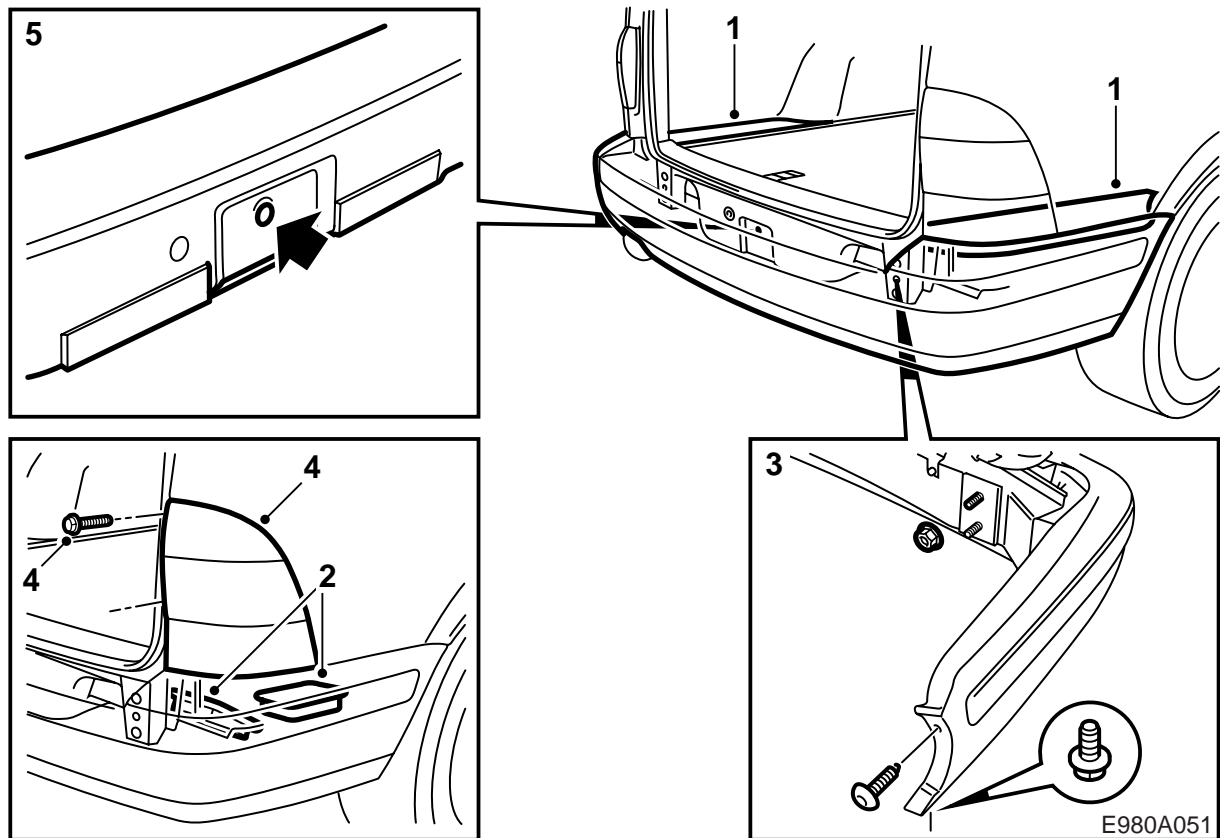
Max. permitted load on hook: 75 kg

Total weight: 8.2 kg

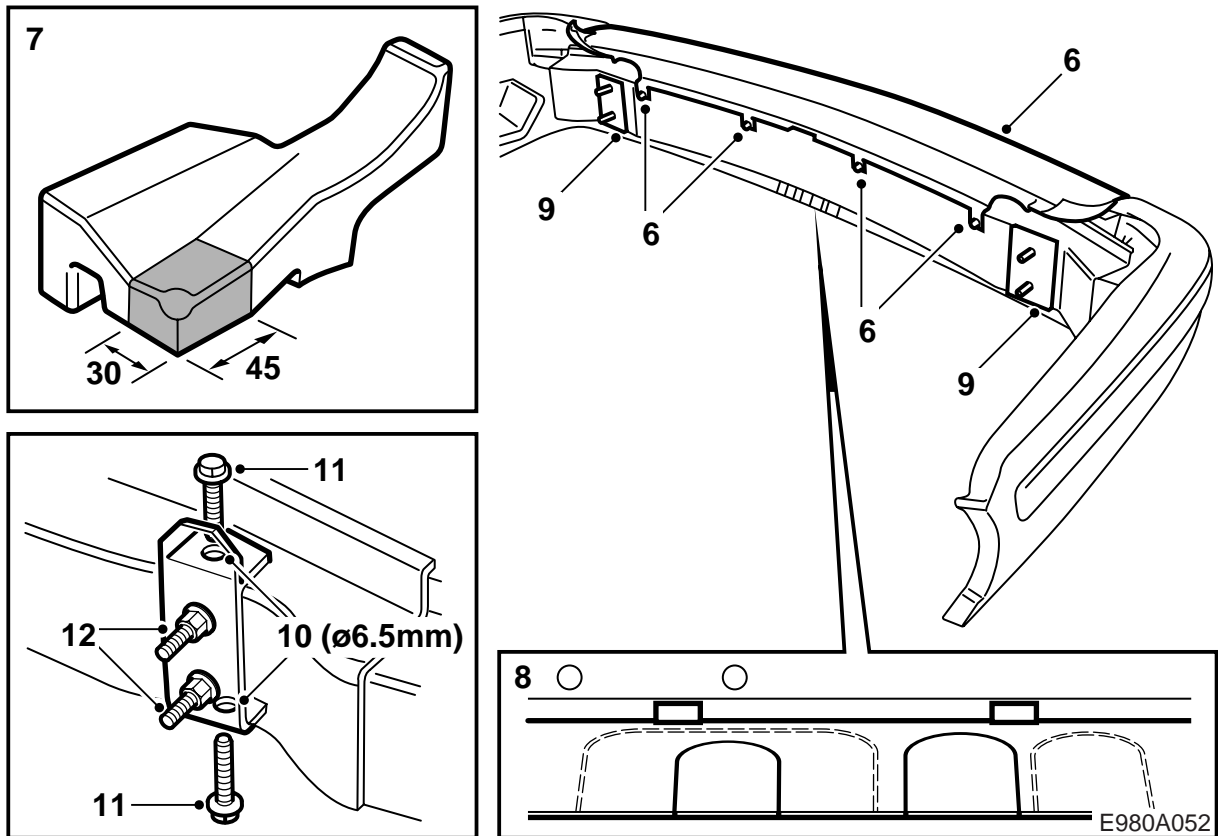
Important

The car must be inspected by the relevant authorities after fitting a towing hook. Produce these directions at the inspection.

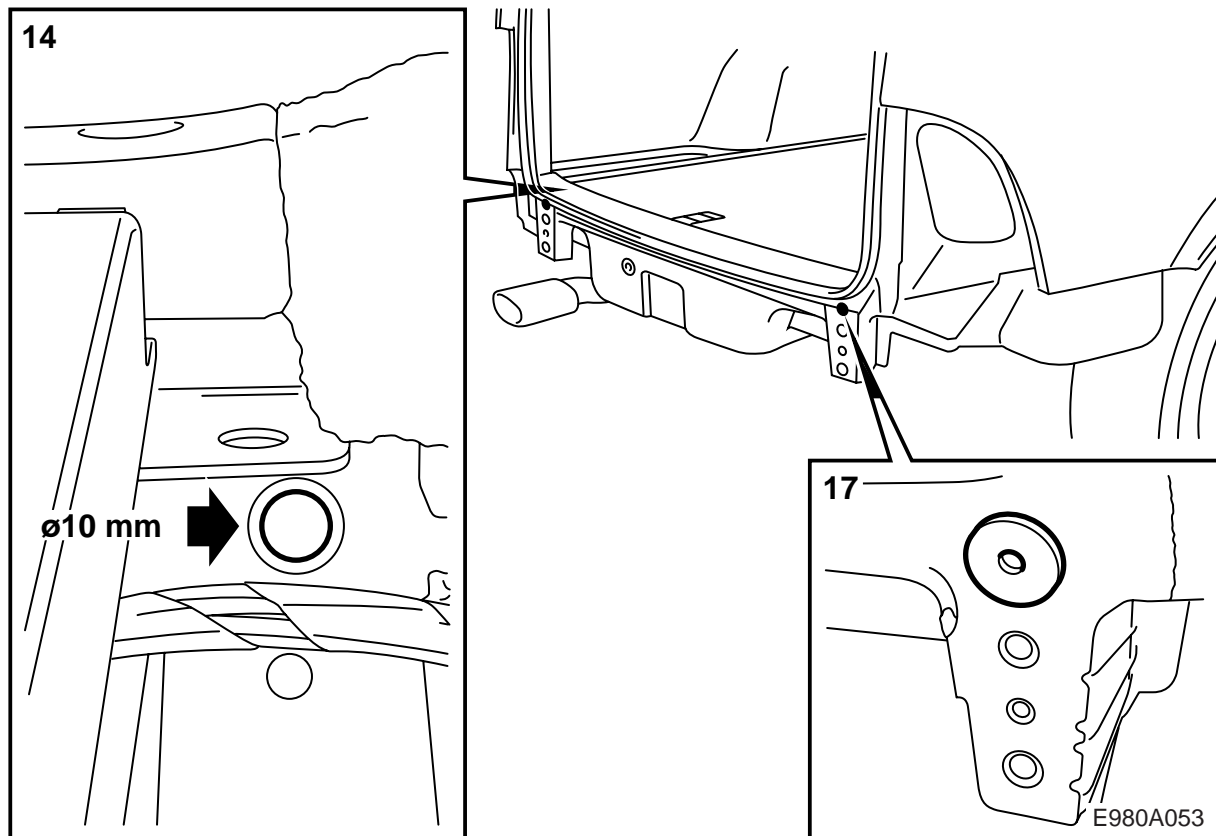
Fit and connect the wiring harness as directed in the instructions supplied with it.



- 1 Undo the outer sections of the luggage compartment floor.
- 2 Lift up the storage box and pull off the foam blocks (2 on each side) at the back of the body.
- 3 Remove the bumper.
- 4 Remove the rear lights by loosening the two covers over the screws, removing the screws and detaching the fasteners at the front of the lamps.
- 5 Remove the towing lug and fit the rubber plug.



- 6 Slightly loosen the screws on the upper part of the bumper shell and carefully pull the shell away from its snap fasteners.
- 7 Remove the bumper shell supports and cut out the left-hand support as illustrated and the right-hand support correspondingly.
- 8 Cut along the inner marking in the bumper shell for the towing hook and the marking for the wiring harness terminal box. Also remove the tab remaining on the bottom of the bumper between the cut-outs for the hook and the terminal box.
- 9 Remove the spacers from the bumper rail and fit the reinforcement instead. Tighten the four bumper retaining nuts to secure the reinforcement.
- 10 Drill the four holes in the bumper rail with a 6.5 mm drill.
- 11 Fit the tap screws.
Tightening torque 25 Nm (20 lbf ft).
- 12 Remove the nuts and position the bumper shell supports.

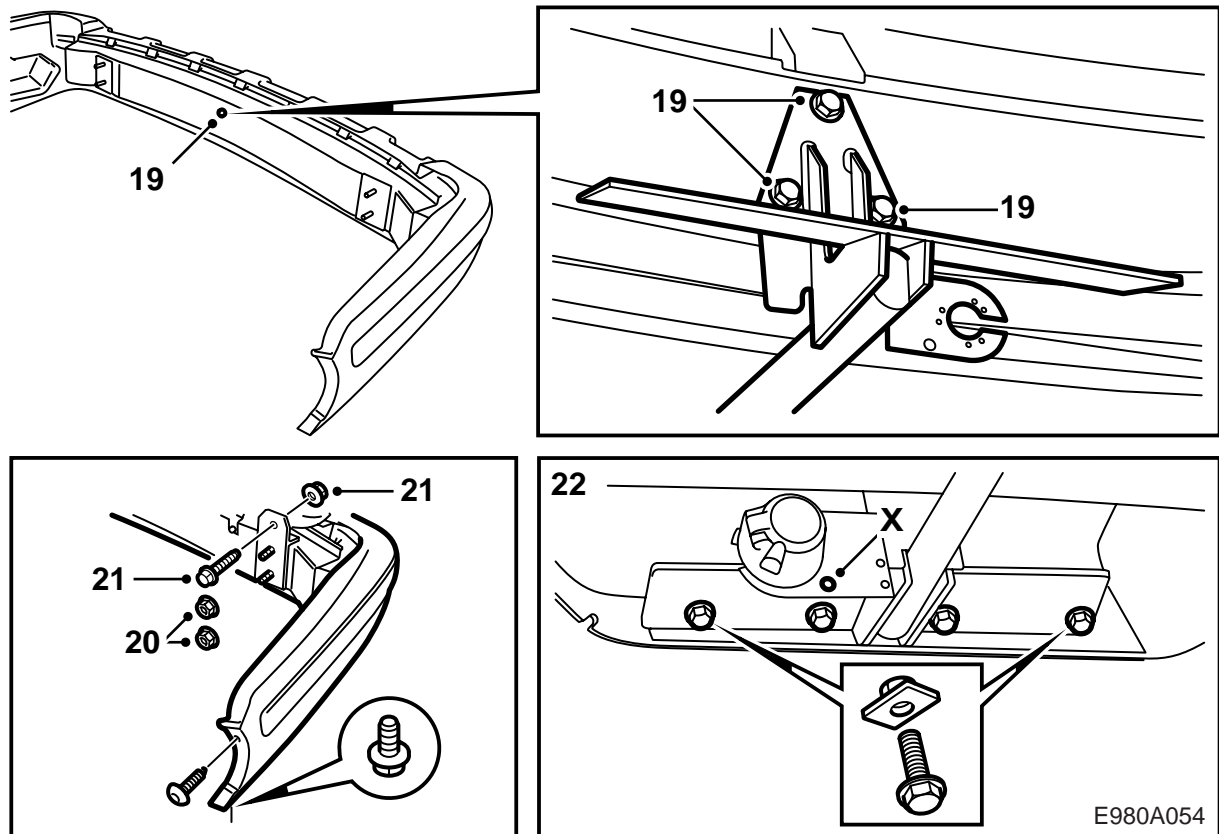


- 13 Scrape off the sealant from the body where the bumper reinforcement will make contact, position the bumper and fit it to the body with the top two nuts.
- 14 Drill 10 mm holes in the sleeves, the rear end panel and the reinforcement.

Important

Take care not to damage the car's wiring harness.

- 15 Remove the bumper and clean all the drill cuttings from the luggage compartment.
- 16 Deburr the holes and remove any loose cuttings and flakes of paint.
- 17 Fit the seals onto the body (self-adhesive) and apply cavity sealant Terotex HV 400 (part no. 30 15 930) to the interior surfaces. Apply anti-corrosion agent to the surfaces from which the body sealant was scraped as well.
- 18 Fit the selected wiring harness according to the instructions supplied with it.



X Eyebolt for fastening the trailer/caravan safety chain

19 Remove the screw in one of the holes in the bumper rail and fit the hook unit to the bumper.

Tightening torque 40 Nm (30 lbf ft).

20 Position the bumper and fit it to the car with four nuts.

Tightening torque 40 Nm (30 lbf ft).

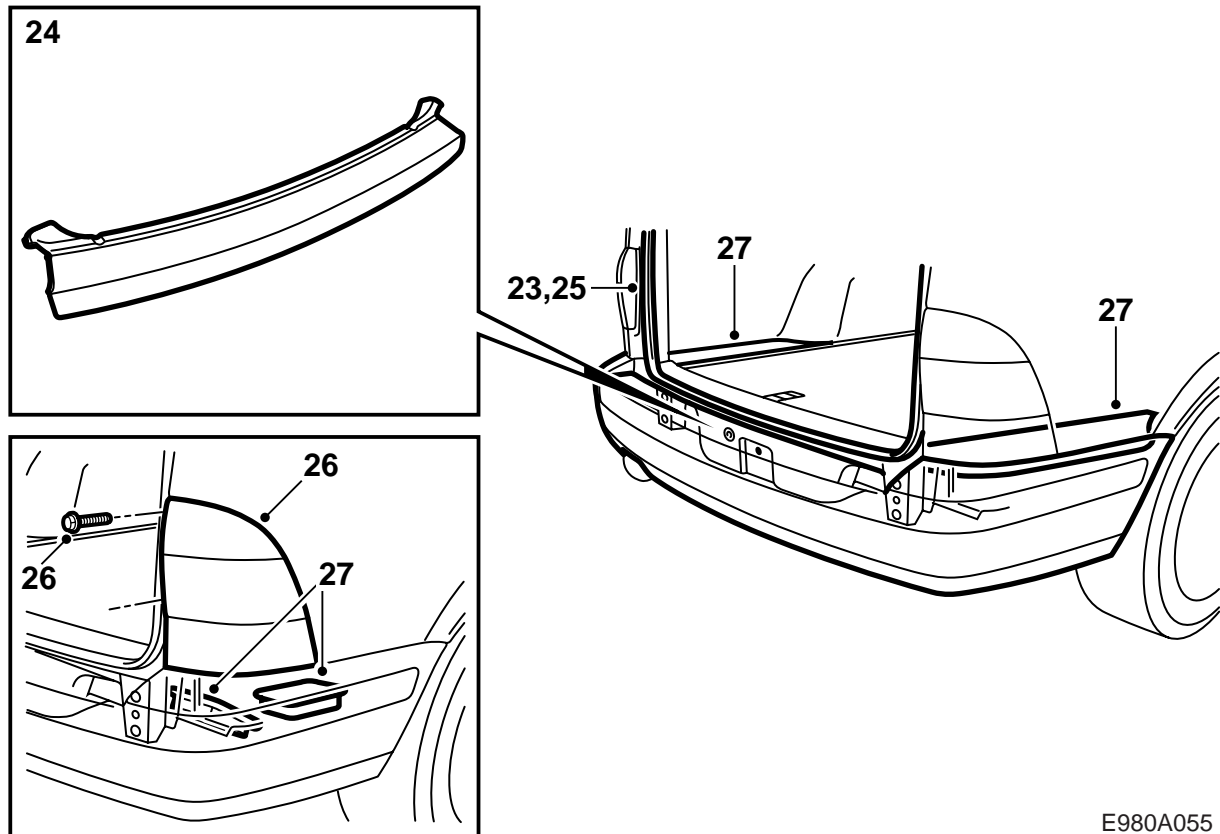
Replace the screw by the wheel housing.

21 Screw the reinforcement to the car.

Tightening torque 40 Nm (30 lbf ft).

22 Fit the screws and nut plates securing the hook to the body.

Tightening torque 40 Nm (30 lbf ft).



E980A055

- 23 Pull off the bottom of the sealing strip around the luggage compartment opening.
- 24 Replace the upper section of the bumper shell by first positioning it on the four bolts on the bumper member. Then press on the upper section with the hooks over the edge. Tighten the bolts.
- 25 Put back the sealing strip around the luggage compartment opening.
- 26 Fit the rear lights.
- 27 Fit the foam blocks over the bumper mountings in the luggage compartment and put back the storage box and outer sections of the luggage compartment floor.
- 28 Place the installation instructions inside the car.