



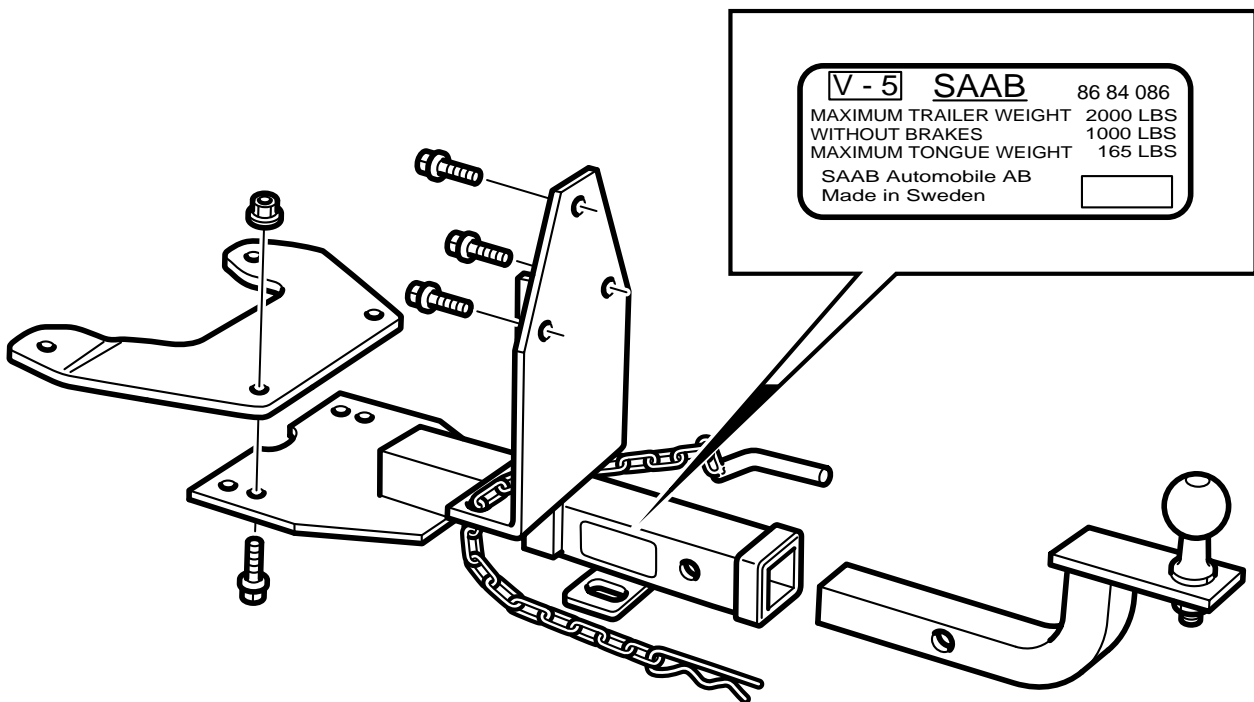
SAAB

**MONTERINGSANVISNING · INSTALLATION INSTRUCTIONS
MONTAGEANLEITUNG · INSTALLATIONS DE MONTAGE**

Saab 900 M94-M98, 9-3

Tow bar

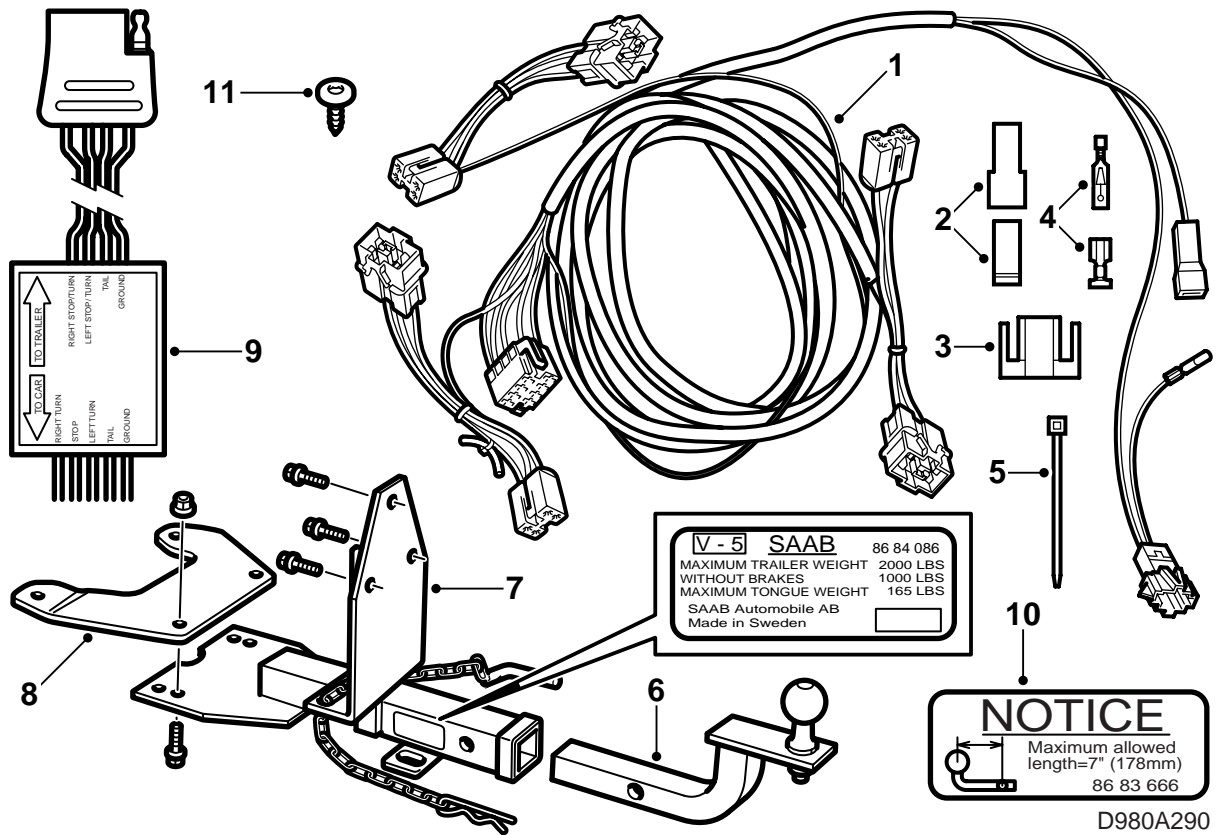
Accessories Part No.	Group	Date	Instruction Part No.	Replaces
400 110 664	8:60-19	Jul 99	49 22 001	86 84 615 Oct 97



NOTICE

Maximum allowed length=7" (178mm)
86 83 666

D980A009



The kit contains

- 1 Wiring harness
- 2 1-pin connector (x2)
- 3 2-pin connector
- 4 Cable terminal (x2)
- 5 Cable tie (x5)
- 6 Ball assembly
- 7 Mounting plate
- 8 Front bracket
- 9 Wiring harness with diode box
- 10 Information label
- 11 Screw
- 12 Protective bag
- 13 Set of nuts and bolts
- 14 Instructions

⚠ WARNING

All other ways to install the wiring harness, will destroy the ICE-unit.

Note

Always check national legislations and requirements applicable to the installation of tow bars. Ensure that these are complied with.

Maximum permissible trailer weight:

Trailer with brake: 910 kg (2000 lbs)

Trailer without brake: 455 kg (1000 lbs)

Max trailer coupling load: 75 kg (165 lbs)

Weight complete: 8,8 kg (6.5 lbs)

The trailer towing unit has been designed and tested in accordance with testing standard V-5 and is adapted for Class 1.

 **WARNING**

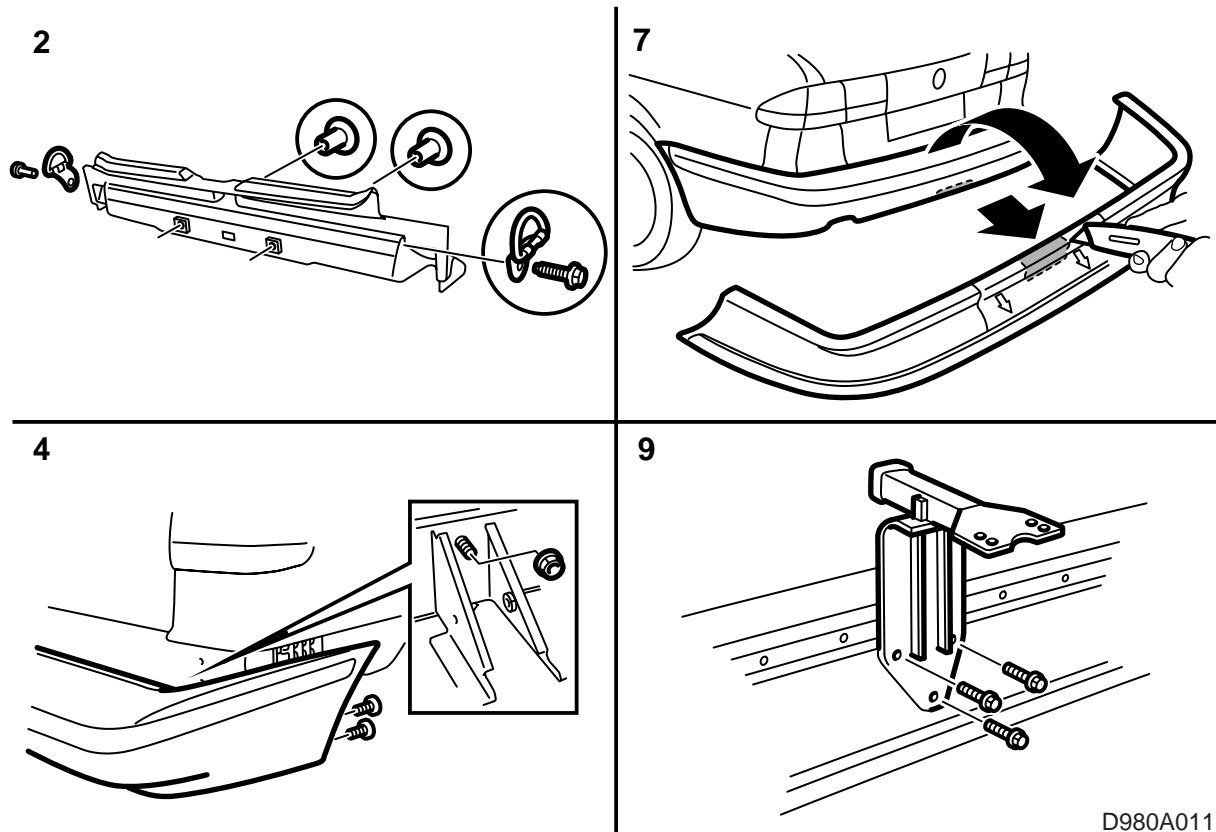
Carefully scrape away the underbody protection compound from all contact surfaces between the tow bar and the body.

Note

After all the holes have been drilled, the swarf must be blown away and the holes given with anti-corrosive treatment.

 **WARNING**

The tow bar wiring harness must be installed and connected in accordance with the instructions supplied with the wiring harness. All other ways to install the wiring harness, will destroy the ICE-unit.



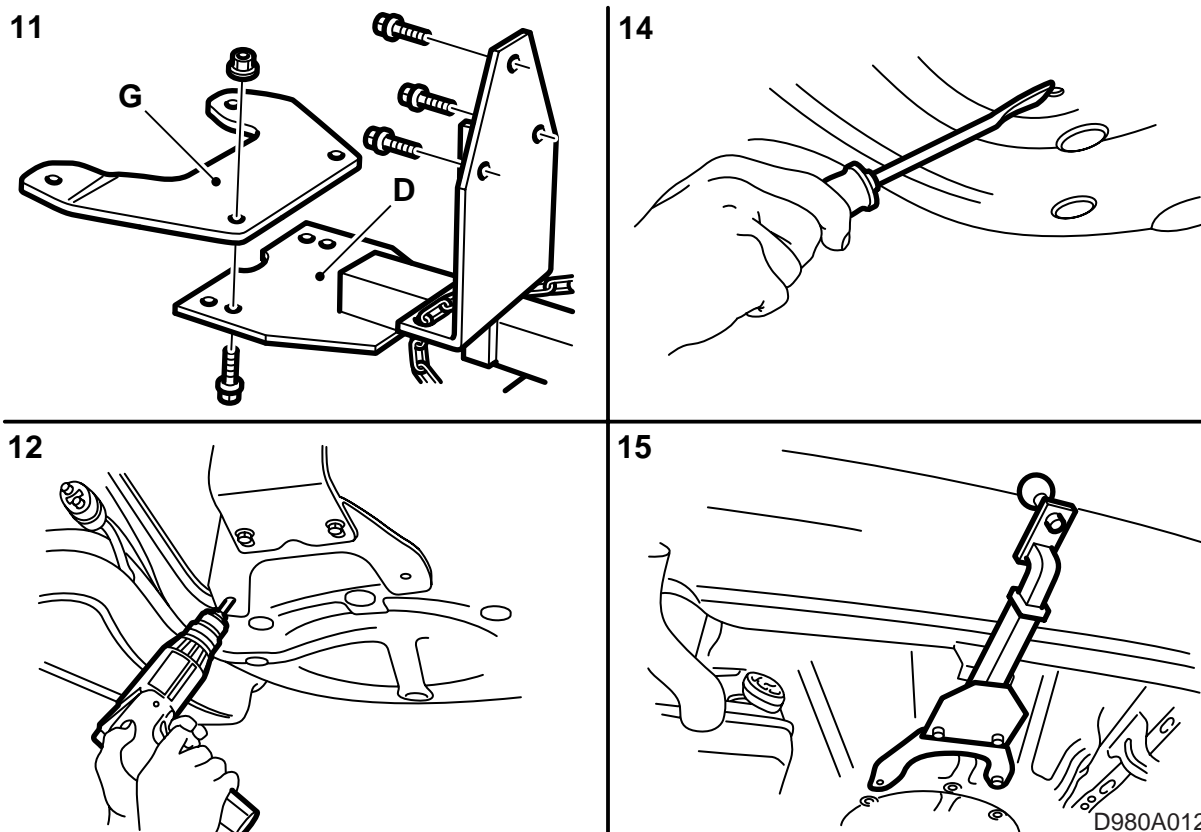
D980A011

- 1 Remove the spare wheel from the spare wheel well.
- 2 Remove the two screws and the two clips securing the scuff plate and load-securing eye-bolts in the luggage compartment.
- 3 Remove the scuff plate.
- 4 Remove the rear bumper retaining nuts and bolts and lift off the bumper.
- 5 Remove the bolt fitted in one of the three holes at the rear of the bumper.
- 6 **Saab 900 M94-98:** Cut out the template. Align the template and use tape to secure it to the bumper. The centre lines of the bumper and the template should coincide.

Important

No opening need to be made in the bumper for the Saab 9-3.

- 7 **Saab 900 M94-98:** Using a sharp knife, make a **shallow** cut in the bumper **through the template's** cutting line.
- 8 **Saab 900 M94-98:** Remove as marked.
- 9 Fit the towing attachment by means of three bolts to the rear bumper.
Tightening torque 40 Nm (30 lbf ft).



10 Secure the bumper in place with four nuts.

Tightening torque 40 Nm (30 lbf ft).

Tighten the bolts at the wheel housing.

11 Join the front metal plate (G) to the retaining plate (D). Fit the bolts but do not tighten them.

12 Fit the front metal plate in place against the spare wheel well and tighten the bolts. Use the towing attachments as a drilling template and drill two 10 mm holes in the spare wheel well. Scratch the underseal compound round the area where the towing attachment makes contact with the body metal.

13 Remove the front metal plate.

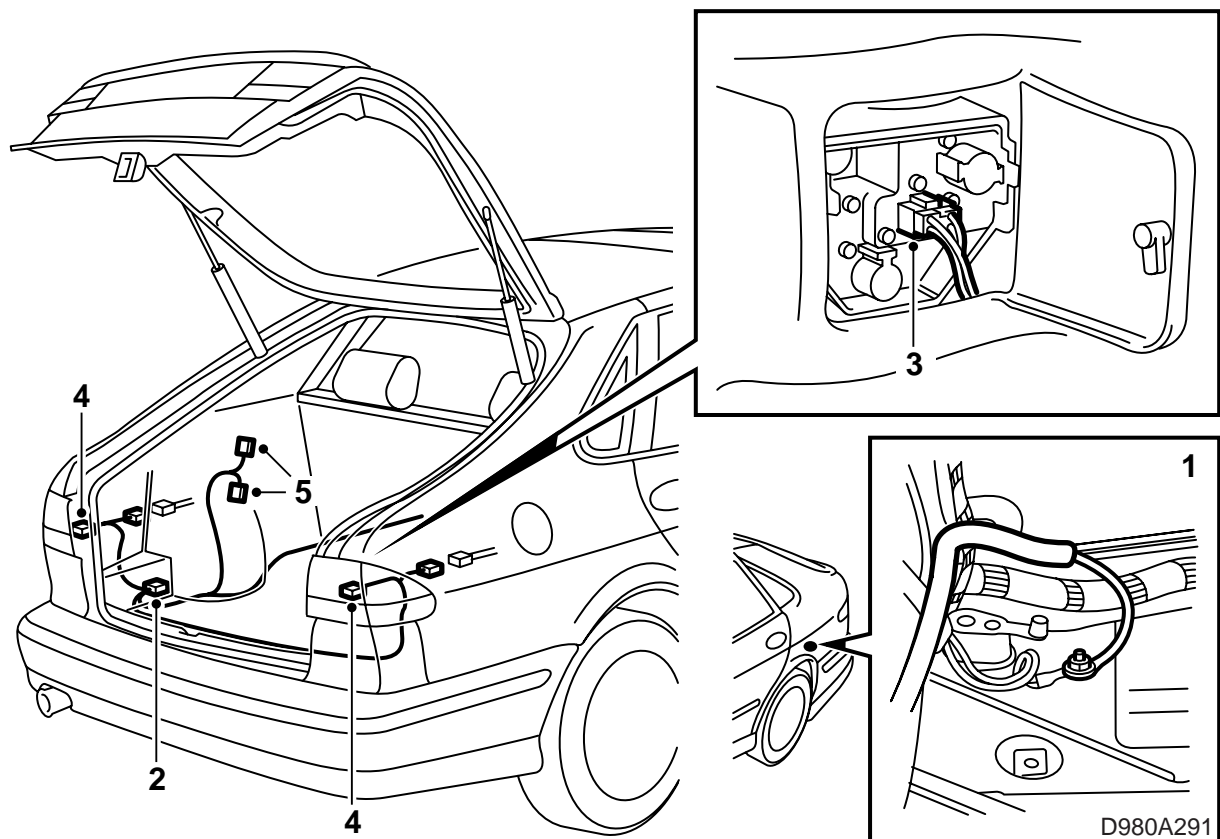
14 Carefully scrape away the underseal compound in the marked area. Clean the luggage compartment, removing all drilling cuttings. Apply anti-rust agent to the drill holes and the contact surface between towing attachment and body metal.

15 Join the front metal plate (G) to the retaining plate (D). Mount the towing attachment by means of two nuts and bolts through the two holes drilled in the spare wheel well. Fit the bolts from inside the luggage compartment.

Tightening torque 50 Nm (37 lbf ft).

Tighten the bolts securing the front metal plate to the retaining plate.

Tightening torque 40 Nm (29.6 lbf ft).

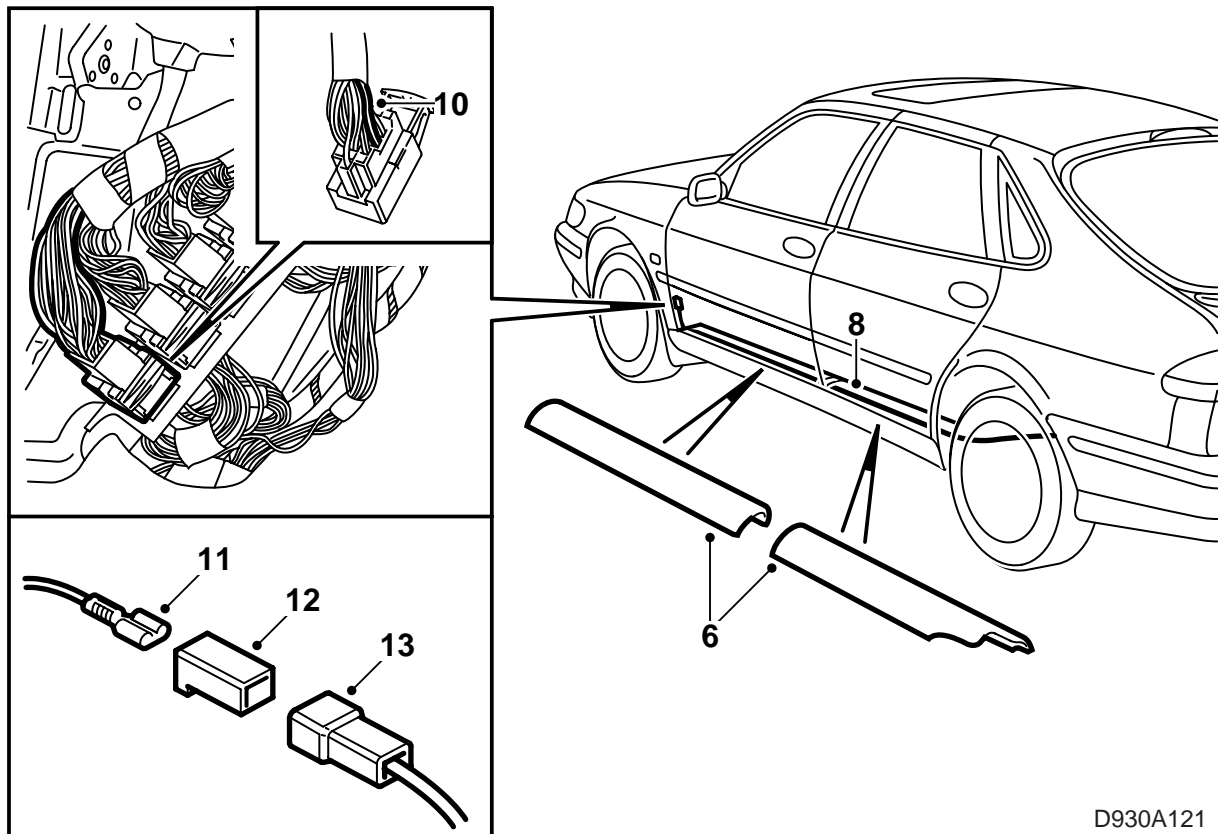


Initial conditions:

Rear sill plate removed.

Left-hand rear side trim removed.

- 1 Connect the ground lead to the grounding point under the left-hand rear light cluster.
- 2 Press the 8-pin connector onto the rear hitch wiring harness.
- 3 Unplug the connectors to the rear lamp clusters.
- 4 Plug the connector from the fitting kit with the part number sleeve to the left-hand rear light and the other connector from the same cable branching to the right-hand rear light.
- 5 Unplug the black 4-pin connector behind the left-hand wheel housing in the luggage compartment and plug in the other 4-pin connectors from the manoeuvre kit.



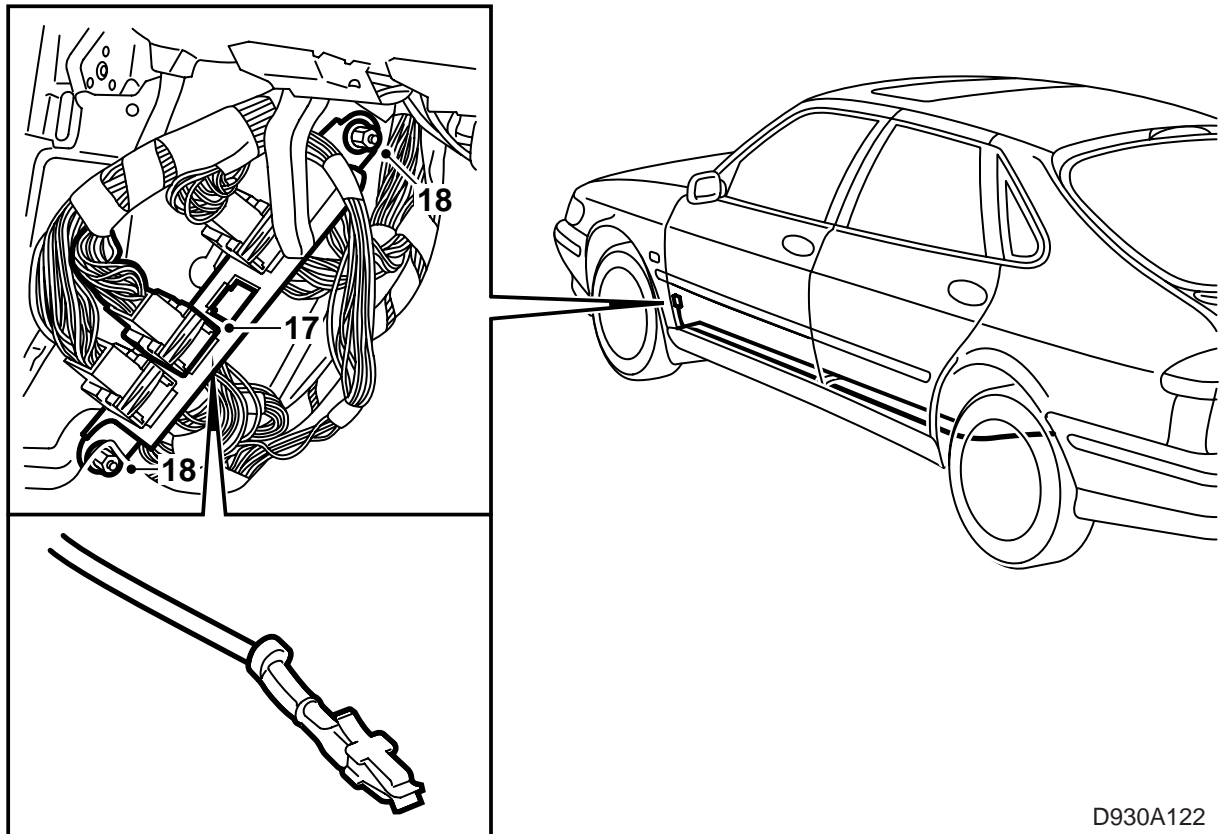
D930A121

- 6 Remove the left-hand sill plates and cover under the steering wheel.
- 7 **3D:** Remove the left-hand side trim on the rear seat.
- 8 Lay the wiring harness along the left-hand side of the car, from the luggage compartment to the dashboard.
- 9 Fold away the carpet from the connectors on the bracket below the A-pillar.

Proceed to step 17 for the Saab 9-3.

900

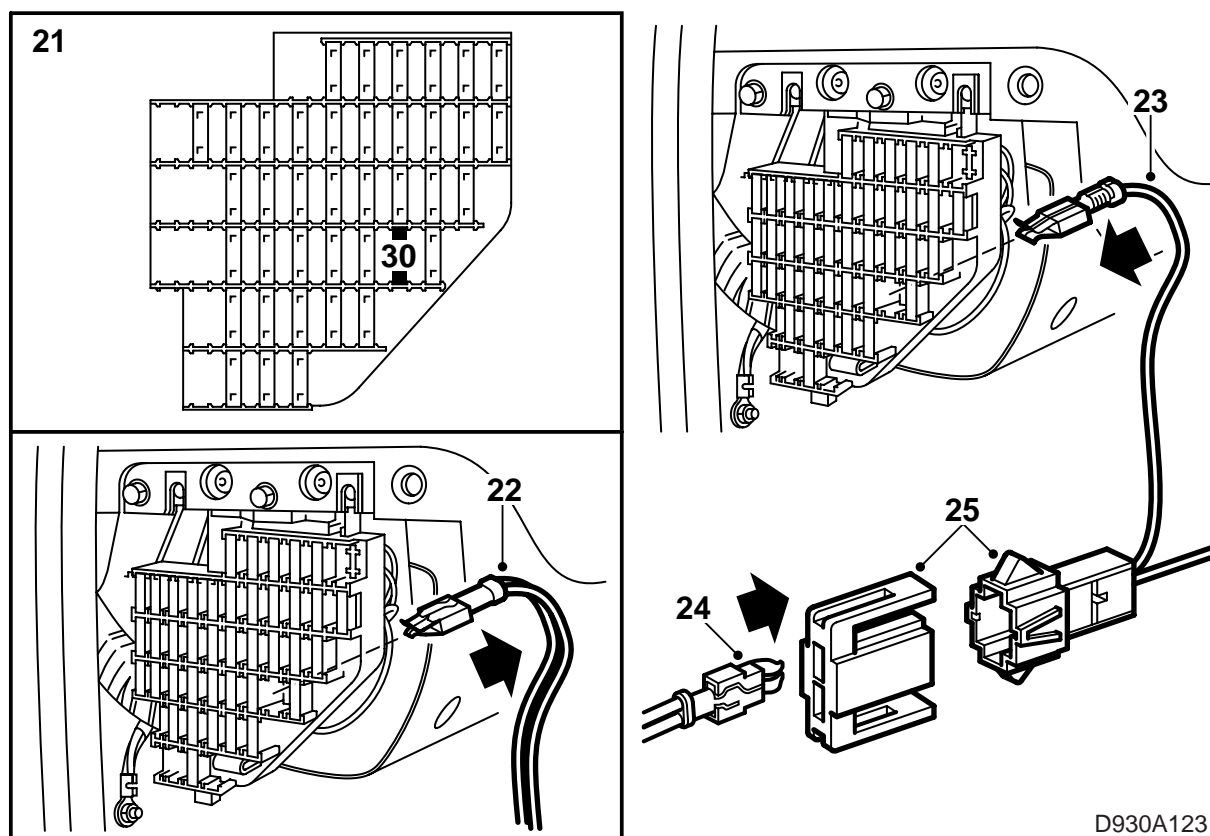
- 10 Cut off the VIOLET cable on pin 13 in the grey 33-pin connector as close as possible to the connector.
- 11 Strip about 15 mm and fit the cable sleeve from the kit onto the cable.
- 12 Fit the cable sleeve into the 1-pin sleeve connector.
- 13 Cut off the cable terminal on the kit's VIOLET cable.
- 14 Strip about 15 mm and fit the pin from the kit onto the cable.
- 15 Fit the pin into the 1-pin connector from the kit.
- 16 Press together the connectors.



D930A122

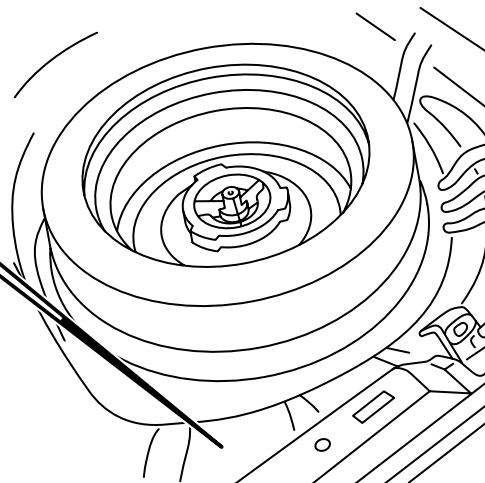
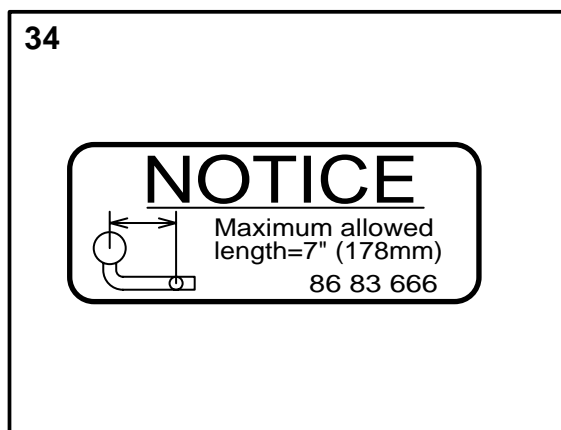
9-3

- 17 Unplug the blue 33-pin connector.
- 18 Undo the two nuts securing the connector bracket and fold up the bracket.
- 19 Connect the VIOLET cable from the kit to pin 7 in the blue connector on the connector bracket.
- 20 Screw on the connector bracket and plug in the 33-pin connector.



D930A123

- 21 Remove fuse 30 for the rear lights in the fuse holder on the side of the dashboard.
- 22 Disconnect the blue/white cable terminal.
- 23 Connect the blue/white cable in the kit.
- 24 Fit the disconnected cable terminal to pos. 1 in the kit's 2-pin connector.
- 25 Plug together the connectors.
- 26 Replace the fuse.
- 27 Check the function.
- 28 Replace all the disassembled parts.

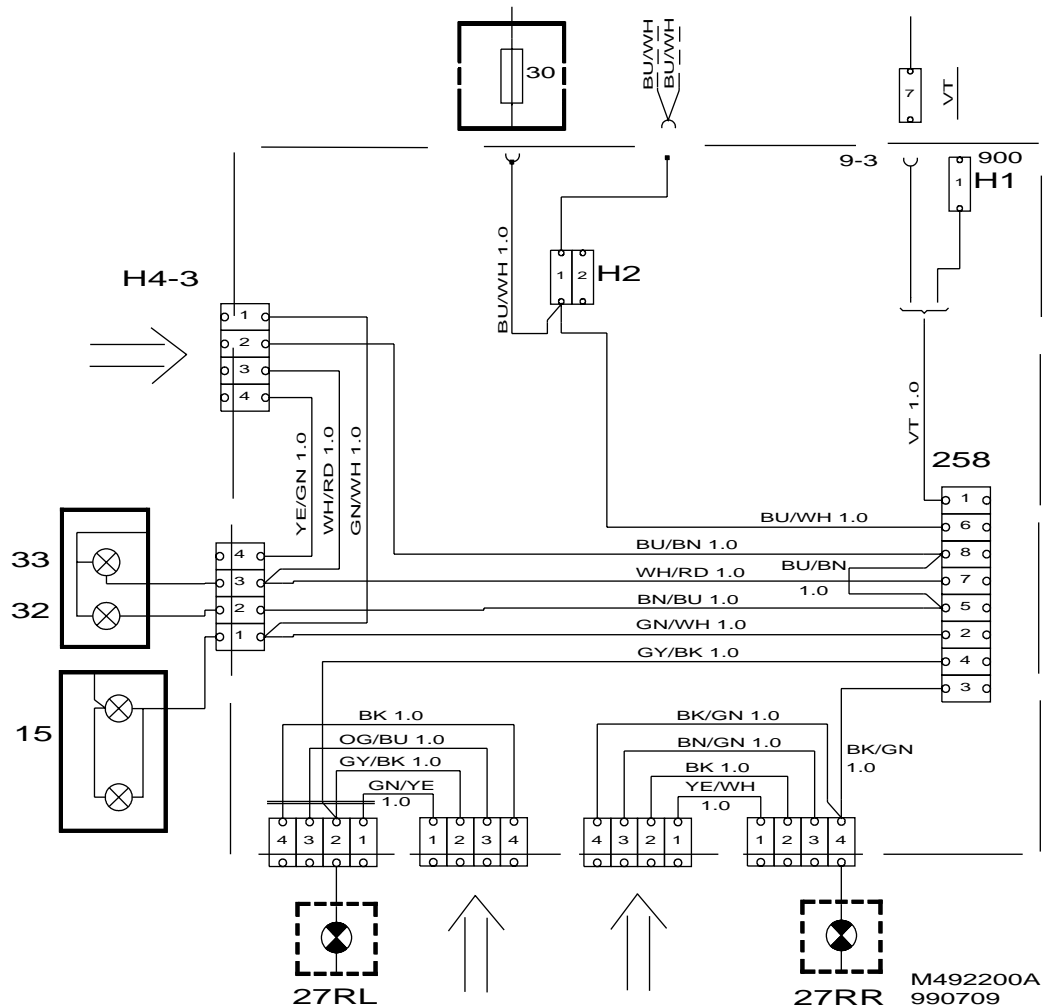


D980A292

- 29 Drill a 3,5 mm diameter hole, using the diode box as a template, in the depression pressed into the sheet metal below the rear light. Screw the diode box in place.
- 30 Fix the wiring in a suitable place by means of cable ties. The wiring harness with trailer connector should be run so that it comes out between the scuff plate and the carpet at the joining point by the rear light.
- 31 Check that operation is satisfactory and refit all parts that have been removed. Make sure that the cables are not damaged by any screw.
- 32 Fit the scuff plate and load-securing eyebolts in the luggage compartment.
- 33 Place the spare wheel in the spare wheel well.
- 34 Stick the information label next to the spare wheel well.
- 35 Place the assembly instructions in the car.

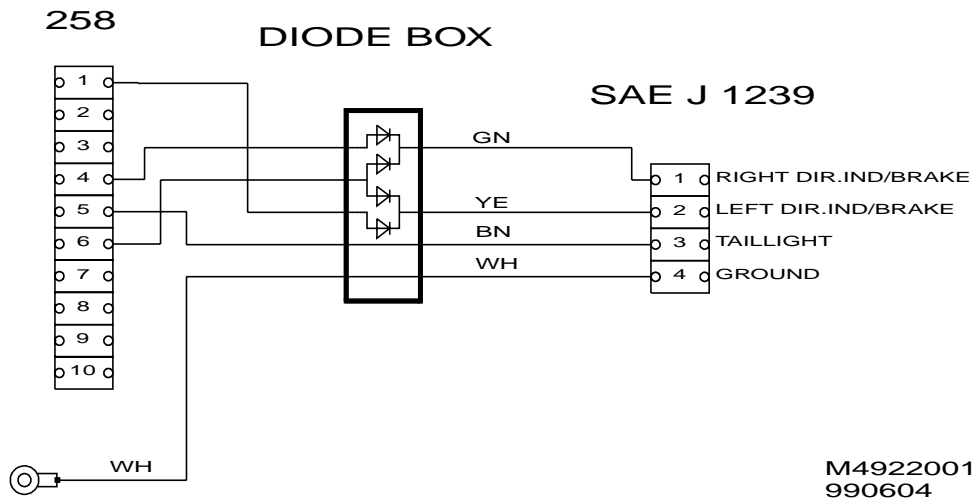
Wiring diagram, control

The fitting kit is indicated inside the dashed rectangle on the wiring diagram. The arrows show where the wiring harness connectors are connected.



Pos.nr	Name
15	Number plate lighting
27RL	Left rear direction indicator
27RR	Right rear direction indicator
32	Reversing lights
33	Rear fog lights
258	Connector for rear hitch wiring harness
H1	1-pin connector
H2	2-pin connector
H4-3	Black 4-pin connector behind left-hand wheel housing

Wiring diagram, wiring harness with diode box



Template, Saab 900 (not Saab 9-3)

