



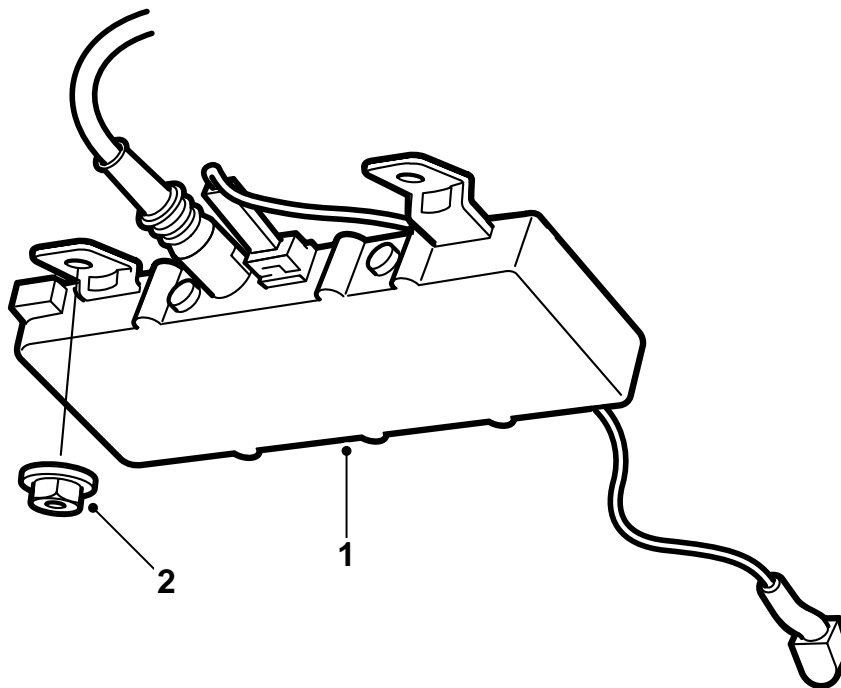
**SAAB**

**MONTERINGSANVISNING · INSTALLATION INSTRUCTIONS  
MONTAGEANLEITUNG · INSTALLATIONS DE MONTAGE**

## Saab 9-5 5D

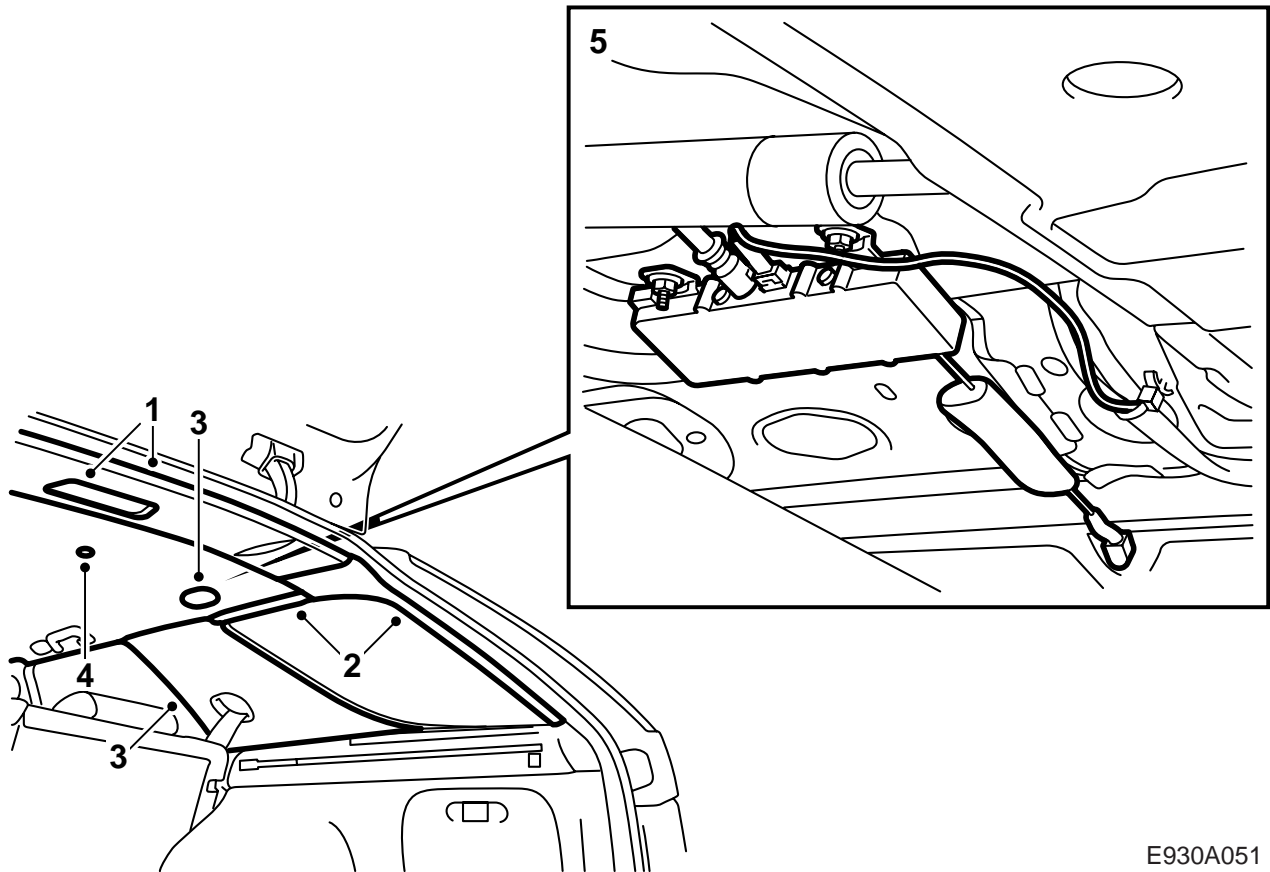
Aerial amplifier, single channel

Accessories Part No.	Group	Date	Instruction Part No.	Replaces
400 111 001	9:36-14	Jul 98	50 39 623	



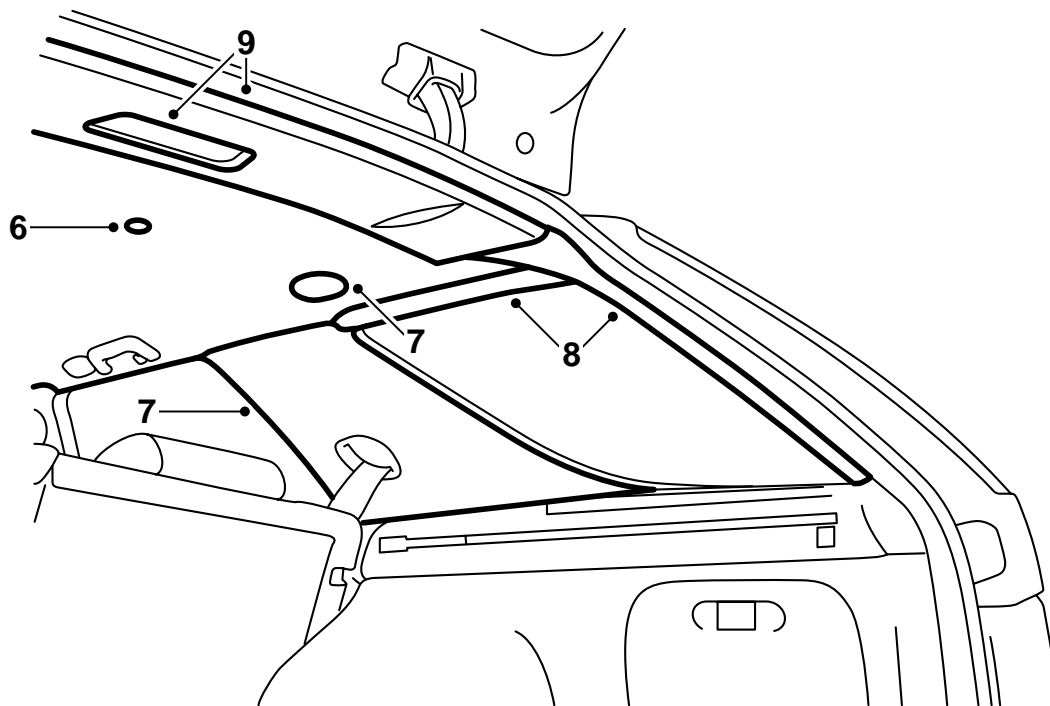
E930A050

- 1 Aerial amplifier
- 2 Nut (2)



E930A051

- 1 Detach the rear roof covering and unplug the connectors for the lighting.
- 2 Detach the D pillar trim and the roof covering above the rear side windows.
- 3 Remove the attachments in the roof covering above the rear side windows and detach the C pillar trim at the top.
- 4 Remove the two clips in the roof and carefully bend the headlining downwards.
- 5 Plug the cables into the aerial amplifier and mount it above the right-hand side window.



E930A052

- 6 Carefully offer up the headlining and fit the two clips in the roof.
- 7 Refit the C pillar trim and attachments above the rear side windows.
- 8 Fit the roof covering above the rear side windows and refit the D pillar trim.
- 9 Plug in the lighting connectors and fit the rear roof covering in place.