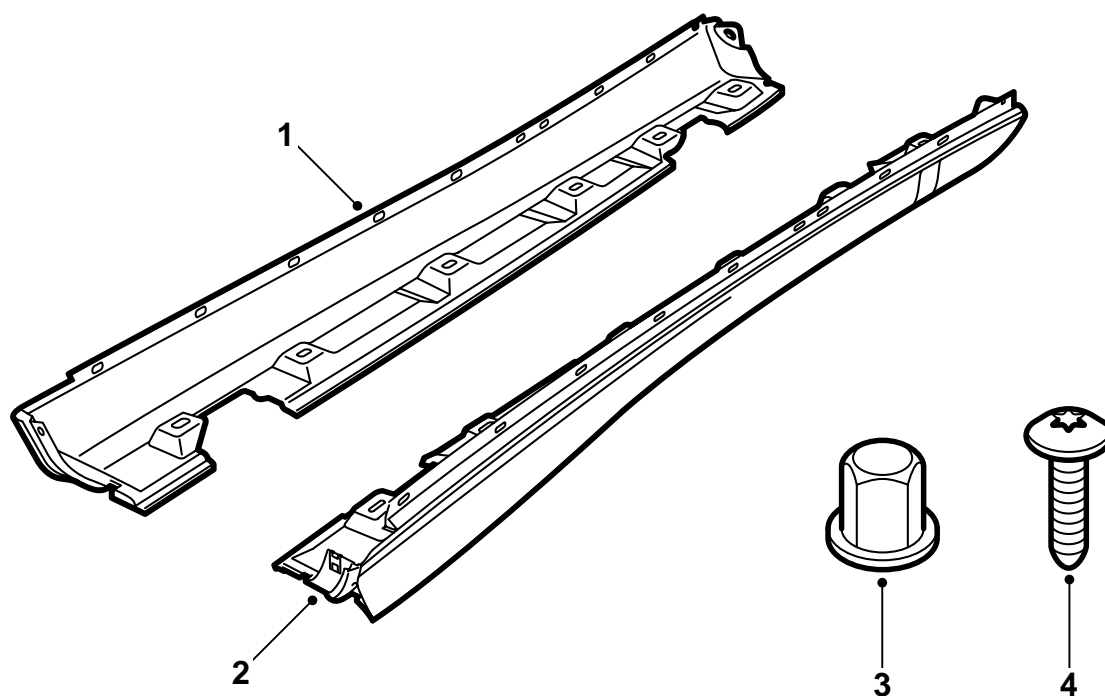


**SAAB****MONTERINGSANVISNING · INSTALLATION INSTRUCTIONS
MONTAGEANLEITUNG · INSTALLATIONS DE MONTAGE**

Saab 900 5D M94-, Saab 9-3 5D

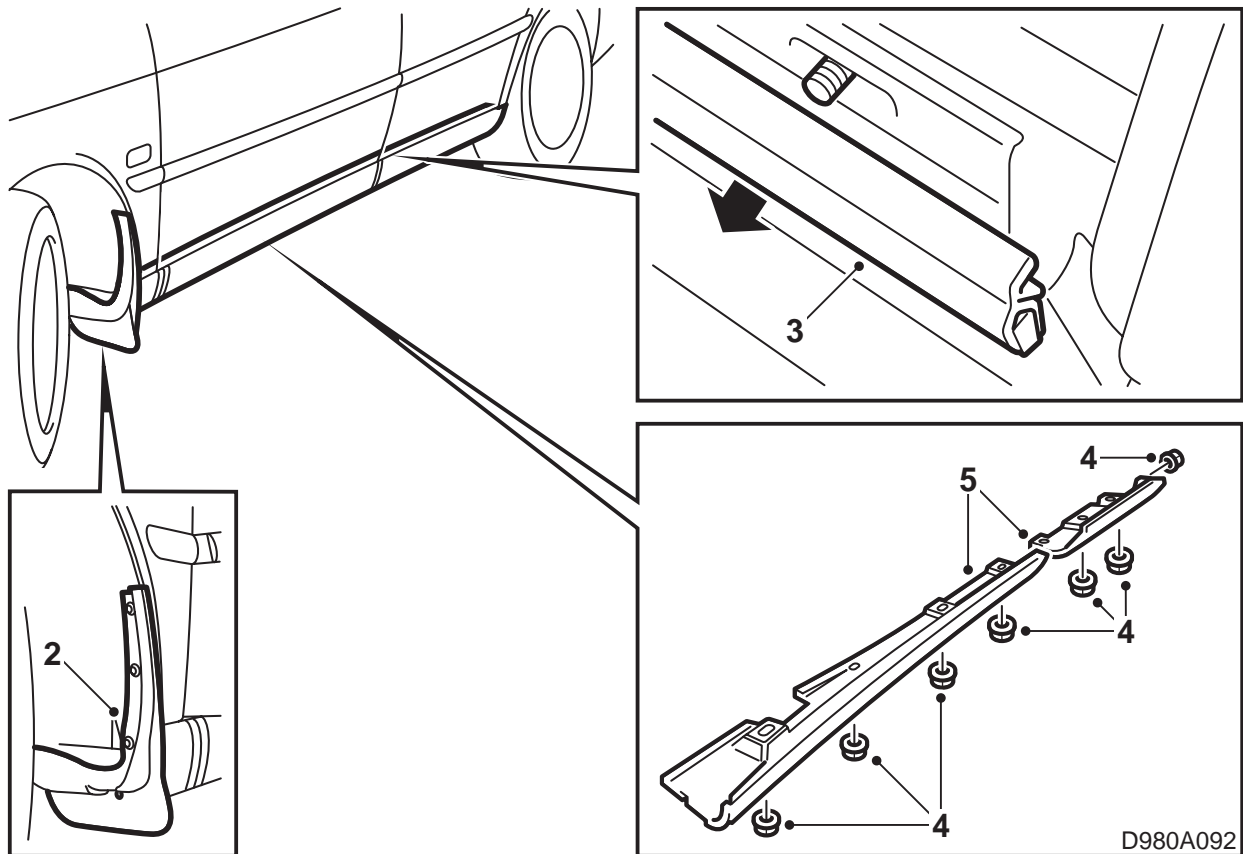
Sill covers

Accessories Part No.	Group	Date	Instruction Part No.	Replaces
400 111 191	9:84-05	Jun 00	49 59 136	49 59 136 Aug 98



D980A311

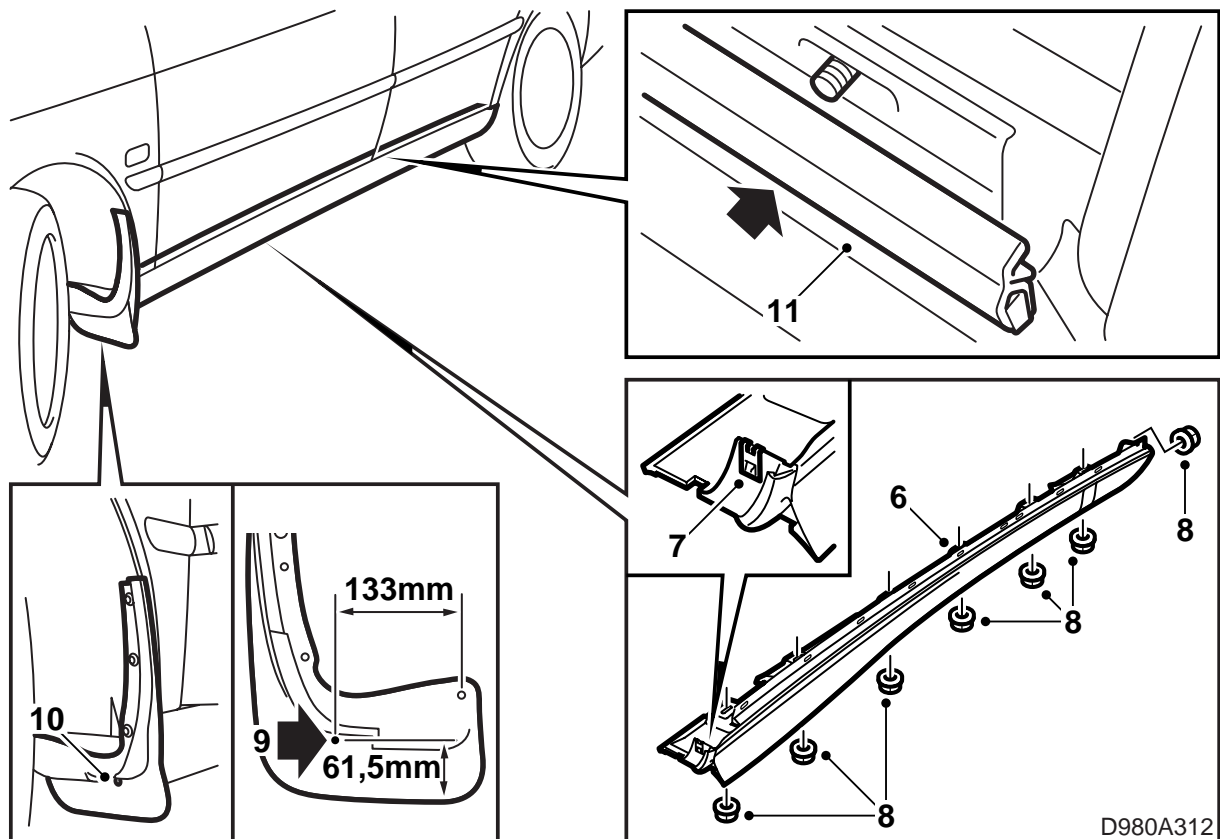
- 1 Sill cover, RH (1 pc.)
- 2 Sill cover, LH (1 pc.)
- 3 Plastic nut (14 pcs.)
- 4 Screw (2 pcs.)



The installation instructions describe fitting on the left-hand side of the car. Repeat the procedure on the right-hand side.

The sill covers are surfaced with black primer and are suitable for painting.

- 1 Paint the sill covers to match the body colour. See "Painting directions" in these installation instructions.
- 2 Remove the mudflap.
- 3 Remove the sill strip, being careful not to distort the metal rail in the strip.
- 4 Unscrew the plastic nuts securing the sill scuff plates.
- 5 Remove the clip on the front of the sill protector and remove the sill protector (2-pieces) from the weld screws starting with the front sill protector.



- 6 Position the new sill cover (1 section) over the weld screws.
- 7 Fit the clip to the front of the sill cover.
- 8 Screw on the plastic nuts securing the sill cover.
- 9 Wash the mudflap and locate the marking on the back. If there is no marking, use the dimensions shown in the illustration.
Drill a 6 mm hole at the marking on the mudflap.
- 10 Fit the mudflap to the wheel housing and the attachment on the sill cover using the new hole.
- 11 Fit the sill strip with the plugged section facing the rear and the rubber strip upwards.

Painting directions for primed PUR-RIM plastic

- Place the sill covers in such a way as they will not be distorted while painting.
- The temperature must not exceed +40°C (104°F).
- The sill covers are primed on delivery.
- Use clean gloves when handling the sill covers.

Drying time

70 minutes at 40°C (104°F)

Preparation

- For best results, apply pore filler first.
- Sand the primed surfaces thoroughly. Use 3M 1200 or 800 abrasive paper.