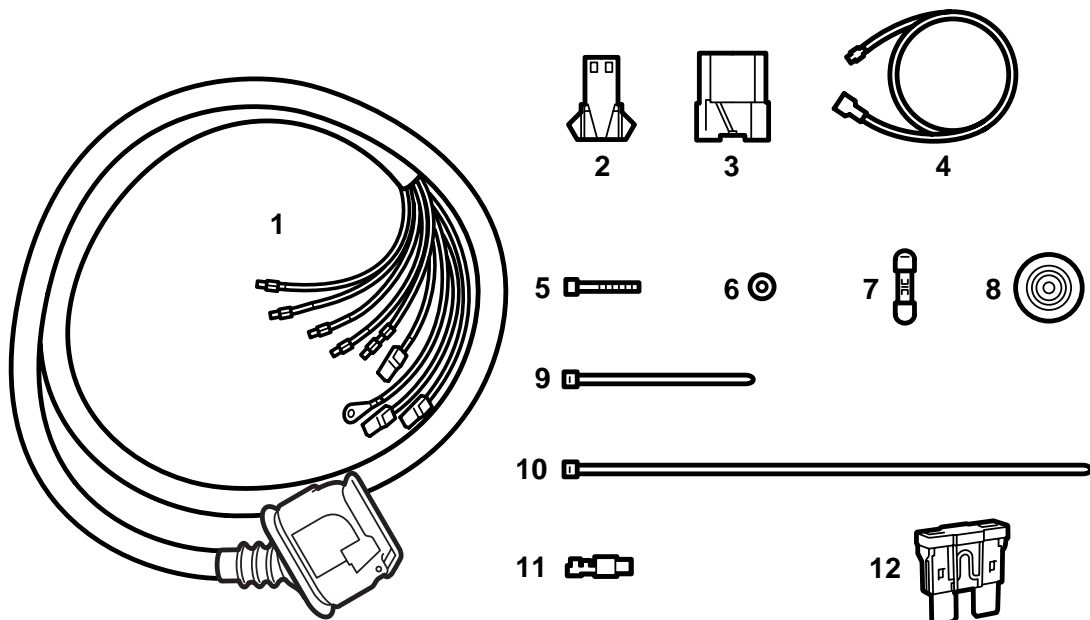


**SAAB****MONTERINGSANVISNING · INSTALLATION INSTRUCTIONS  
MONTAGEANLEITUNG · INSTALLATIONS DE MONTAGE****Saab 900 M94-, Saab 9000, Saab 9-3**

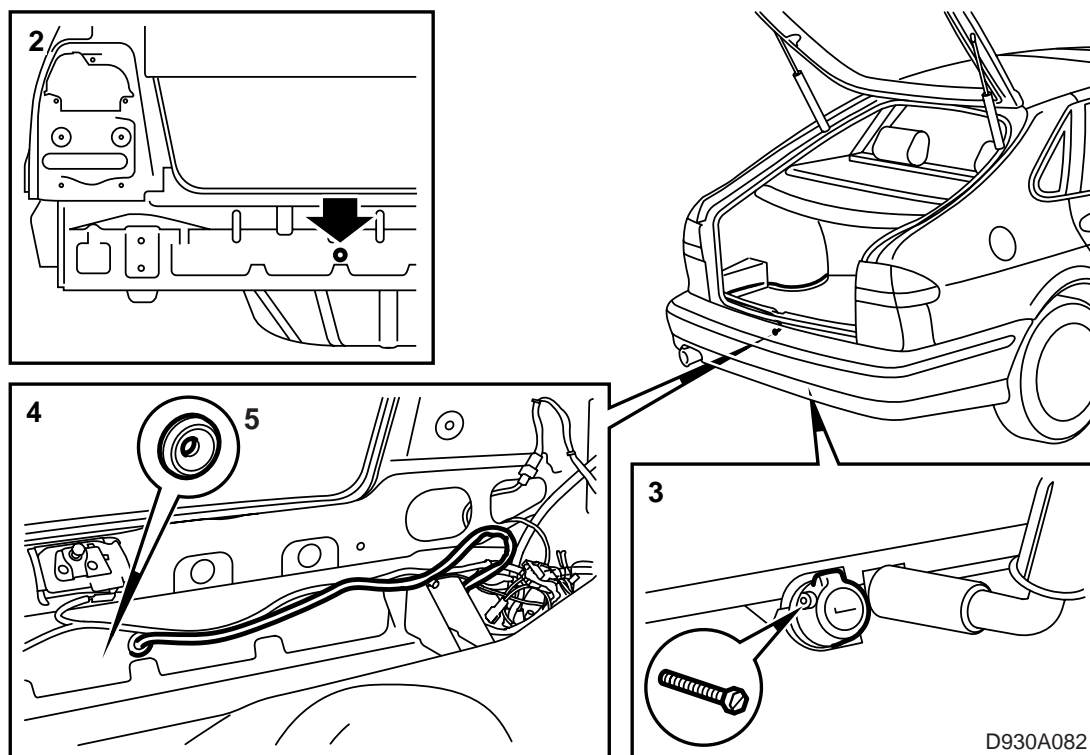
13-pin towbar connector

Accessories Part No.	Group	Date	Instruction Part No.	Replaces
400 112 082	3:71-08	Jul 99	86 79 227	75 03 98 Jul 93 51 06 711 Apr 99



D930A084

- 1 Towbar
- 2 2-pin connector
- 3 8-pin connector
- 4 Wiring harness for rear light
- 5 Screw (3x)
- 6 Nut (3x)
- 7 Shunt
- 8 Rubber grommet
- 9 Cable tie (2x)
- 10 Cable tie (3x)
- 11 Flat pin
- 12 Fuse 10A



### Saab 900 M94-, Saab 9-3

- 1 Fold aside the rear left side trim.
- 2 Drill a  $\varnothing$  25 mm hole with a hole saw as illustrated. Corrosion protect the hole.

**⚠ WARNING**

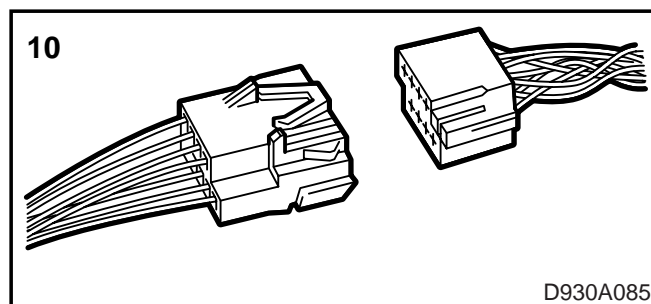
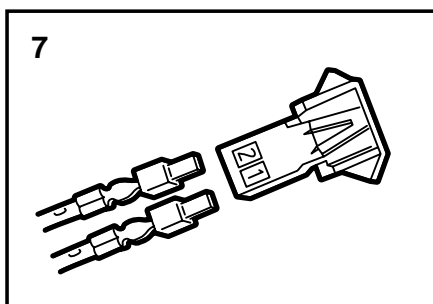
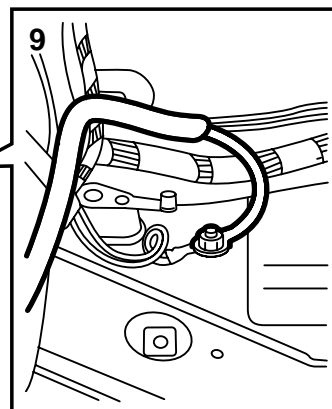
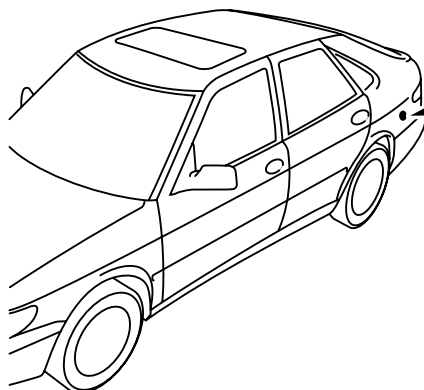
Take care with the wiring harness running along the rear plate.

Deburr the hole and remove loose cuttings and flakes of paint. Clean with Teroson Cleaner FL. Apply Standox 1K Füllprimer. Apply finishing paint. Apply Terotex HV 400 (part no. 30 15 930) inside cavities.

- 3 Screw the 13-pin connector to the holder on the towbar.
- 4 Insert the wiring harness into the luggage compartment harness
- 5 Fit the rubber grommet

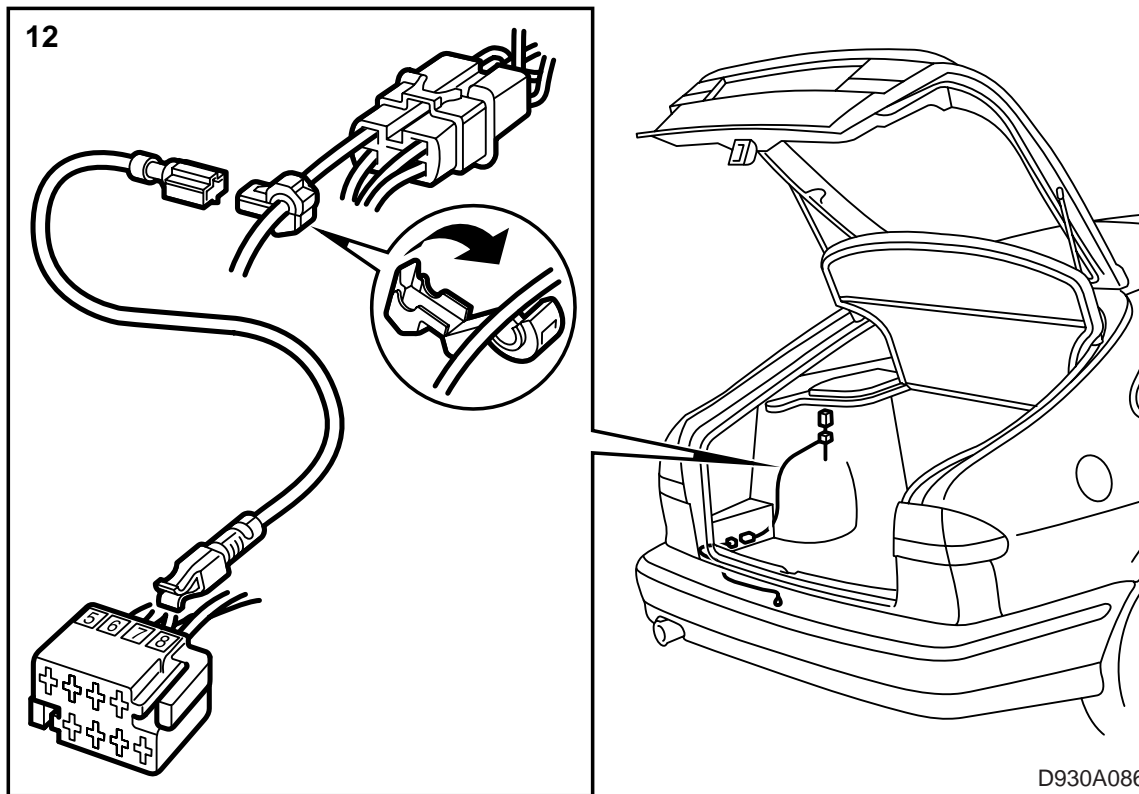
YE/RD	-
BK	-
BU/WH	4
BU/BN	5
BK	-
RD/WH	3
BU	6
WH	1
GN	2
GY	7
RD	-
RD/BK	-
YE	-

6

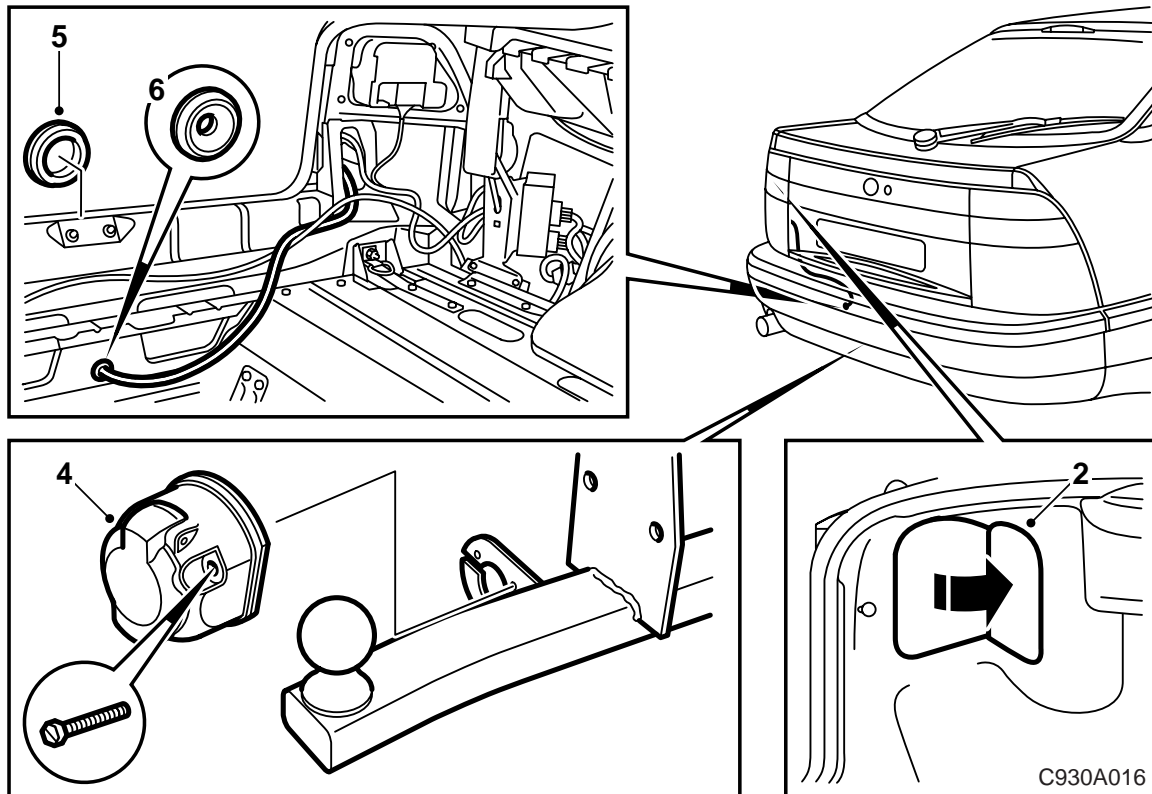


D930A085

- 6 Connect the wiring harness to the connector as illustrated.
- 7 Connect the thick RED cable and the RED/BLACK cable to the enclosed 2-pin connector, pin 1 and pin 2 for positive feed and charging respectively.
- 8 Tape the connector to the wiring harness if positive feed and charging is not being fitted.
- 9 Connect the black ground lead to the grounding point under the rear left lamp cluster.
- 10 Connect the 8-pin connector to the car's prepared harness.

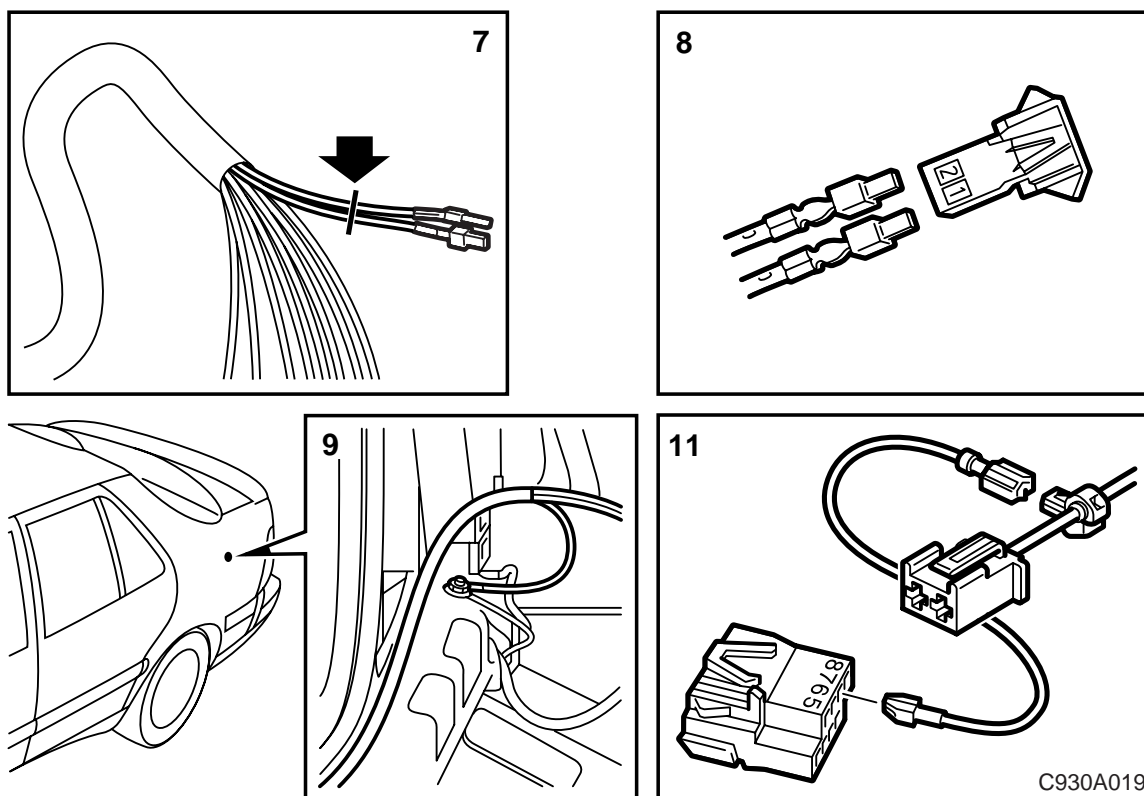


- 11 If a prepared wiring harness for a towbar has not been factory fitted, fit the BLUE/WHITE cable for the rear light.
- 12 Connect the cable to pin 7 in the 8-pin connector under the rear left lamp cluster.  
Shunt the WHITE cable to the 4-pin connector (pin 3 located above the rear left wheel housing).
- 13 Secure the harness in a suitable position with a cable tie.
- 14 **9-3:** Fit the fuse (10A) in the main fuse board at position B.
- 15 Check the function and refit all dismantled components.



### Saab 9000

- 1 Bend aside the rear left side trim.
- 2 Remove the protective cover over the rear left lamp cluster.
- 3 **5D**: Remove the rubber plug in the rear panel.
- 4 Screw the 13-pin connector to the holder on the towbar.
- 5 **5D**: Run the wiring harness into the luggage compartment.  
**4D, CS**: Run the wiring harness to the luggage compartment through the opening for the removable towing eye
- 6 Fit the rubber grommet.

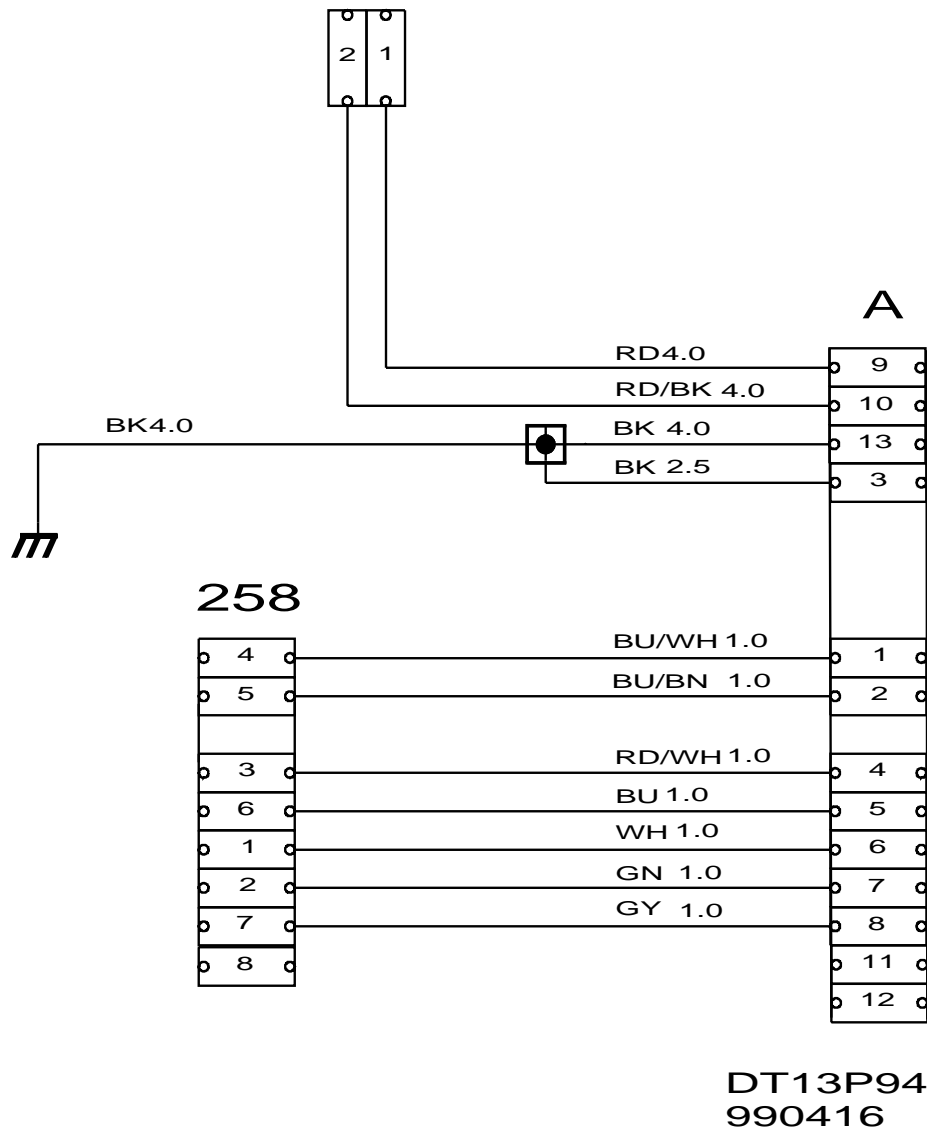


- 7 **-87**: Cut off the flat pins on the green cable (pin 2) and blue cable (pin 6). Strip and twist together the ends of the cables. Fit a new flat pin.

Connect the flat pin to pin 2 in the 8-pin connector.

- 8 Connect the thick RED cable and the RED/BLACK cable to the enclosed 2-pin connector, pin 1 and pin 2 for positive feed and/or charging respectively.
- 9 Connect the black ground lead to the grounding point under the rear left lamp cluster.
- 10 Connect the 8-pin connector to the car's prepared towbar wiring harness.
- 11 Connect the extra rear light cable (WHITE/BLUE) to the 8-pin connector at pin 7.
- Shunt the WHITE cable to pin 3 on the 10-pin connector behind the rear left wheel housing.
- 12 Check the function and refit all dismantled components.

## Wiring diagram, 13-pin towbar connector

**258**

Connector in car

**A**

1	Direction indicator LH
2	Fog lights
3	Ground
4	Direction indicator RH
5	Parking light RH
6	Brake lights
7	Parking light LH
8	Reversing lights
9	Power supply
10	Charging
11	-
12	-
13	Ground