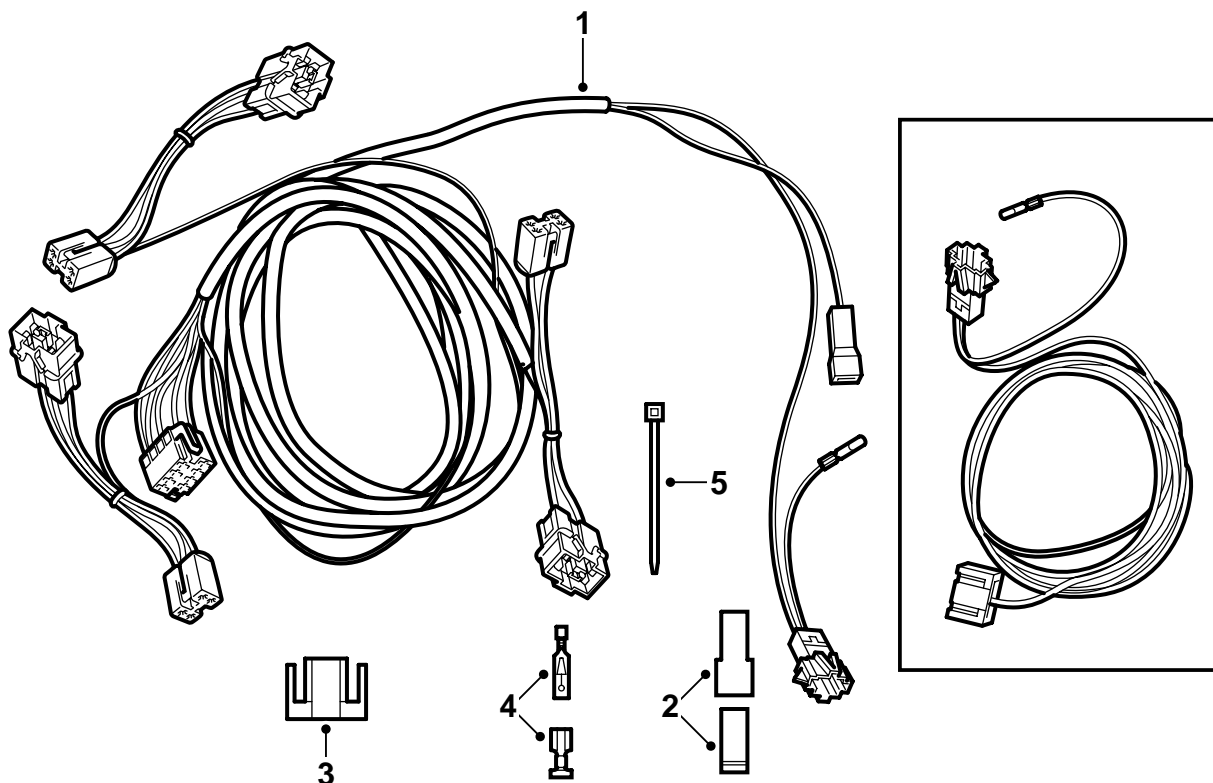



SAAB
**MONTERINGSANVISNING · INSTALLATION INSTRUCTIONS
MONTAGEANLEITUNG · INSTALLATIONS DE MONTAGE**
Saab 900 M94-M98, Saab 9-3

Rear hitch wiring harness, manoeuvre

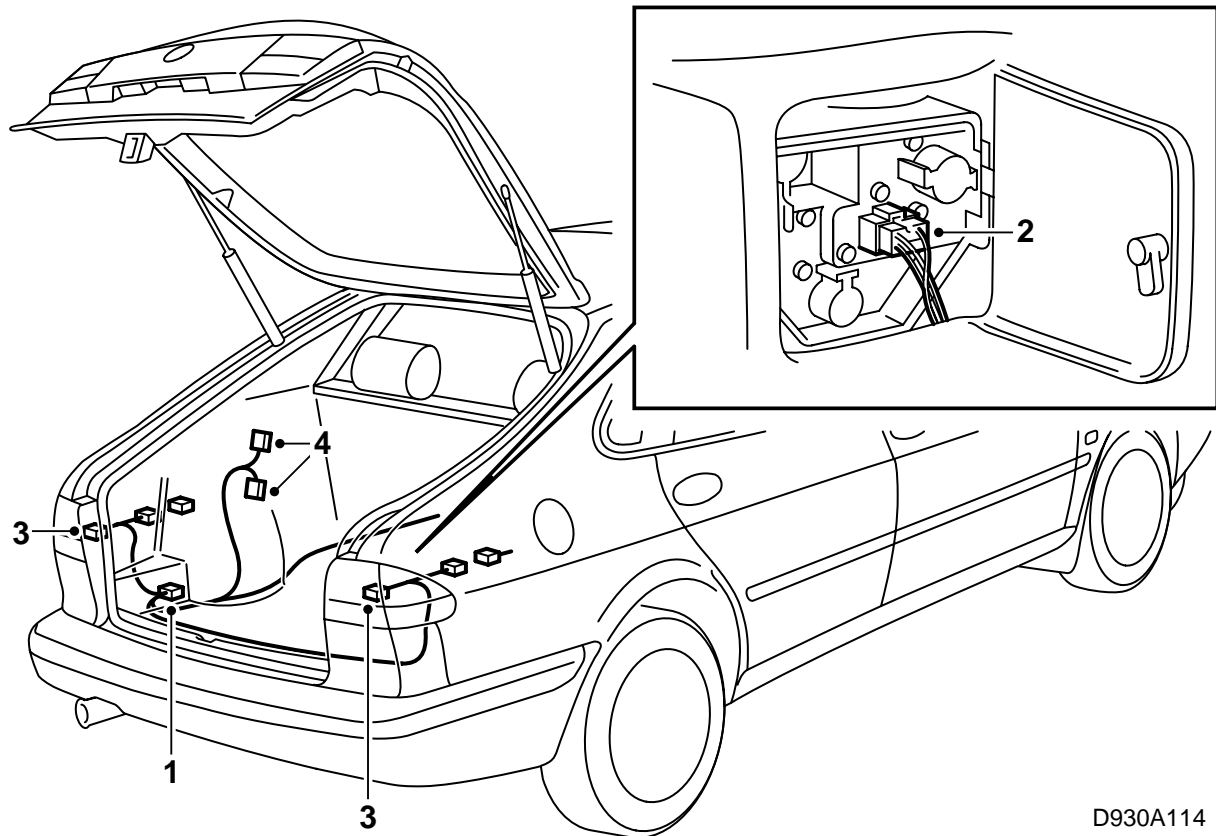
Accessories Part No.	Group	Date	Instruction Part No.	Replaces
400 112 090	9:37-1	Jun 99	52 46 095	75 04 06 Oct 95 86 79 300



D930A113

- 1 Wiring harness
- 2 1-pin connector (x2)
- 3 2-pin connector
- 4 Cable terminal (x2)
- 5 Cable tie (x5)

RHD also requires kit 400 101 663



D930A114

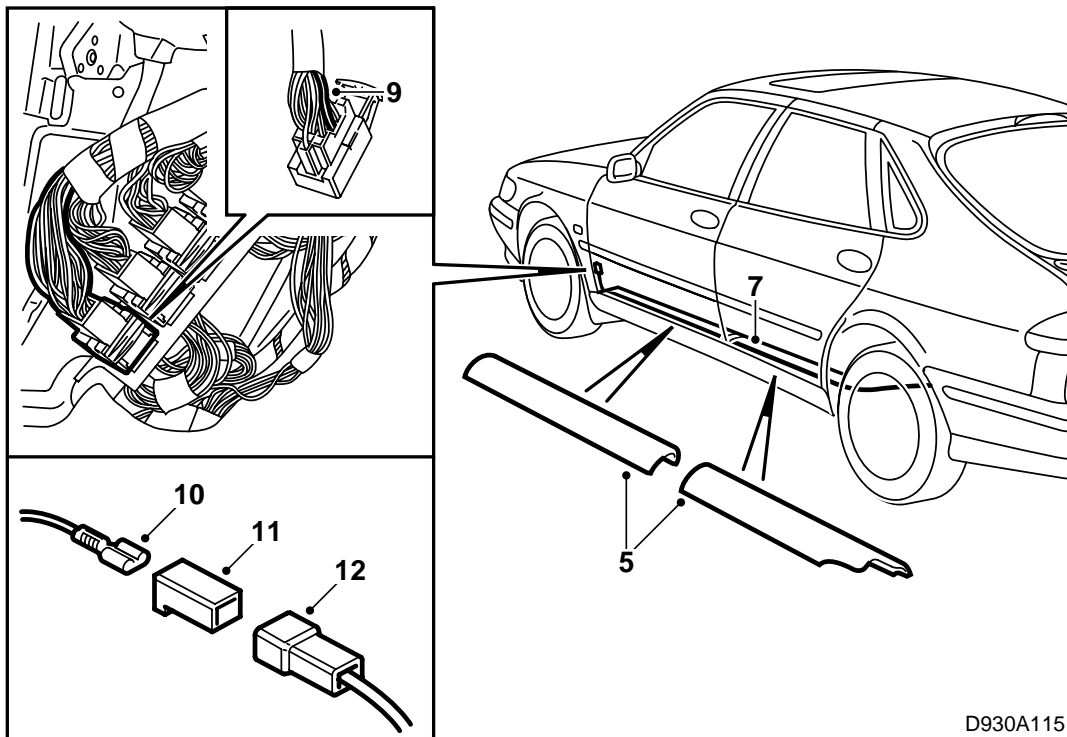
Initial conditions:

Rear sill plate removed.

Left-hand rear side trim removed.

Rear hitch with wiring harness fitted.

- 1 Press the 8-pin connector onto the rear hitch wiring harness.
- 2 Unplug the connectors to the rear lamp clusters.
- 3 Plug the connector from the fitting kit with the part number sleeve to the left-hand rear light and the other connector from the same cable branching to the right-hand rear light.
- 4 Unplug the black 4-pin connector behind the left-hand wheel housing in the luggage compartment and plug in the other 4-pin connectors from the manoeuvre kit.



D930A115

5 Remove the left-hand sill plates and cover under the steering wheel.

RHD: Remove the glove compartment.

6 **3D:** Remove the left-hand side trim on the rear seat.

7 Lay the wiring harness along the left-hand side of the car, from the luggage compartment to the dashboard.

8 Fold away the carpet from the connectors on the bracket below the A-pillar.

Proceed to step 16 for the Saab 9-3.

900

9 Cut off the VIOLET cable on pin 13 in the grey 33-pin connector as close as possible to the connector.

10 Strip about 15 mm and fit the cable sleeve from the kit onto the cable.

11 Fit the cable sleeve into the 1-pin sleeve connector.

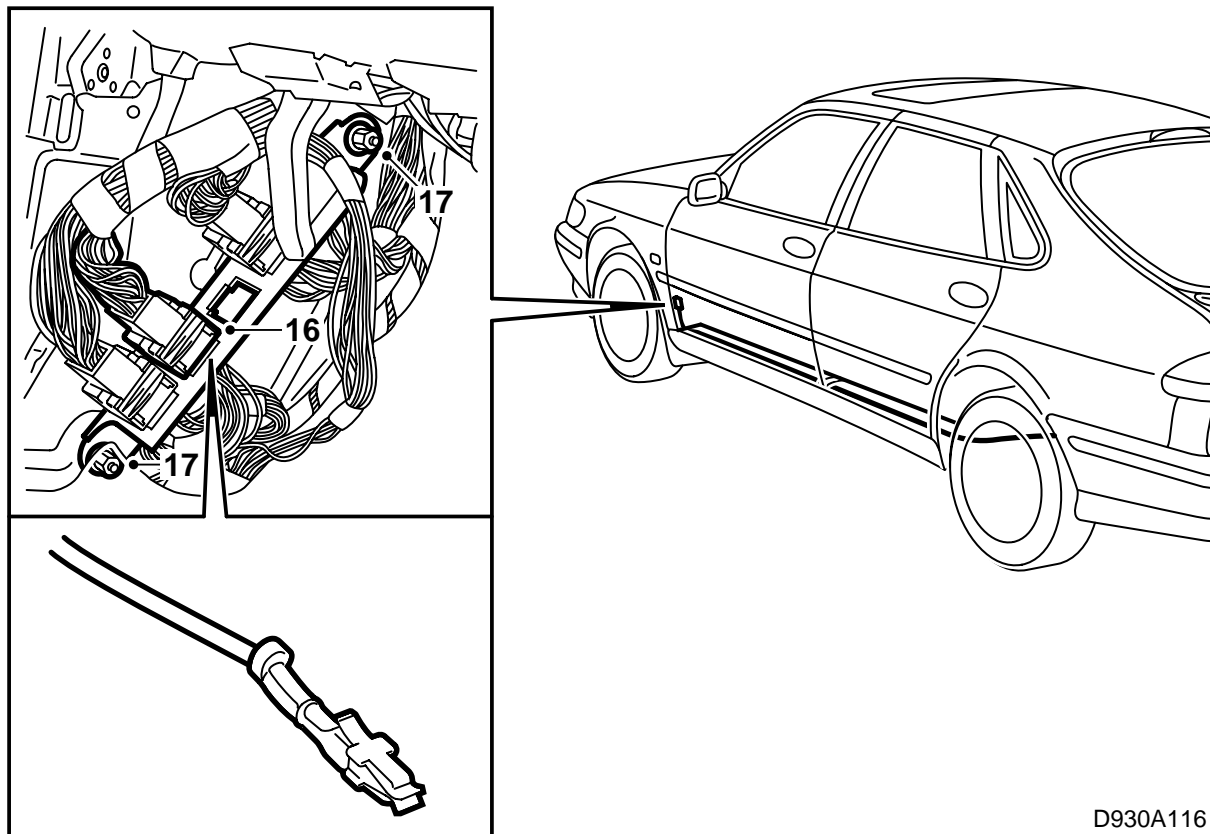
12 Cut off the cable terminal on the kit's VIOLET cable.

13 Strip about 15 mm and fit the pin from the kit onto the cable.

14 Fit the pin into the 1-pin connector from the kit.

15 Press together the connectors.

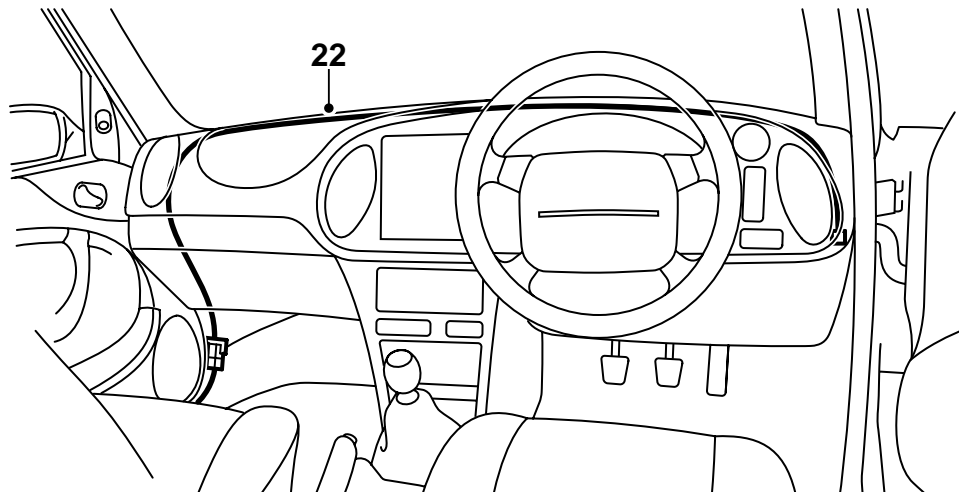
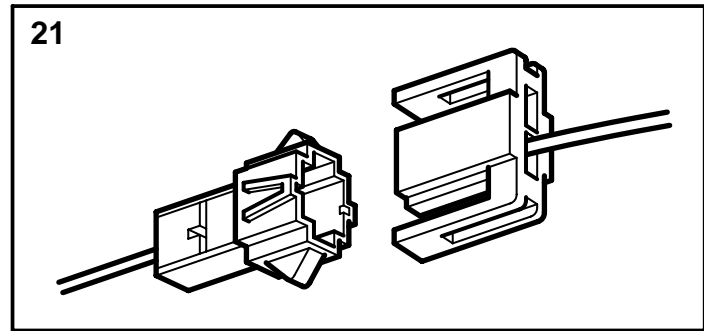
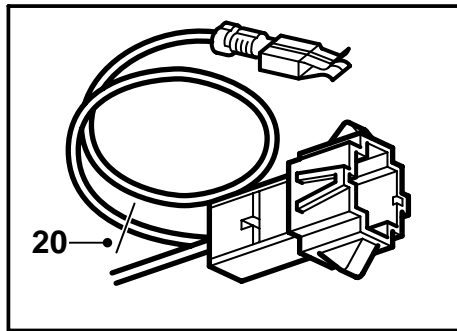
Proceed to step 20 for RHD cars or to step 23 for others.



D930A116

9-3

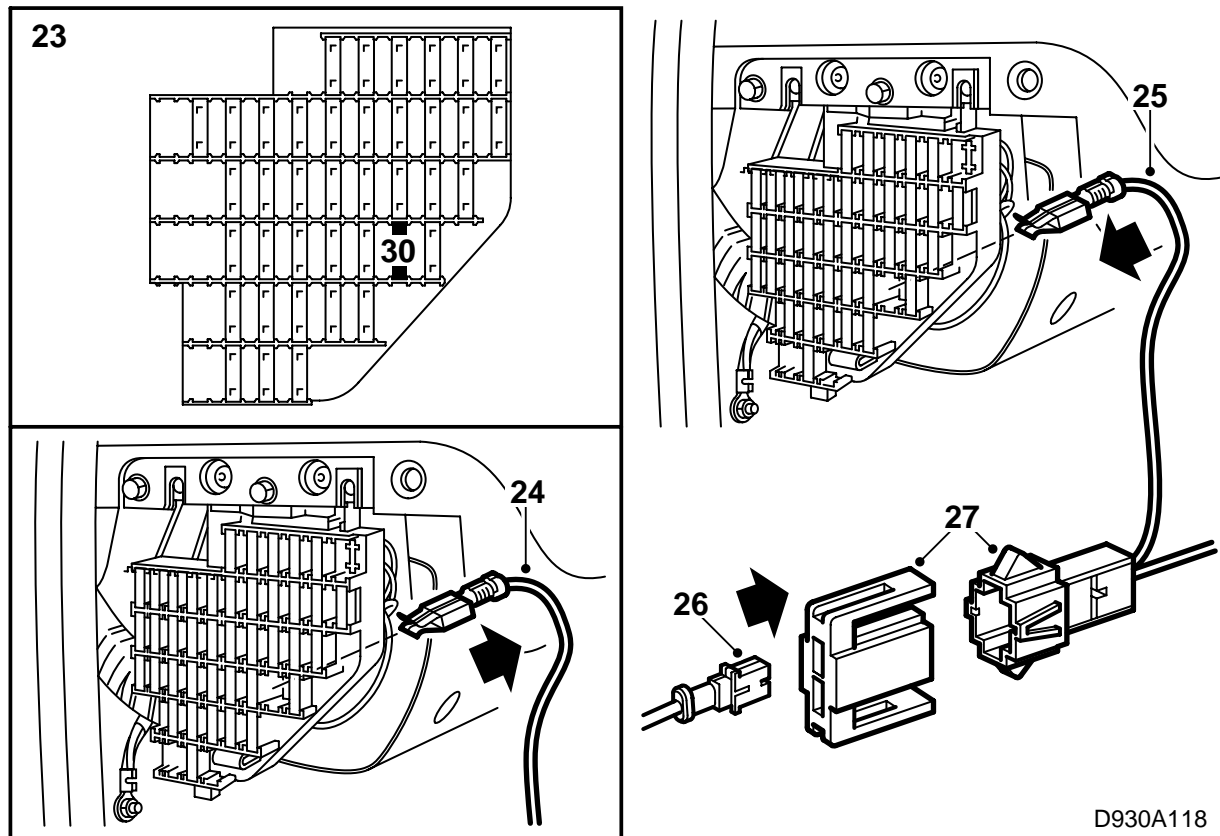
- 16 Unplug the blue 33-pin connector.
- 17 Undo the two nuts securing the connector bracket and fold up the bracket.
- 18 Connect the VIOLET cable from the kit to pin 7 in the blue connector on the connector bracket.
- 19 Screw on the connector bracket and plug in the 33-pin connector.



D930A117

RHD

- 20 Cut the BLUE/WHITE cable at the 2-pin connector.
- 21 Fit the cable for RHD cars, kit 400 101 663, to the connector and run the lead over to the right-hand side of the dashboard.
- 22 Make sure to secure the cable so that it does not come into contact with any moving parts.



D930A118

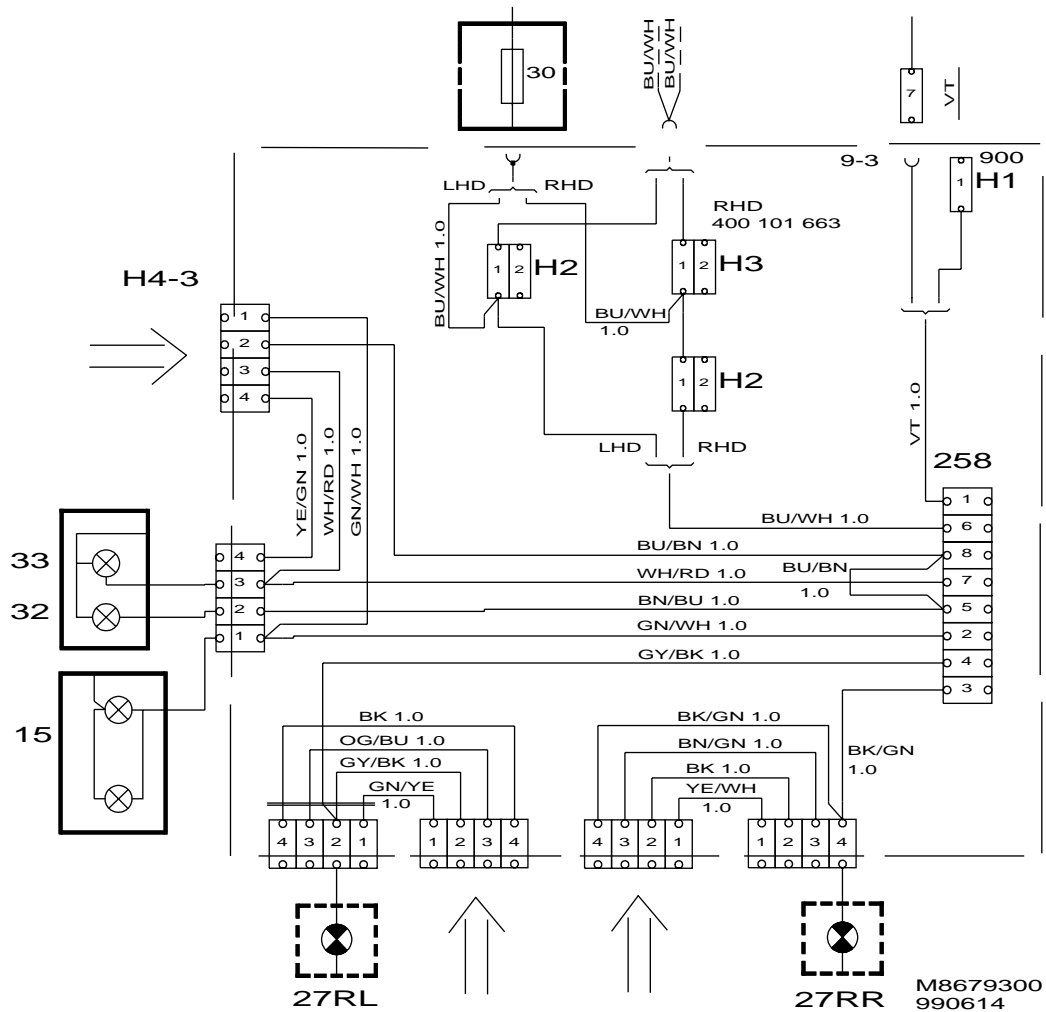
LHD+RHD

- 23 Remove fuse 30 for the rear lights in the fuse holder on the side of the dashboard.
- 24 Disconnect the blue/white cable terminal.
- 25 Connect the blue/white cable in the kit.
- 26 Fit the disconnected cable terminal to pos. 1 in the kit's 2-pin connector.
- 27 Plug together the connectors.
- 28 Replace the fuse.
- 29 Check the function.
- 30 Replace all the disassembled parts.

Wiring diagram

the wiring harness connectors are connected.

The fitting kit is indicated inside the dashed rectangle on the wiring diagram. The arrows show where



Pos.nr	Name
15	Number plate lighting
27RL	Left rear direction indicator
27RR	Right rear direction indicator
32	Reversing lights
33	Rear fog lights
258	Connector for rear hitch wiring harness
H1	1-pin connector
H2	2-pin connector
H3	2-pin connector in RHD kit
H4-3	Black 4-pin connector behind left-hand wheel housing