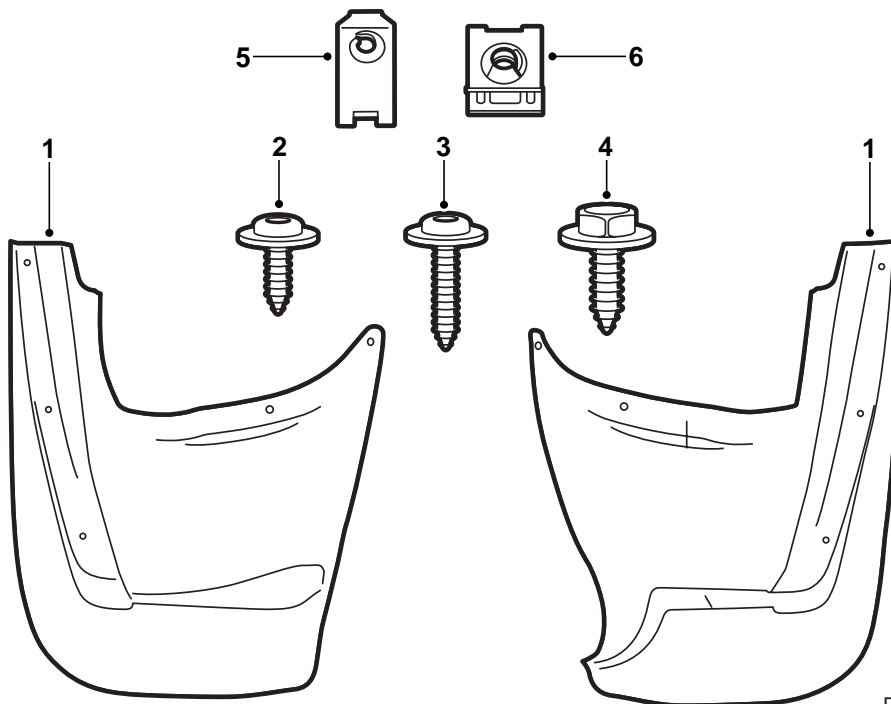


**SAAB****MONTERINGSANVISNING · INSTALLATION INSTRUCTIONS  
MONTAGEANLEITUNG · INSTALLATIONS DE MONTAGE**

## Saab 900 M94-, Saab 9-3

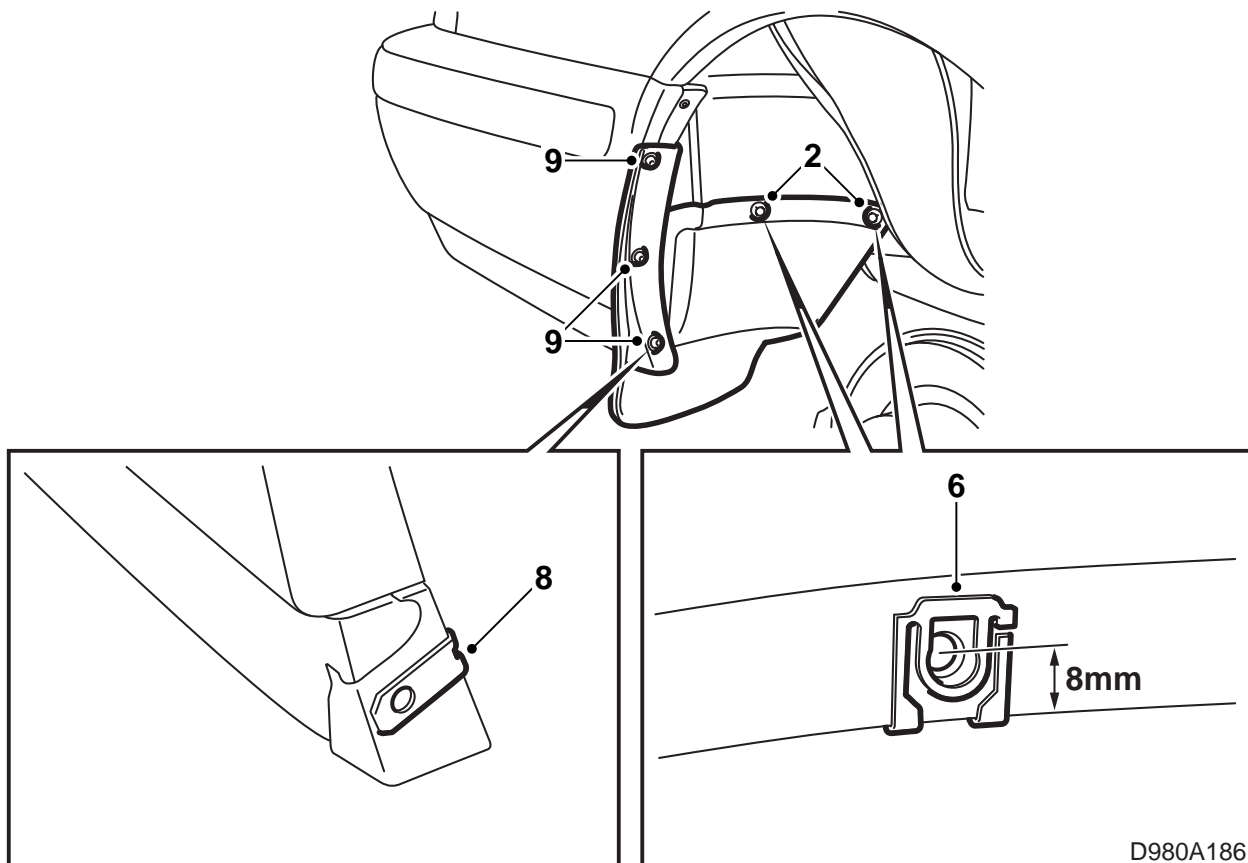
Mudflaps, rear

Accessories Part No.	Group	Date	Instruction Part No.	Replaces
400 126 413	9:84-11	Mar 99	86 85 612	86 85 612 Feb 95



D980A185

- 1 Mudflaps
- 2 Screw 16 mm (4 pcs.)
- 3 Screw 25 mm (2 pcs.)
- 4 Hex head screw (4 pcs.)
- 5 Clip nut (2 pcs.)
- 6 Clip nut (4 pcs.)



- 1 Raise the car and remove both rear wheels.
- 2 Position the mudflaps, press them into their correct positions and mark the inner holes, see illustration.
- 3 Remove the mudflaps and make sure the hole markings are 8 mm from the edge of the panel, see illustration. Adjust their position if necessary.
- 4 Drill 2 x 8 mm holes where marked.
- 5 Deburr the holes and remove cuttings and flakes of paint. Clean with Teroson Cleaner FL. Apply Standox 1K Füllprimer. Apply finishing paint. Apply Terotex HV 400 (part no. 30 15 930).
- 6 Press on the clip nuts and fasten the mudflaps loosely with the inner screws (hex head) on each side.

- 7 Make holes in the bumper shell at the positions marked on the mudflap. Use an awl.
- 8 Bend back the mudflap and press on the clip nuts for the lower hole in the bumper shell.
- 9 Screw the mudflaps to the bumper shell. Use the 16 mm long screws for the two upper holes on each side and the 25 mm long screw for the clip nut fitted at the lower hole on each side.
- 10 Tighten all screws.
- 11 Fit the wheels and lower the car.

**Tightening torque 110 Nm (81 lbf ft).**