



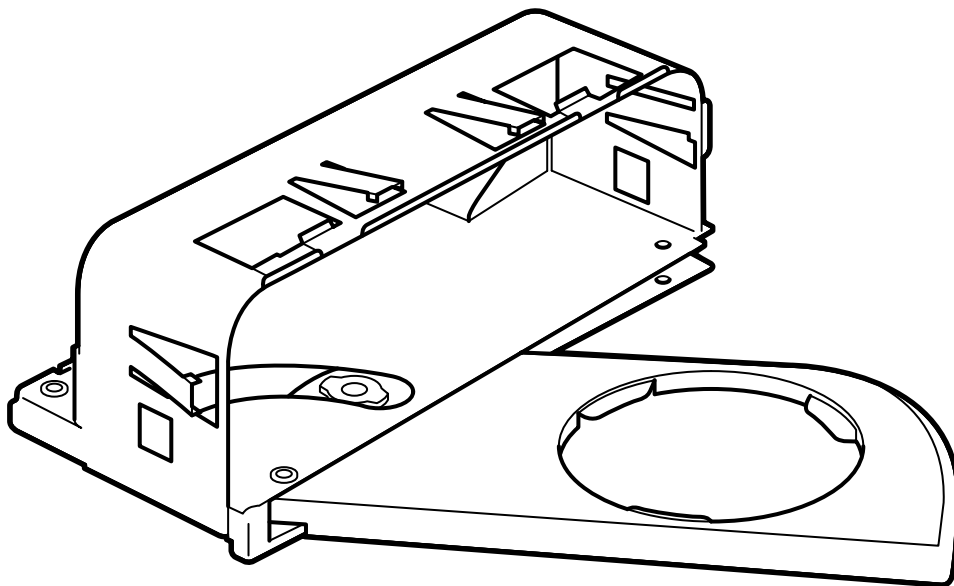
SAAB

**MONTERINGSANVISNING · INSTALLATION INSTRUCTIONS
MONTAGEANLEITUNG · INSTALLATIONS DE MONTAGE**

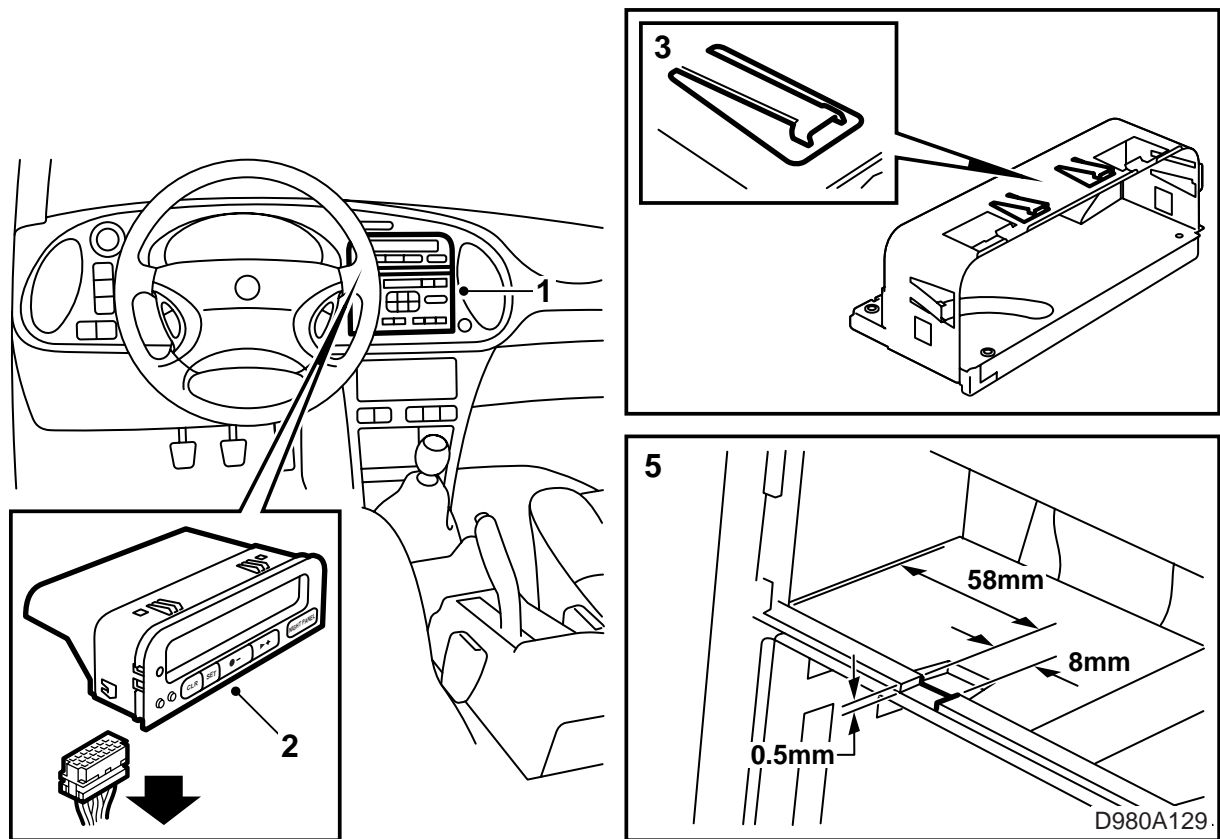
Saab 9-3

Mug holder

Accessories Part No.	Group	Date	Instruction Part No.	Replaces
400 126 488 400 126 496	9:85-12	Oct 99	52 00 670	52 00 670 Feb 99



D980A128



- 1 Dismantle the radio unit with tool 84 71 161. Disconnect the radio, put it to one side and remove the radio mounting frame.
- 2 Press out the SID unit from behind. Disconnect it and put it to one side.
- 3 Remove the SID mounting frame by releasing the tabs, see illustration.
- 4 Refit the radio mounting frame.
- 5 See whether there is a recess as illustrated. If there is no recess, make one with a file as illustrated.
- 6 Fit the new mounting frame, including the mug holder, for the SID unit.

Important

Handle the mounting frame with care, as any deformation will affect the function of the mug holder.

- 7 Make sure the mug holder opens fully and that it does not require assistance to attain its extended position.
- 8 Connect the radio and fit it in the mounting frame.
- 9 Connect the SID unit and fit it in the mounting frame.
- 10 Set the car clock and reset the radio code where appropriate.