



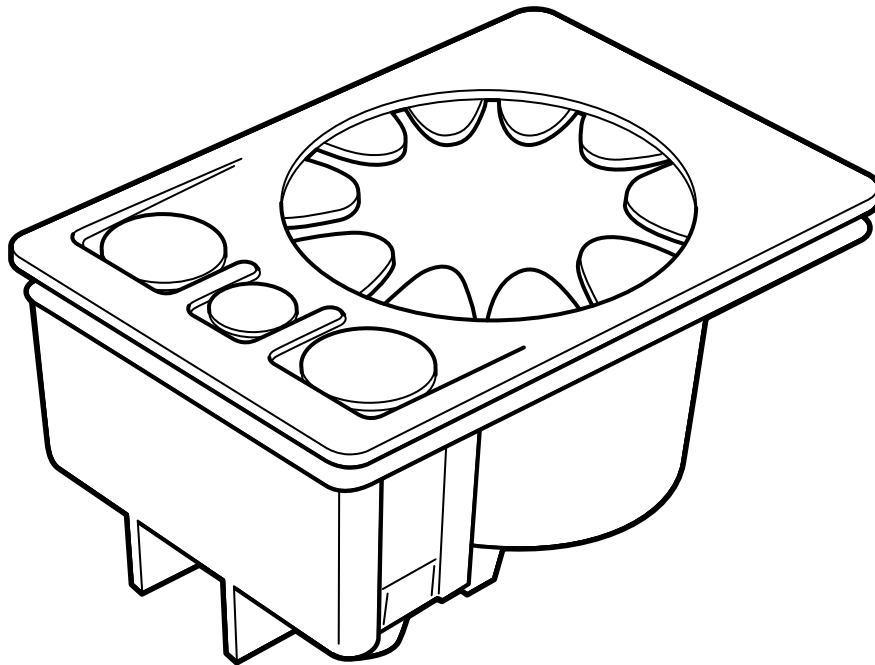
SAAB

**MONTERINGSANVISNING · INSTALLATION INSTRUCTIONS
MONTAGEANLEITUNG · INSTRUCTIONS DE MONTAGE**

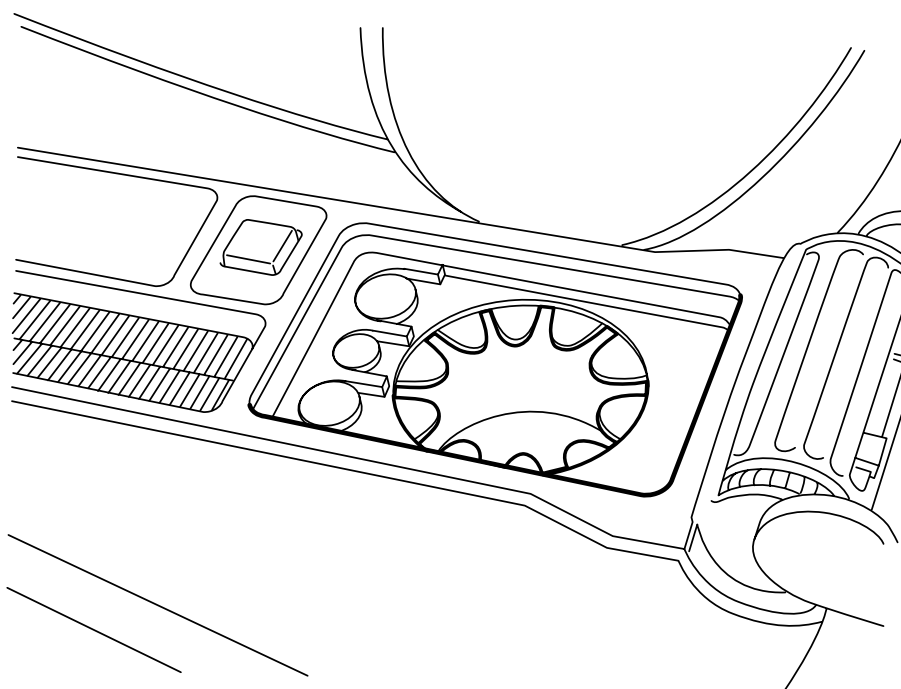
Saab 900 M94-, Saab 9-3

Cup holder

Accessories Part No.	Group	Date	Instruction Part No.	Replaces
400 106 076 400 126 504	9:85-02	Sep 00	47 90 424	47 90 424 Feb 99



D980A147



D980A148

- 1 Remove the mat from the bottom of the storage compartment.
- 2 Then fit the cup holder as shown in the illustration.