



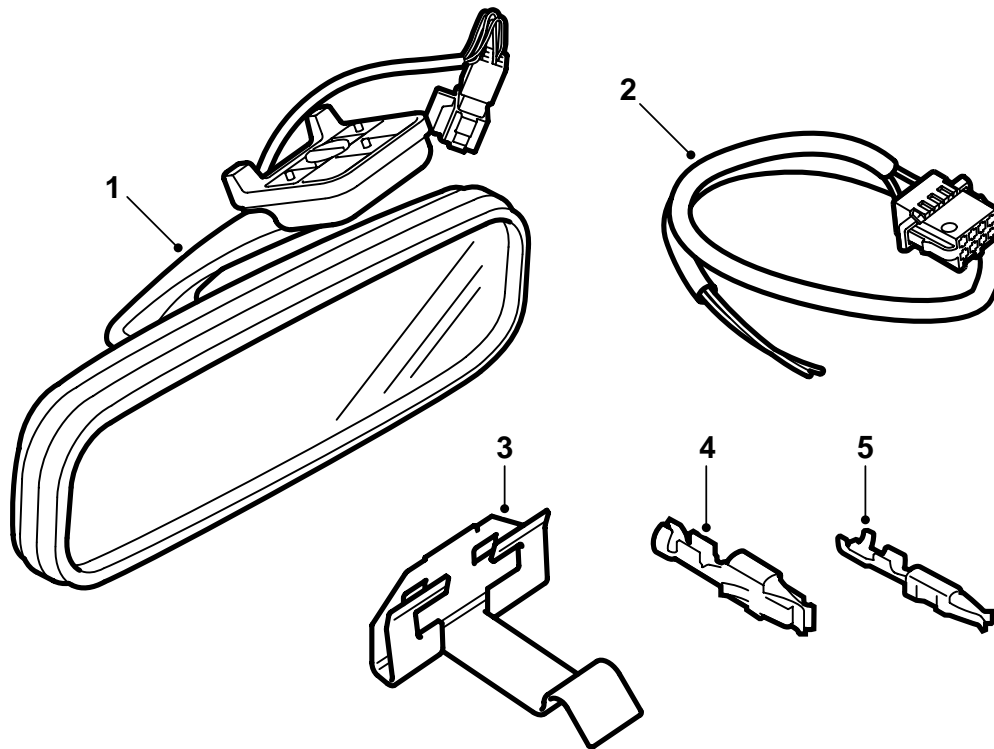
SAAB

**MONTERINGSANVISNING · INSTALLATION INSTRUCTIONS
MONTAGEANLEITUNG · INSTALLATIONS DE MONTAGE**

Saab 9-5

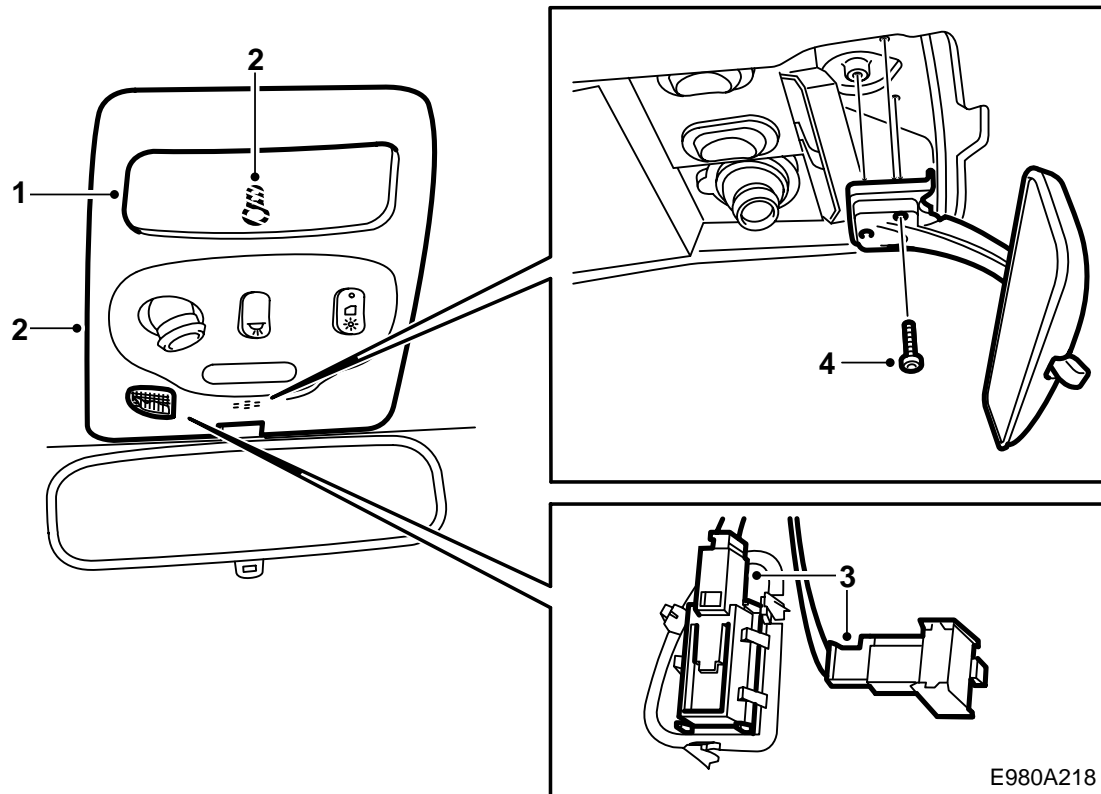
Automatic anti-dazzle rearview mirror

Accessories Part No.	Group	Date	Instruction Part No.	Replaces
400 127 049	9:84-12	Jun 99	86 89 390	

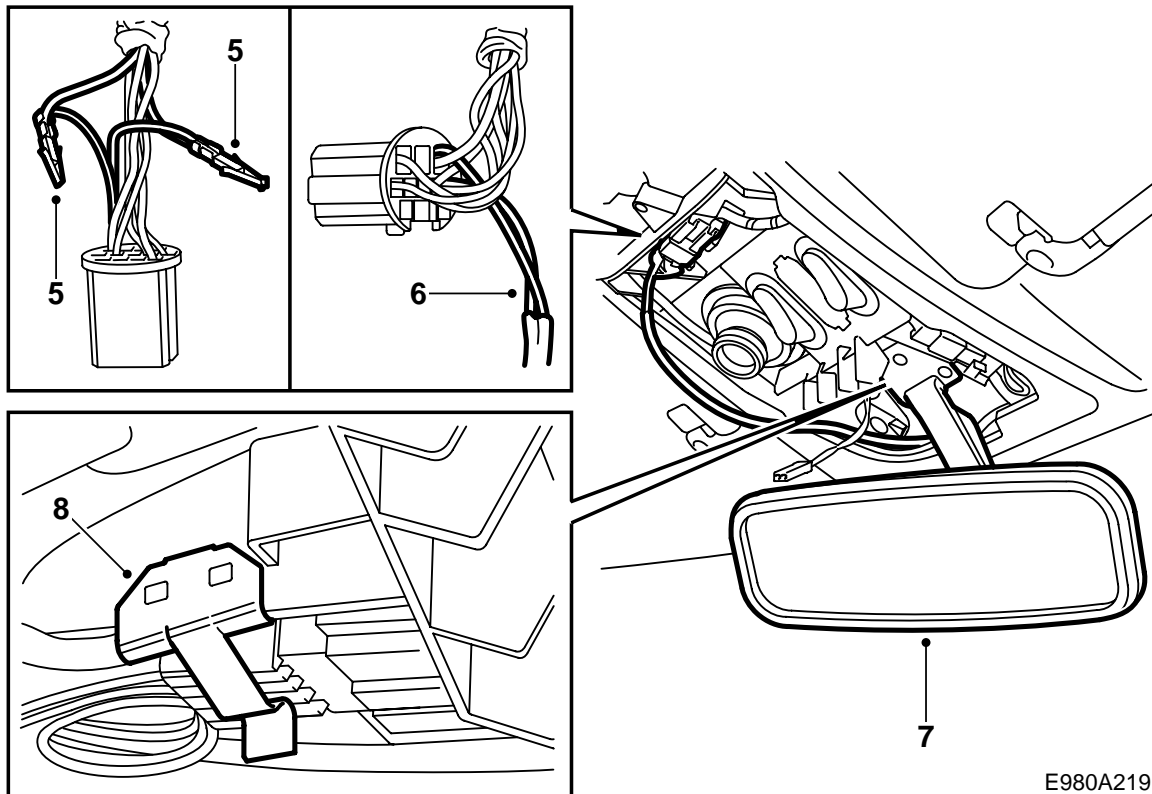


E980A217

- 1 Rearview mirror
- 2 Wiring harness
- 3 Clip
- 4 Cable lug
- 5 Cable lug



- 1 Remove the lamp glass.
- 2 Remove the screw and dismantle the cover.
- 3 Remove the connectors for the temperature sensor and microphone if applicable.
- 4 Dismantle the retaining screws and remove the mirror.



E980A219

- 5 Unplug the connector and remove the cable lugs from pin 5 (red/white) and pin 8 (black).
- 6 Twist the cable with the corresponding cable from the new rearview mirror wiring harness (red/white to red/white in the small cable lug and black to black in the large cable lug) then mount the cable lugs in the connector, red/white to pin 5 and black to pin 8. Plug in the connector.
- 7 Plug in the connector to the rearview mirror and mount the rearview mirror.
- 8 **Cars with VIN up to and including X3075366:**
Position the wiring harness according to the illustration and attach the connector with clips.
Cars with VIN up to and including X3075367:
Position the wiring harness according to the illustration and attach the connector by mounting it in the groove.
- 9 Plug in the connector for the temperature sensor and microphone if applicable.
- 10 Mount the cover with the screw and replace the lamp glass.