

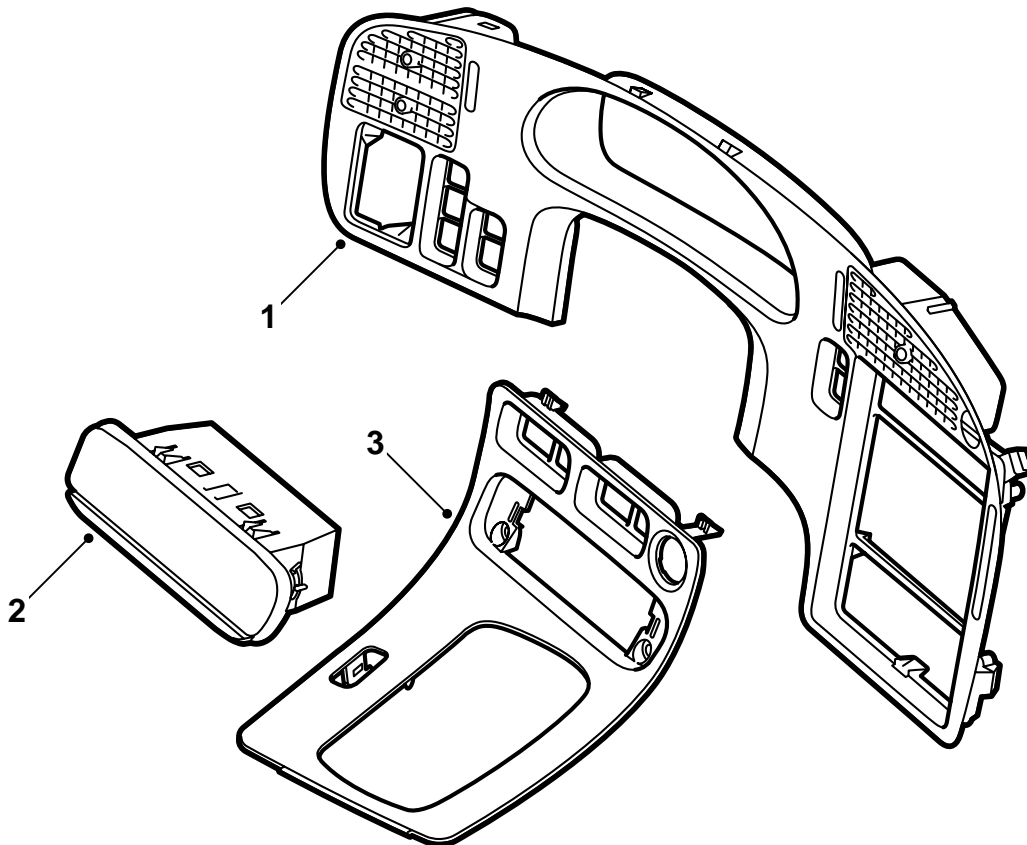


**MONTERINGSANVISNING · INSTALLATION INSTRUCTIONS
MONTAGEANLEITUNG · INSTRUCTIONS DE MONTAGE**

Saab 9-5

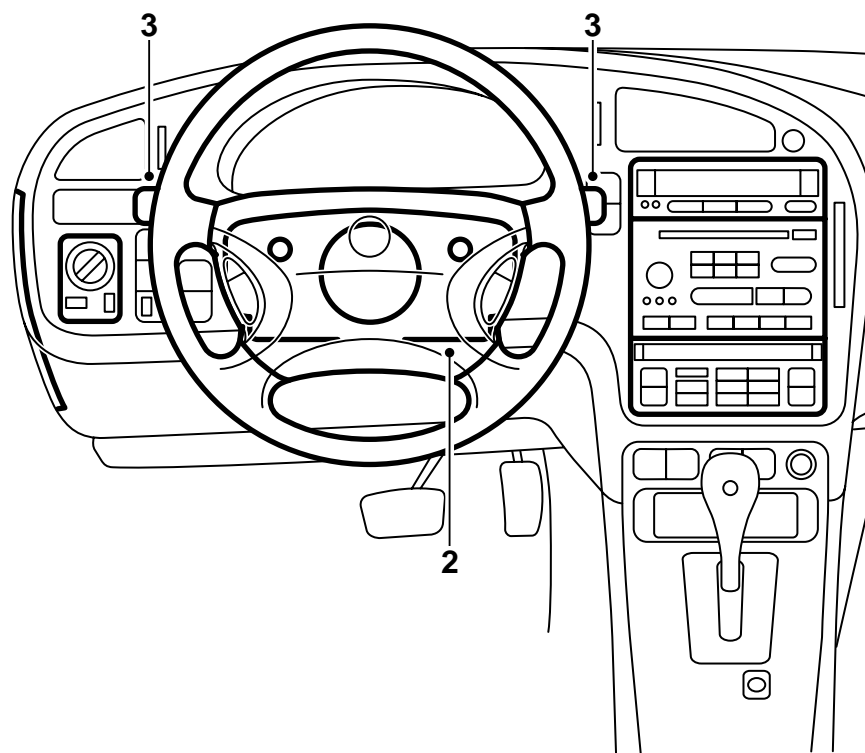
Wood/carbon-fibre instrument plate

Accessories Part No.	Group	Date	Instruction Part No.	Replaces
400 128 583				
400 128 591				
400 128 609				
400 128 617				
400 130 258				
400 130 266				
400 131 488				
400 131 496				
400 133 039				
400 133 047	9:85-05	Jan 03	48 23 522	48 23 522 May 01



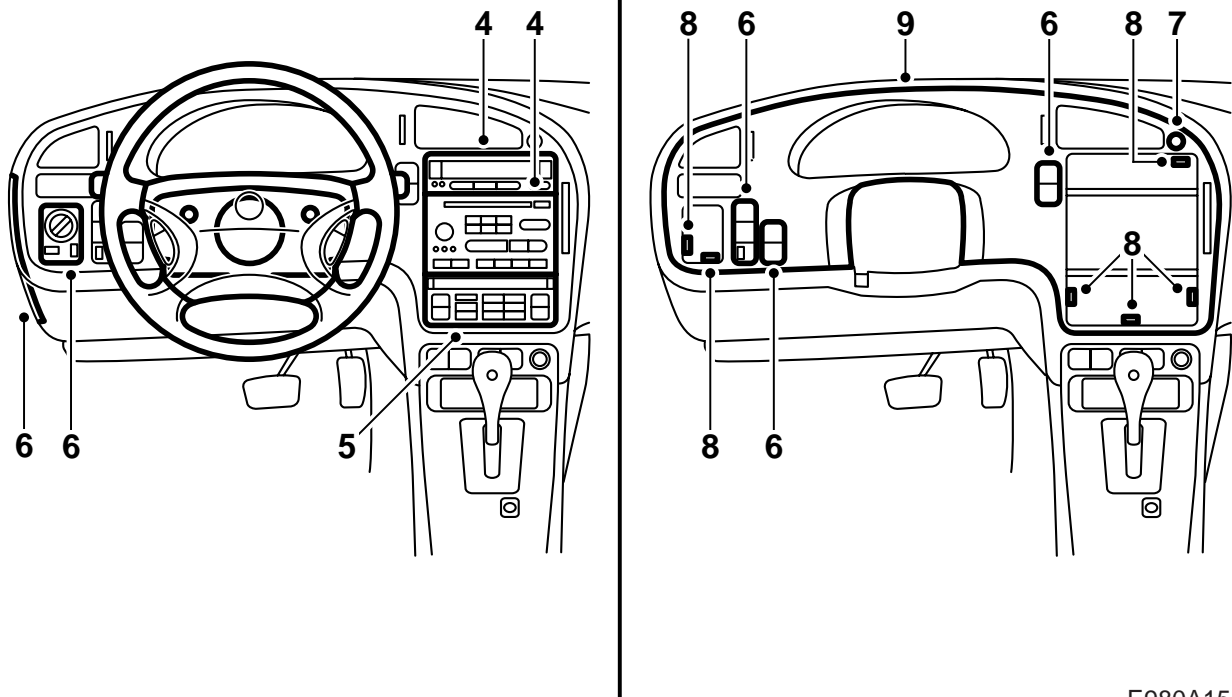
E980A153

- 1 Instrument plate
- 2 Ashtray
- 3 Cover, floor bracket



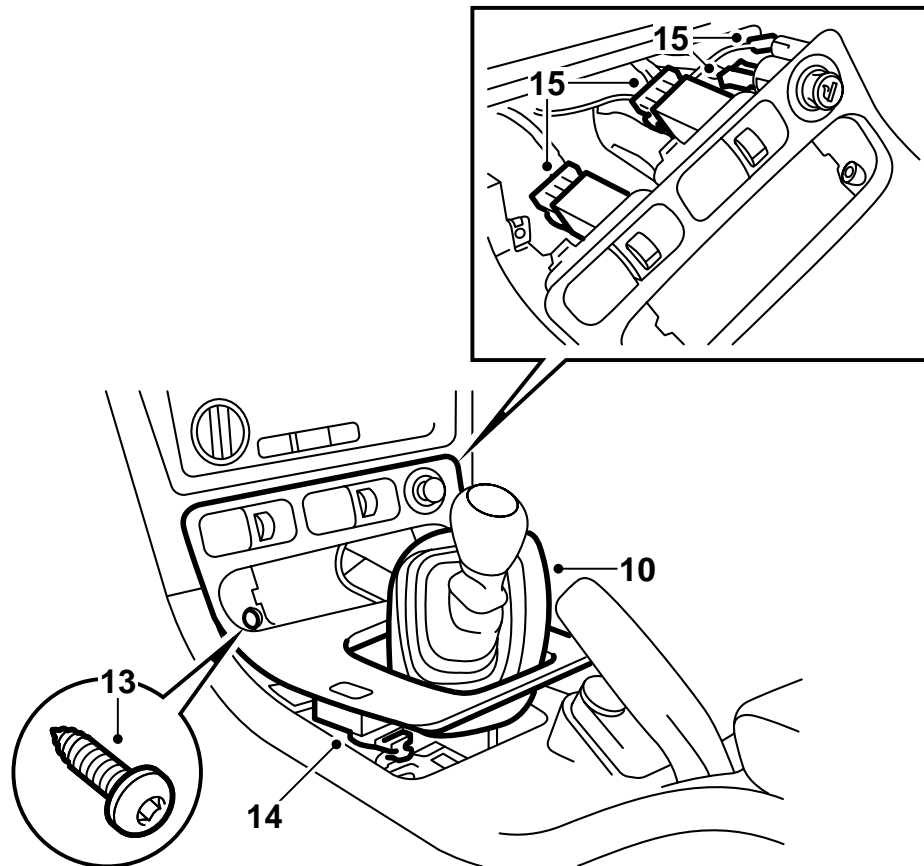
E980A154

- 1 Pull out the steering wheel to its outermost and lowest position.
- 2 Remove the upper and lower steering column cowls, 3 screws.
- 3 Detach the direction indicator and windscreen wiper stalk switches.



E980A155

- 4 Remove the SID unit and radio. Use removal tool 84 71 161.
Remove also the SID and radio unit cages.
- 5 Remove the heating and ventilation panel and unplug the connector.
- 6 Remove the cover on the side of the panel.
Remove the lights control panel and other switches, unplug its connector.
- 7 Remove the hazard flasher switch and unplug the connector.
- 8 Remove the instrument plate, 6 bolts and 4 clips.
- 9 Lift away the instrument plate.



E980A156

10 Manual gearbox:

Lift up the gearlever gaiter.

11 Automatic transmission:

Lift up the selector lever panel.

12 Remove the compartment or ashtray with holder, using a screwdriver.

13 Remove the 2 screws located behind the compartment.

14 Unplug the connector from the central locking switch.

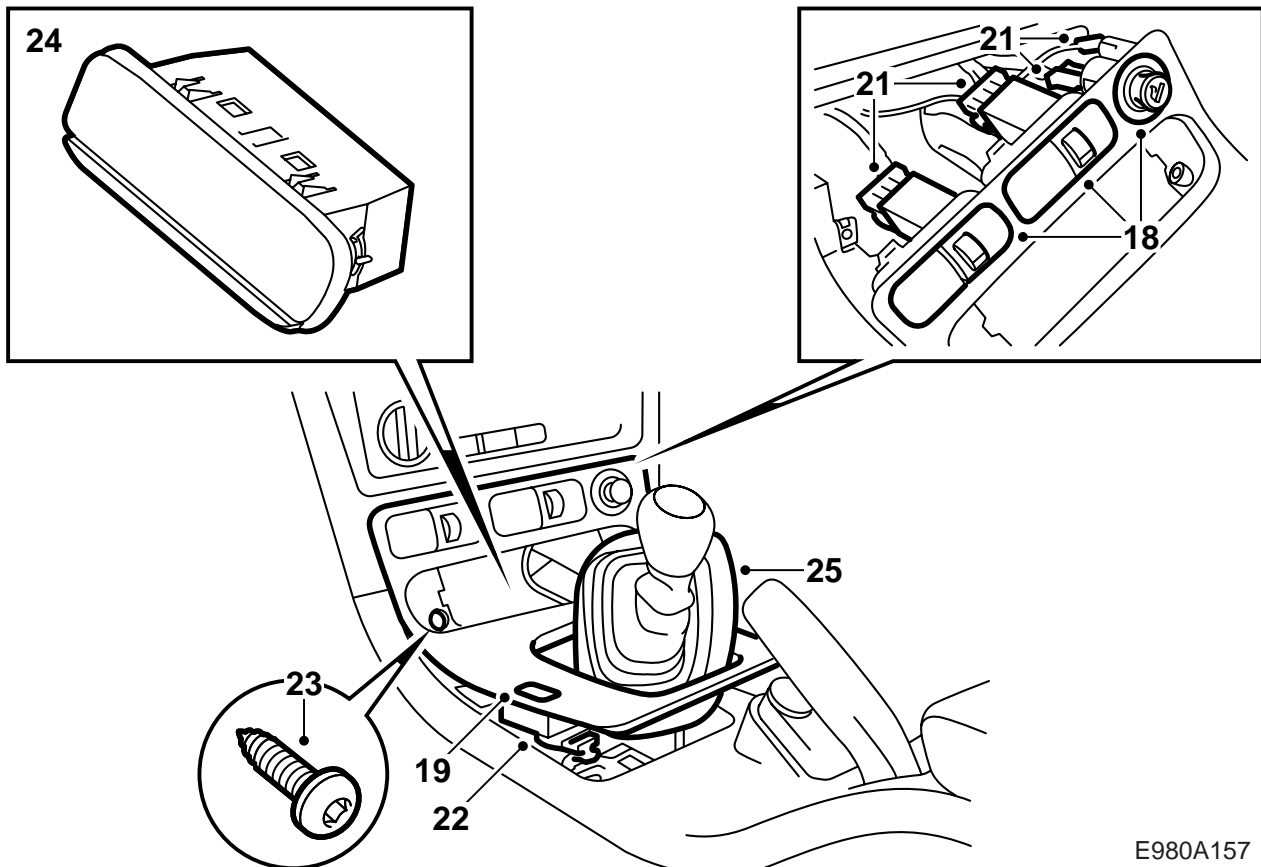
15 Lift up the selector lever housing, simultaneously pressing down the front edge. Unplug the connector for the front seat heating pad and cigarette lighter.

16 Manual gearbox:

Lift up the gear lever housing.

17 Automatic transmission:

Lift up the selector lever housing by passing the indicator plate through it.



E980A157

18 Transfer the switches for the front-seat heating pads, central locking system and cigarette lighter.

19 **Manual gearbox:**

Fit the new gear lever housing in place.

20 **Automatic transmission:**

Fit the new selector lever housing in place by passing the indicator plate through the hole in the housing.

21 Plug in the connector for the front seat heating pad and cigarette lighter.

22 Plug in the connector for the central locking switch.

23 Screw in the 2 screws located behind the compartment.

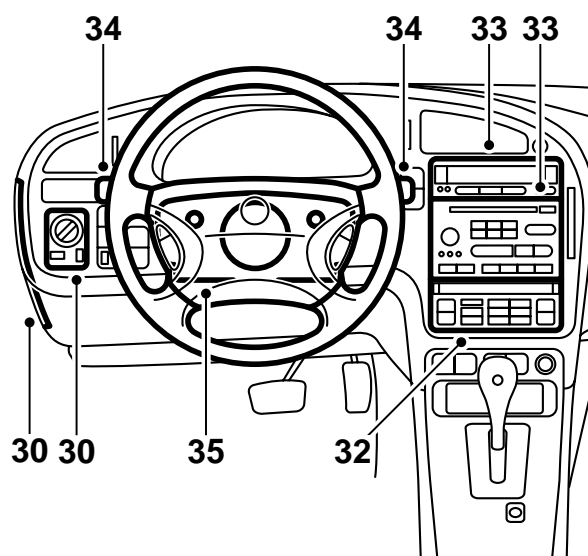
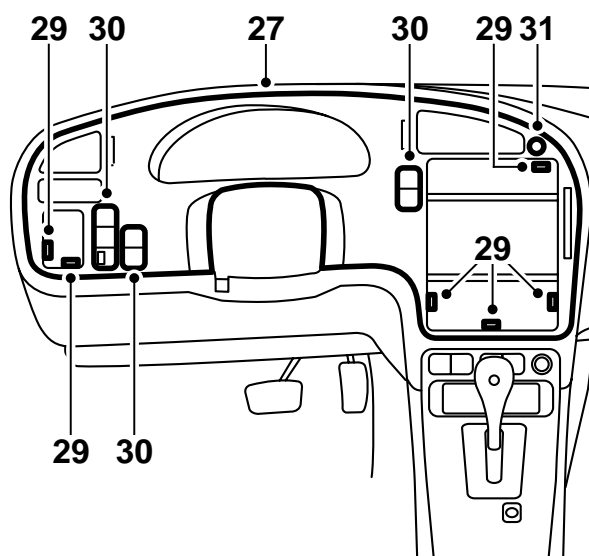
24 Fit the ashtray with holder (fastened in place with clips).

25 **Manual gearbox:**

Refit the gear lever gaiter.

26 **Automatic transmission:**

Refit the selector lever panel.



E980A158

27 Remove the cup holder from the back of the original instrument plate (2 screws) and fit it to the back of the new one. Lift in place the instrument plate.

Important

Take care when fitting.

28 From the driver's side, check that the air ducts are correctly positioned.

Note

Make sure that no connectors or cables are trapped or pinched.

29 Fit the instrument plate with 4 clips and 6 screws.

30 Connect the light switch panel and fit it together with the other switches.

Refit the cover on the side of the dashboard.

31 Fit the hazard flasher switch and plug in the connector from behind.

Note

A mark on the hazard flasher switch shows which side is up.

32 Connect and fit the heating and ventilation panel.

33 Fit the SID and radio unit cages. Connect and fit the SID unit and radio.

34 Refit the direction indicator and windscreen wiper stalk switch.

35 Fit the upper and lower steering column cowls.