

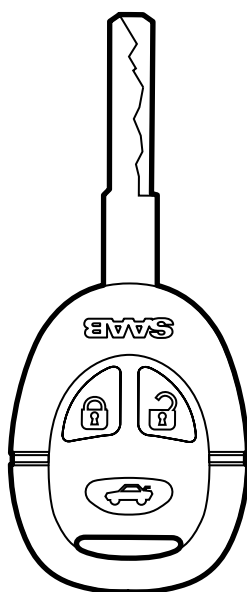


**MONTERINGSANVISNING · INSTALLATION INSTRUCTIONS
MONTAGEANLEITUNG · INSTRUCTIONS DE MONTAGE**

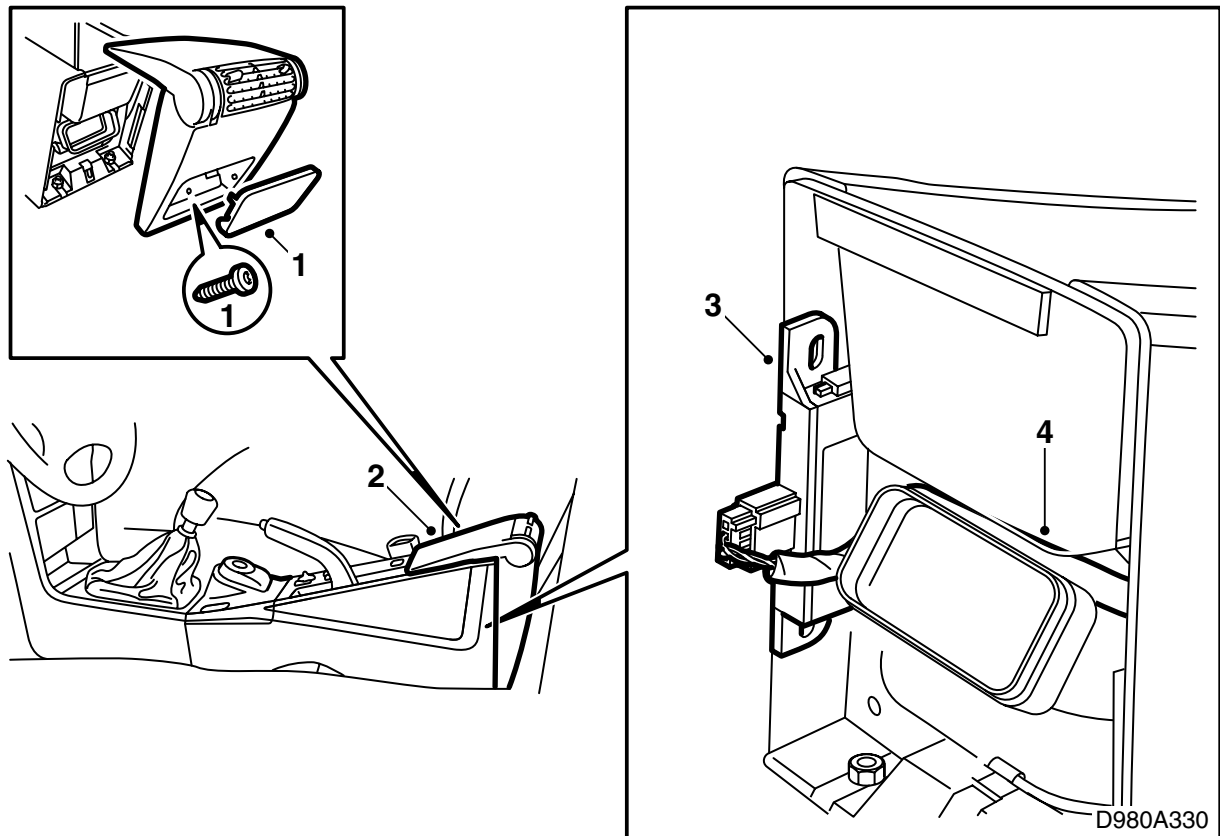
Saab 9-3, Saab 9-5

Key with integrated remote control

Accessories Part No.	Group	Date	Instruction Part No.	Replaces
400 128 906 400 128 898 400 128 914 400 133 419 400 133 427 400 133 435	8:31-02	Jun 04	52 65 632	53 65 632 Dec 00



D831D058

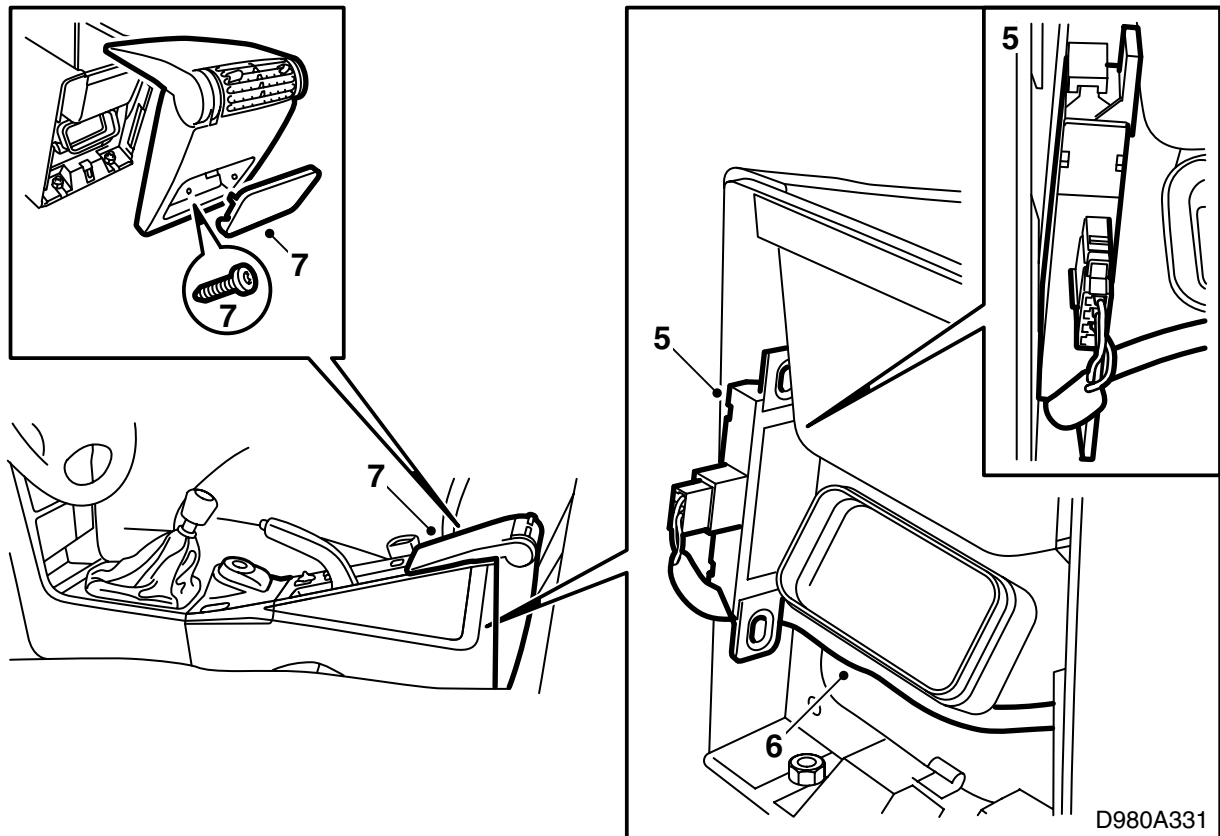


Saab 9-3

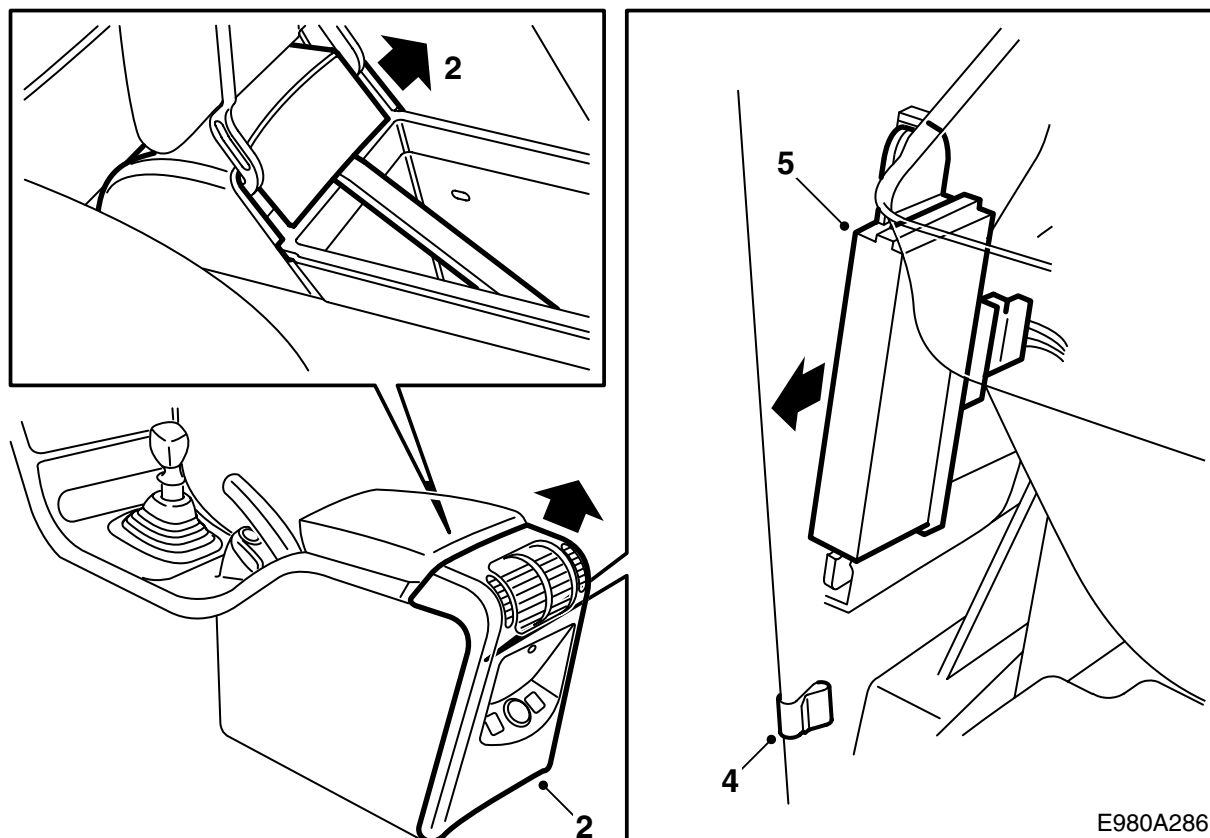
- 1 Remove the cover or ashtray from the rear edge of the floor console and remove the screw securing the rear section of the console.
- 2 Lift aside the rear section.
- 3 Withdraw the receiver unit from the floor console.
- 4 Remove the pieces of tape securing the wiring harness of the receiver unit to the top of the air duct.

Important

To access the front piece of tape, the window switch unit must be raised.

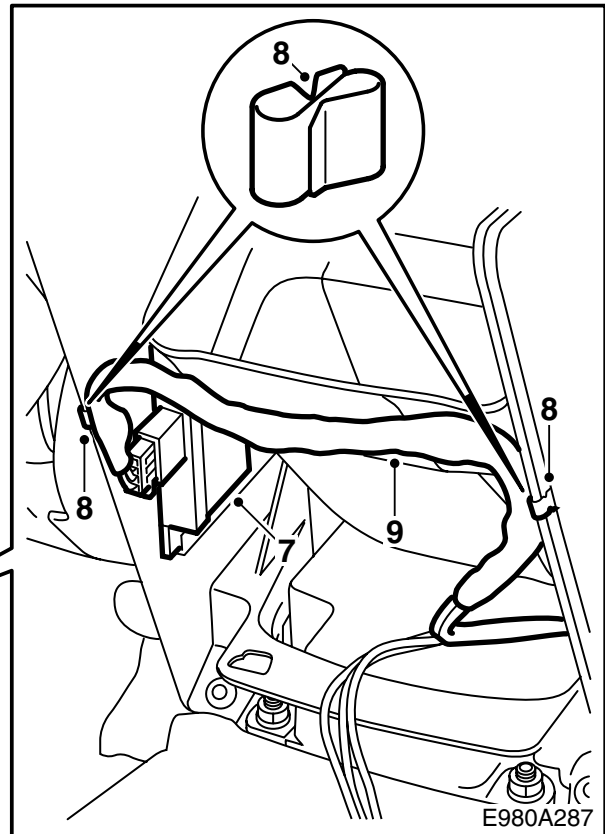
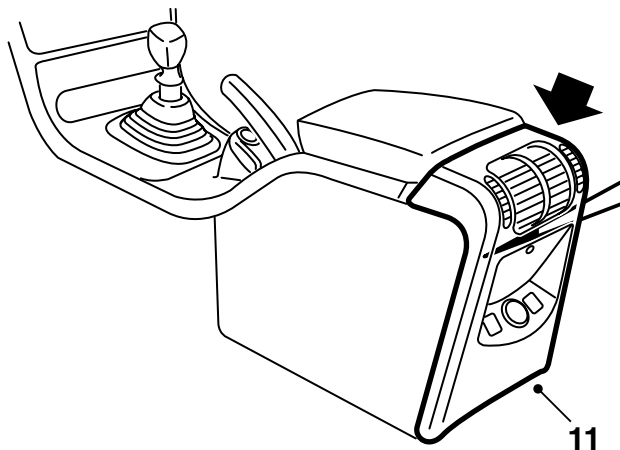


- 5 Pass the wiring harness of the receiver unit under the air duct, twist the receiver unit half a turn and press it back in the upper groove but to the left of the lower groove.
- 6 Feed the wiring harness of the receiver unit under the unit and place it between the receiver unit attachment lug and the wall of the floor console. Secure the wiring harness to the bottom of the air duct.
- 7 Fit the rear section of the floor console and the cover or ashtray.
- 8 Connect the diagnostic tool.
 - Select TWICE
 - Select Programming
 - Select Learn Transponders and Remotes
- 9 Check the operation of the remote control.



Saab 9-5

- 1 Raise the armrest on the floor console.
- 2 Remove the rear section of the floor console by carefully snapping free the front edge so that the catch releases. Raise the rear section of the floor console and lift it backwards.
- 3 Remove the connector from the rear section of the floor console.
- 4 Remove the clip, if fitted, from the sidewall of the floor console.
- 5 Pull the receiver unit from the sidewall of the floor console



- 6 Turn the receiver unit so that the connector points towards the rear of the car.
- 7 Fit the receiver unit into the recess in the side-wall of the floor console.
- 8 Fit one clip to the both sidewalls of the floor console. If a clip was previously fitted on the left-hand sidewall, the clip should be fitted 35 mm above the previous position.
- 9 Locate the wiring harness of the receiver unit in the clips and adjust the position of the clips so that the wiring harness is run just under the lower edge of the air duct orifice.

Important

If necessary, sufficient tape must be removed from around the wiring harness to allow the wires to be moved far enough to allow their correct location. In addition, the wiring harness must be adapted so that the rear section of the floor console can be fitted without pulling the harness from the clips. Affix new tape around the wiring harness.

- 10 Plug in the connector to the rear section of the floor console.
- 11 Fit the rear section of the floor console by locating the lower pins in the holes and carefully pressing down the front edge so that its catch engages.
- 12 Lower the armrest on the floor console.

- 13 Connect the diagnostic tool.
 - Select TWICE
 - Select Programming
 - Select Learn Transponders and Remotes
- 14 Check the operation of the remote control.