

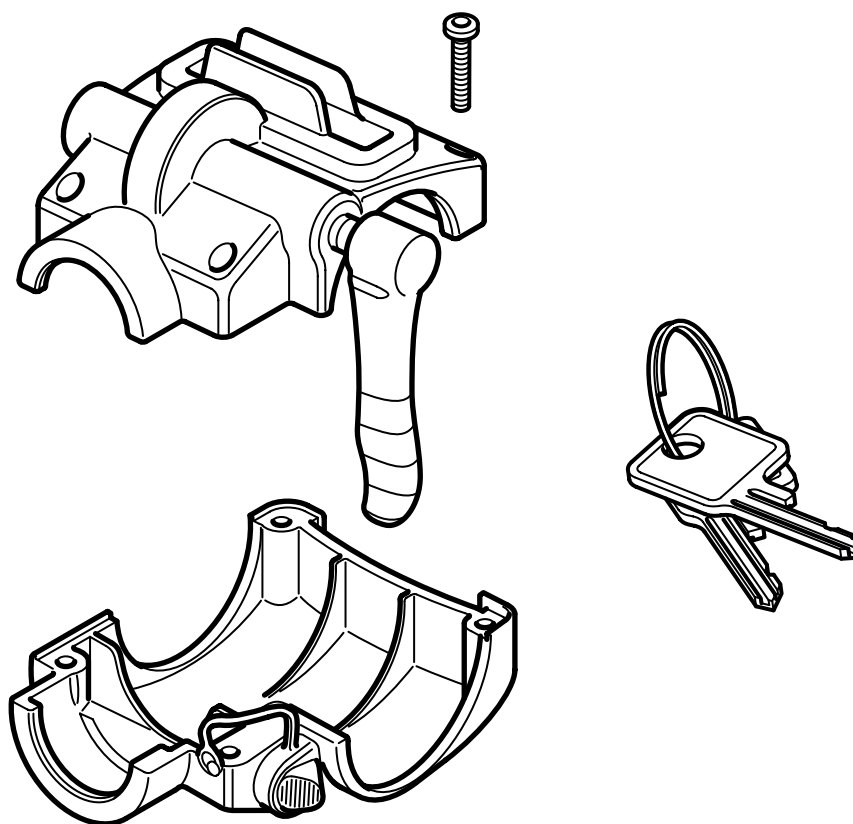


**MONTERINGSANVISNING · INSTALLATION INSTRUCTIONS
MONTAGEANLEITUNG · INSTALLATIONS DE MONTAGE**

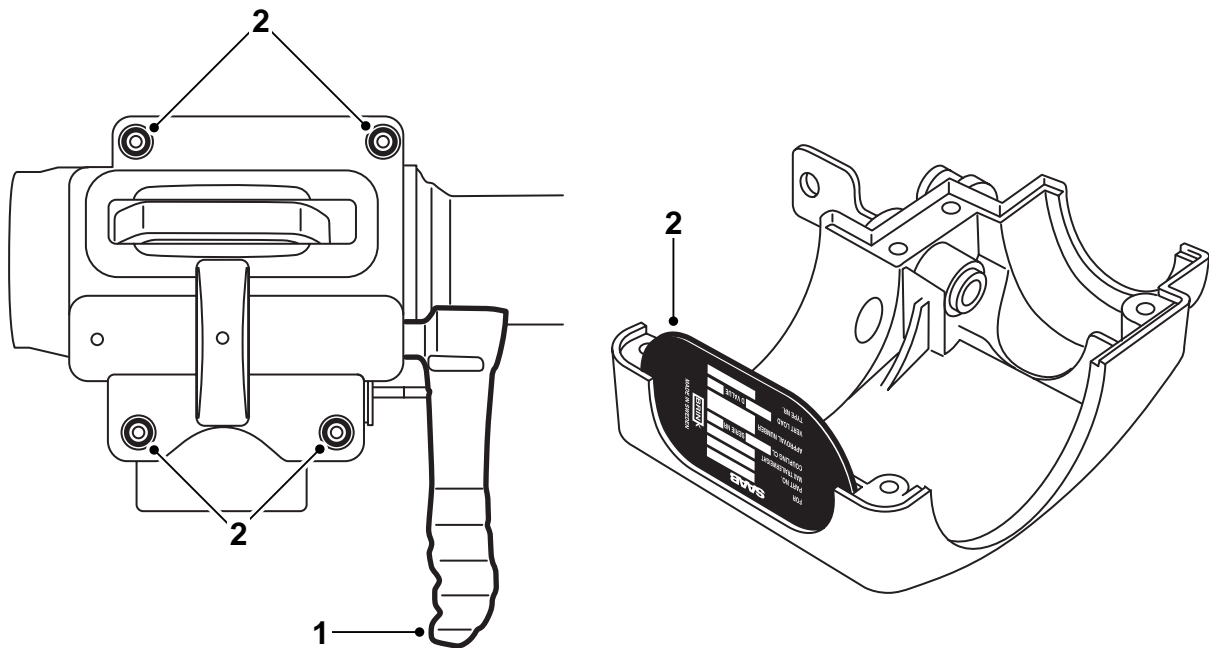
Saab 900 M94-, Saab 9-3, Saab 9-5

Supplement for spare parts kit, removable towbar

Accessories Part No.	Group	Date	Instruction Part No.	Replaces
400 129 102	8:60-37	Aug 00	86 97 500	

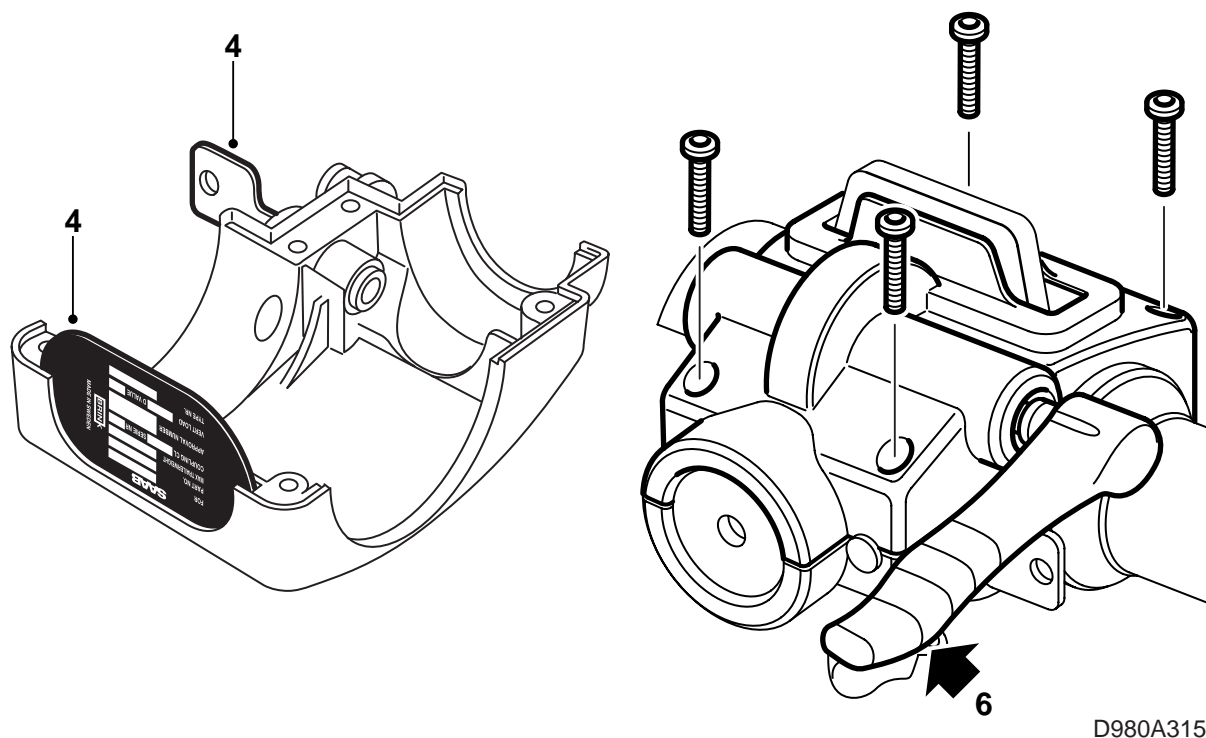


D980A313



D980A314

- 1 Check that the ball unit is unlocked and that the lever is in a horizontal position. Place the ball unit in a vice.
- 2 Remove the bolts and split the cover. Retain the type plate.
- 3 Lubricate the ball unit locking pin with ball bearing grease (part no. 16 - 30 20 476).



- 4 Insert a key in the lock and make sure it is unlocked, see the label. Place the type plate in its recess.

Important

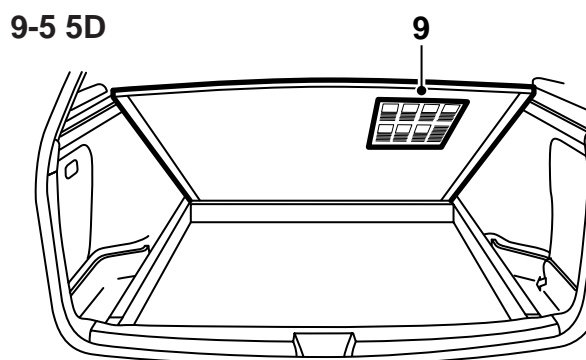
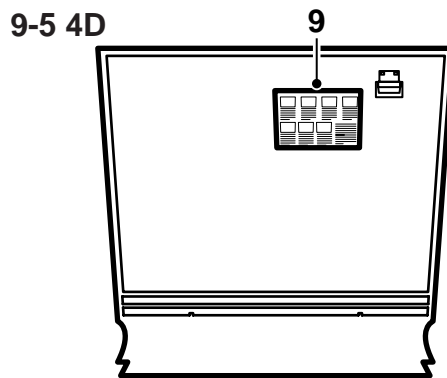
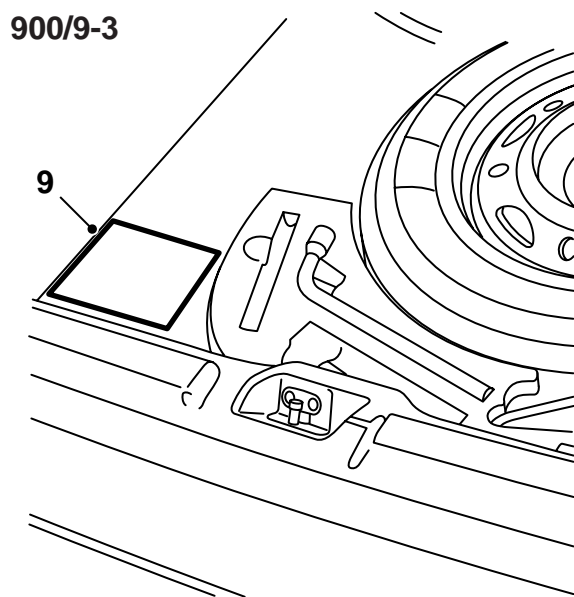
Make sure the type plate is fitted the right way round.

- 5 Position the upper section of the cover on the ball unit.
6 Position the lower section of the cover while holding the lever vertically.

Important

The lever is spring-loaded.

- 7 Fit together the parts of the cover.
8 Check the function on the car.



D980A316

9 Affix the self-adhesive user instructions in the following position:

900/9-3: to the left of the spare wheel well

9-5 4D: under the luggage compartment floor

9-5 5D: under the luggage compartment floor

New version

The key can be removed only when the ball unit is correctly fitted and locked.