



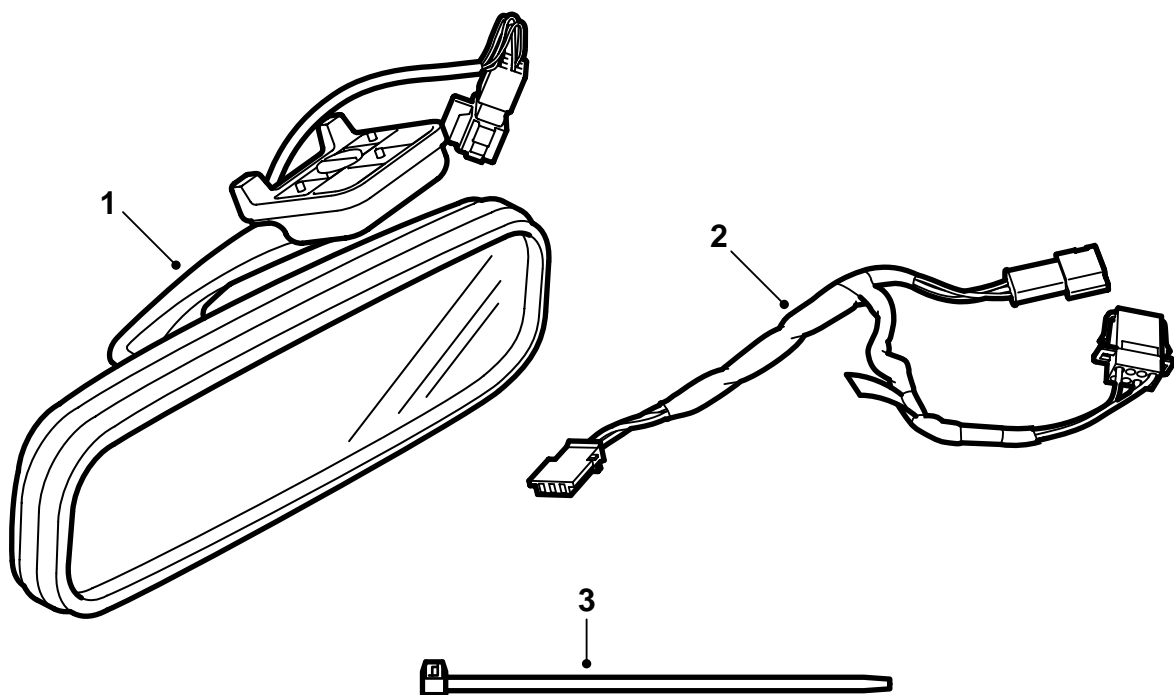
**SAAB**

**MONTERINGSANVISNING · INSTALLATION INSTRUCTIONS  
MONTAGEANLEITUNG · INSTRUCTIONS DE MONTAGE**

## Saab 9-3 3D/5D

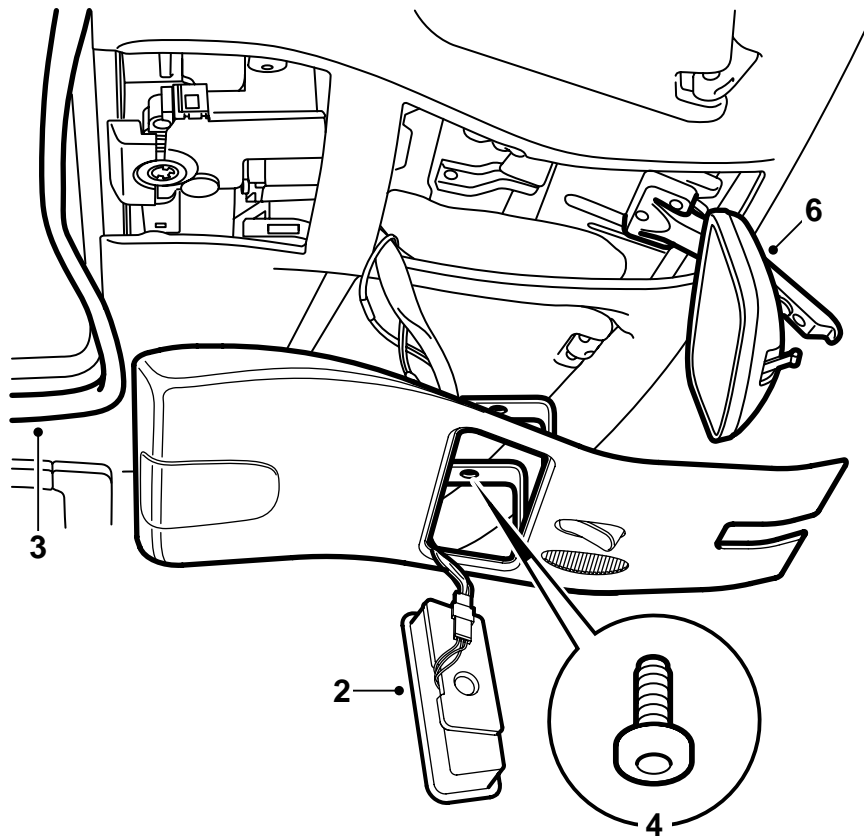
Automatic anti-dazzle rearview mirror

Accessories Part No.	Group	Date	Instruction Part No.	Replaces
400 129 201	9:85-14	Jun 00	86 96 999	



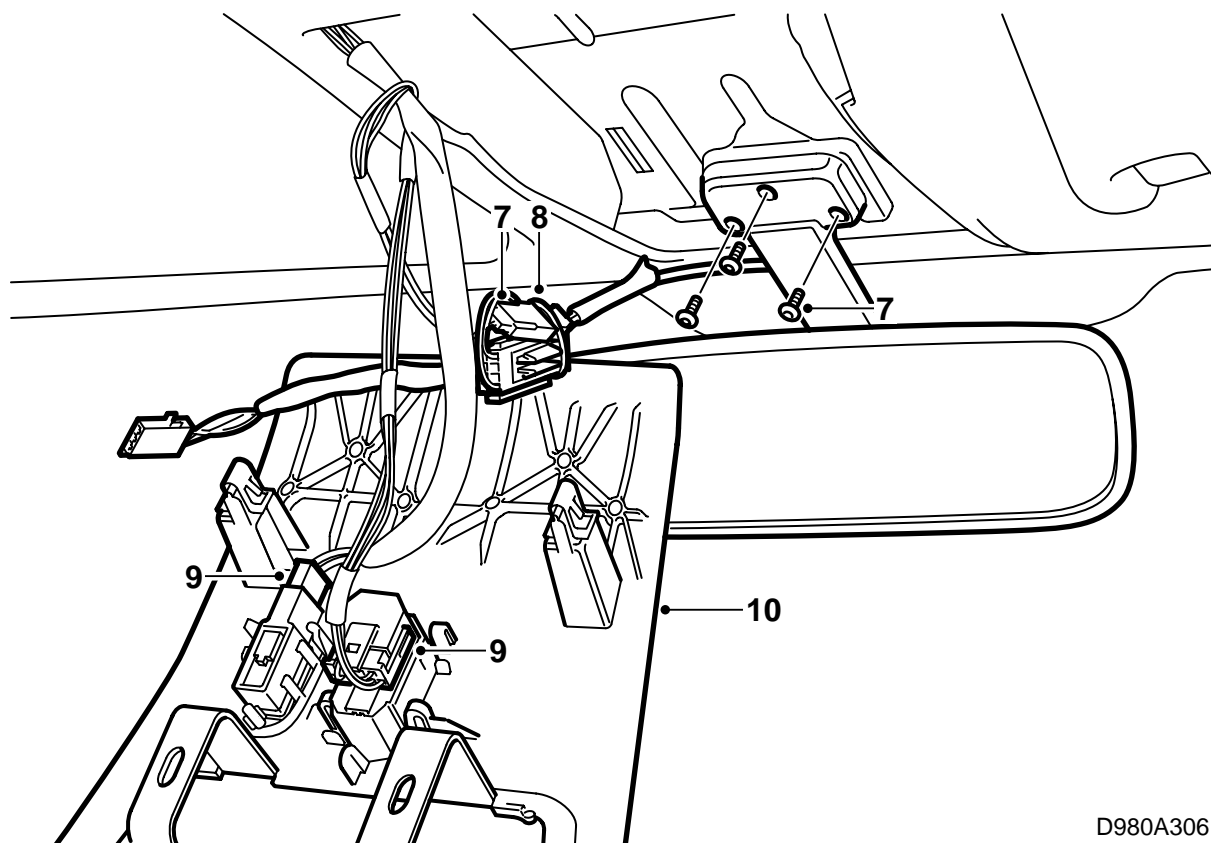
D980A304

- 1 Rearview mirror
- 2 Wiring harness
- 3 Cable tie



D980A305

- 1 Remove the fuse for the interior lighting.
- 2 Dismantle the interior light by the rear-view mirror.
- 3 **Cars with sunroof:** Dismantle the front part of the strip around the sunroof.
- 4 Remove the screws and the light console.
- 5 Unplug the connectors for the microphone and the interior light switch.
- 6 Remove the retaining screws and the mirror.



D980A306

- 7 Plug in the plug for the rear-view mirror and fit the mirror. Place the wiring harness to the left of the rear-view mirror.
- 8 Connect the wiring harness from the kit to the car's wiring harness and secure it with a cable tie adjacent to the headlining on the left-hand side. Secure the wiring harness in such a way that it will not rattle or squeak.
- 9 Plug in the connectors for the microphone and the interior light switch.
- 10 Fit the light console.

**⚠ WARNING**

Make sure the wiring harness is not pinched. Incorrect fitting can damage the cables and cause short-circuits/fire.

- 11 **Cars with sunroof:** Fit the strip around the sunroof.
- 12 Connect the interior lighting and fit it.
- 13 Refit the fuse for the interior lighting.
- 14 Hand over the installation instructions to the customer and bring attention to the user instructions.

### **User instructions**

The rear-view mirror has two sensors; one facing the front and the other facing the rear. When the front-facing sensor detects that it is dark outside, the system will be activated so that any bright light falling from behind will gradually darken the rear-view mirror to reduce the brightness. As the bright light subsides, the mirror will gradually return to normal.

Automatic anti-dazzle can be turned off with the button underneath the rear-view mirror.