

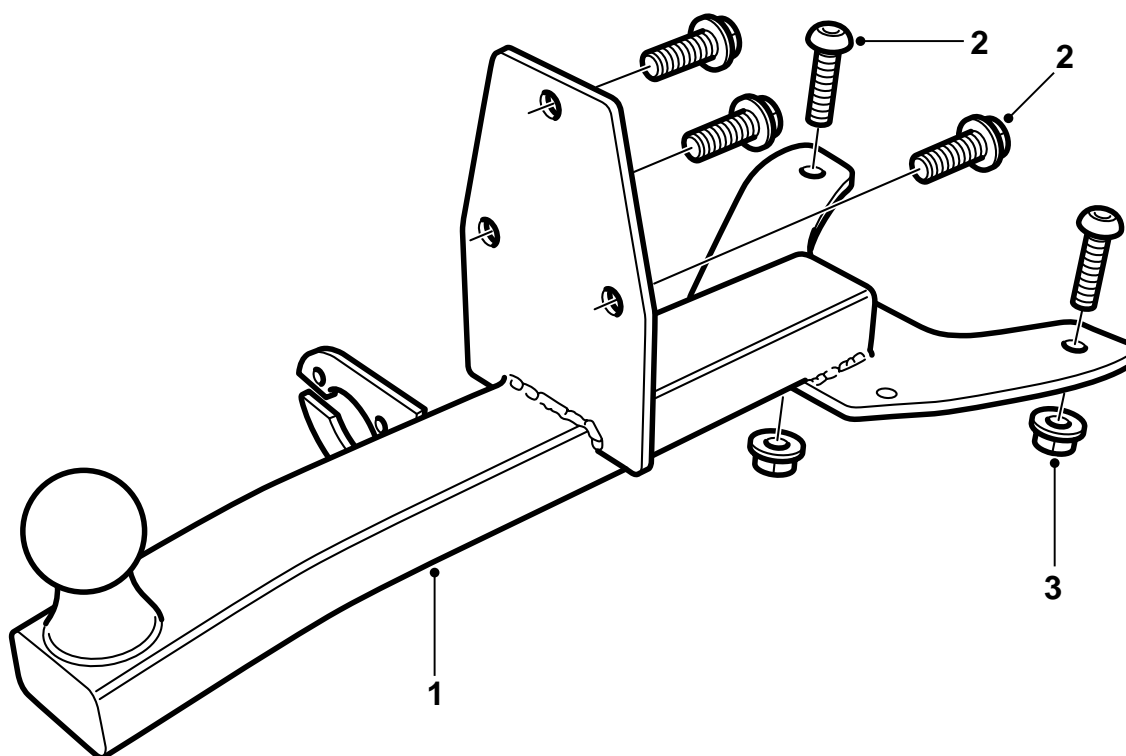


**MONTERINGSANVISNING · INSTALLATION INSTRUCTIONS
MONTAGEANLEITUNG · INSTRUCTIONS DE MONTAGE**

Saab 900 M94-, 9-3

Towing hitch, fixed

Accessories Part No.	Group	Date	Instruction Part No.	Replaces
400 129 441	8:60-36	Jun 01	86 97 641	86 97 641 Dec 00



D980A006

- 1 Towing attachment
- 2 Bolts
- 3 Nuts
- 4 Template, Saab 9-3

The towbar type plate is marked with Saab part no. 86 97 633.

Note

Always check the national legal requirements and regulations which apply to the mounting of a towing attachment. Make sure that they are complied with.

The towing attachment meets the requirements of 94/20/EEC.

Maximum permitted trailer weight:

Trailer with brakes: 1600 kg

Trailer without brakes: 50% of the curb weight of the towing vehicle, but not more than a maximum of 750 kg (1650 lbs).

Max. permitted weight on towbar: 75 kg

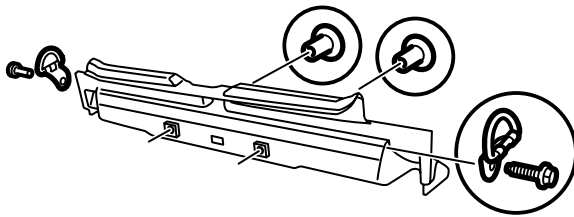
Weight, complete: 6.9 kg

Important

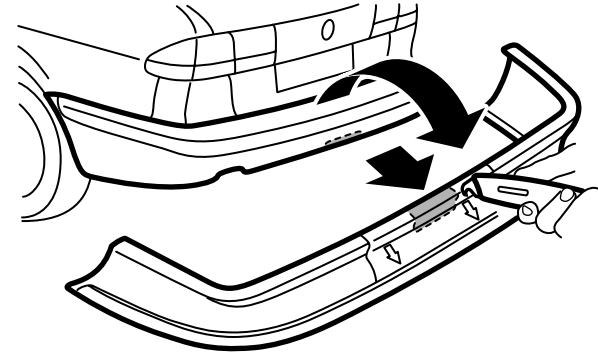
When the towing attachment has been mounted, the car must be inspected and these instructions presented to the inspecting authority.

Fitting and connecting the wiring harness for the towing attachment should be carried out as described in the instructions supplied with the wiring.

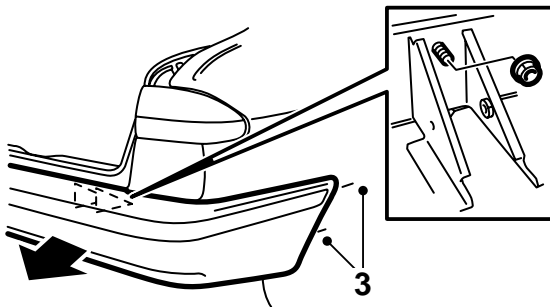
2



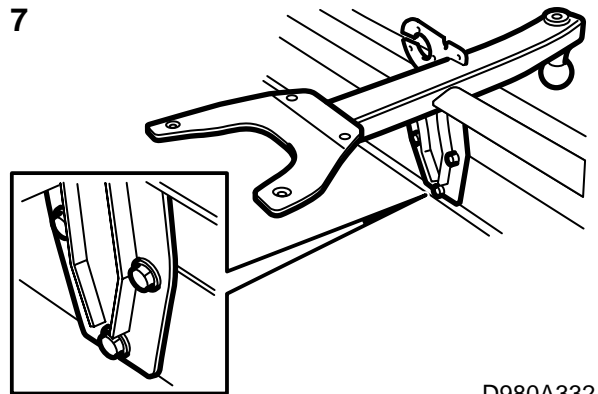
6



3



7



D980A332

- 1 Lift the spare wheel, foam block and tool kit out of the spare wheel well.
- 2 Remove the rear lashing eyes from the luggage compartment and remove the scuff plate.
- 3 Remove the rear bumper.
9-3 Aero M01-: Remove the plastic extension from the rear/lower edge of the rear wheel housings.
- 4 Cut out the template.

- 7 Remove the bolt from one of the holes in the bumper rail and fit the towing attachment to the bumper. Check that the line above the upper bolt of the towing attachment is parallel with the bumper rail.

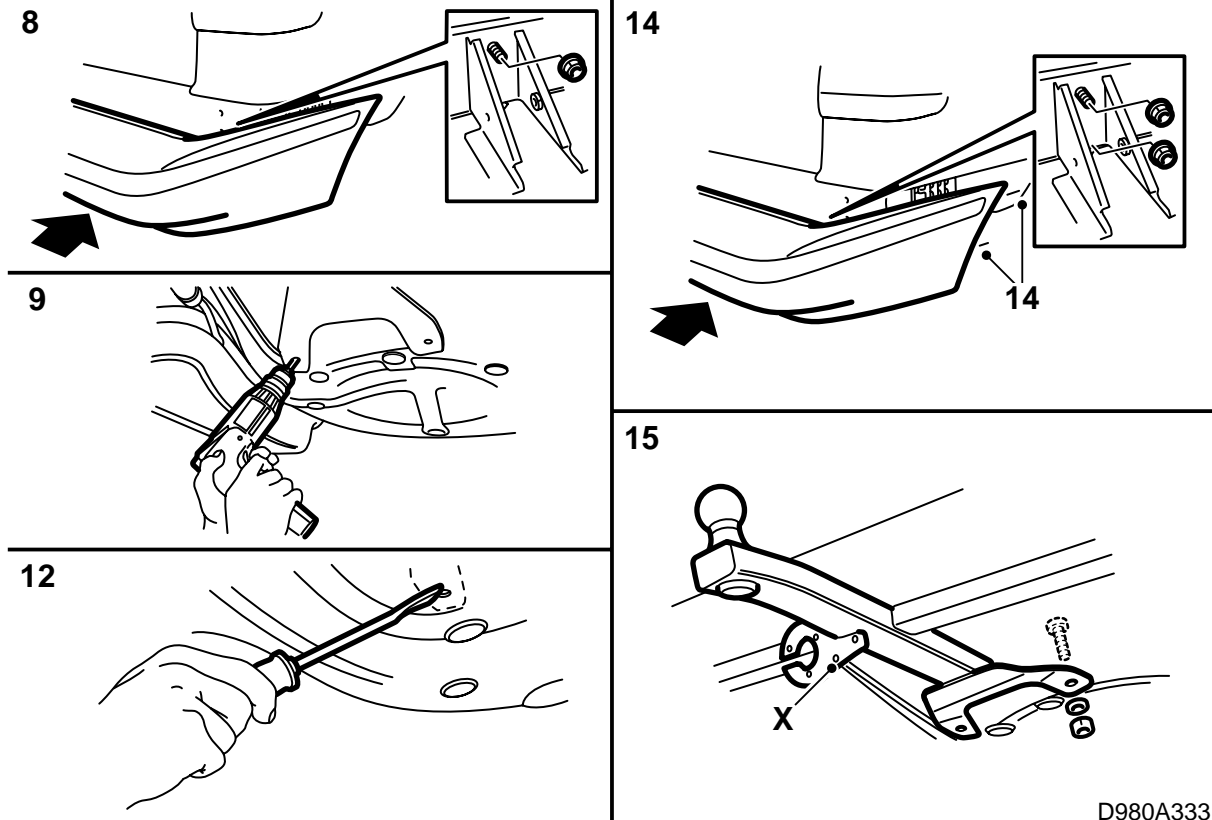
Tightening torque 40 Nm (30 lbf ft).

Carry out minor adjustment of the cut-out, if necessary.

Important

There are different templates for the different car models; Saab 900 M94-98 and Saab 9-3. There are also different templates for the different 9-3 variants; with or without rear bumper skirt and the 9-3 Aero M01-.

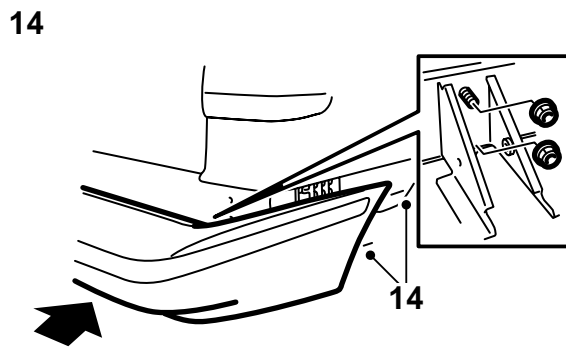
- 5 Position the template against the edge of the bumper shell (900 M94-98, 9-3 without rear bumper skirt and 9-3 Aero M01-) or the edge of the bumper skirt (9-3 with rear bumper skirt). The centre line of the template should be aligned with the arrow marking on the bumper indicating its centre. Affix the template with double-sided tape.
- 6 Cut along the line of the template (a jigsaw can be used).
9-3 with rear bumper skirt: There is another cover behind the outer cover and this must also be cut according to the template.



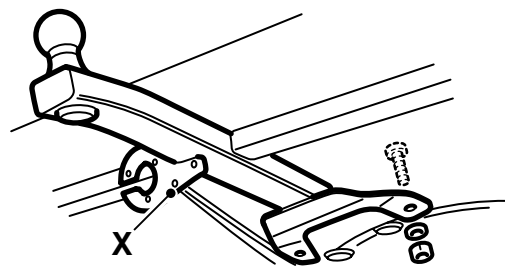
- 8 Mount the bumper, securing it with the two upper nuts.

Tightening torque 40 Nm (30 lbf ft).

- 9 Using the towing attachment as a template, drill 2 holes with a 10 mm bit in the spare wheel well. Mark the outline of the towing attachment in the underseal compound.
- 10 Remove the bumper.
- 11 Drill holes for the wiring harness, see the installation instructions for the wiring harness concerned.
- 12 Carefully scrape off all the underseal compound in the marked area. Remove all drillings, swarf, etc. from the luggage compartment, using a vacuum cleaner or the like.
- 13 Deburr the holes and remove loose drillings and flakes of paint. Clean with Teroson FL Cleaner. Apply Standox 1K Primer Filler. Coat with finish paint. Apply Terotex HV 400 (part No. 30 15 930) where the underseal has been scraped off.
- 14 Fit the bumper with four nuts (2 included in kit).
Tightening torque 40 Nm (30 lbf ft).
If necessary, tighten the bolts by the wheel housings.
9-3 Aero M01-: Fit the plastic extension to the lower/rear edge of the rear wheel housings.



15



D980A333

- 15 Secure the towing attachment by means of 2 nuts and 2 bolts fitted through the holes drilled in the spare wheel well. Fit the bolts from inside the luggage compartment.

Tightening torque 50 Nm (37 lbf ft).

- 16 Fit the sill scuff plate and the load-securing lugs in the luggage compartment.
- 17 Put the spare wheel and foam block back into the spare wheel well.
- 18 Place the fitting instructions in the car.

Important

If the installation is to be inspected, this must be done before the joints are sealed with thick corrosion-protection agent.

- 19 Apply Teroson T102 Underseal (part No. 30 15 989) round the towing attachment where it is secured to the body.

X Bracket for securing the trailer/caravan safety chain.

Template, Saab 900

Template, Saab 9-3 (part number 86 97 666)

Cut along the appropriate line in accordance with the list below.

- A Without bumper skirt
- B With bumper skirt
- C Aero M01-