

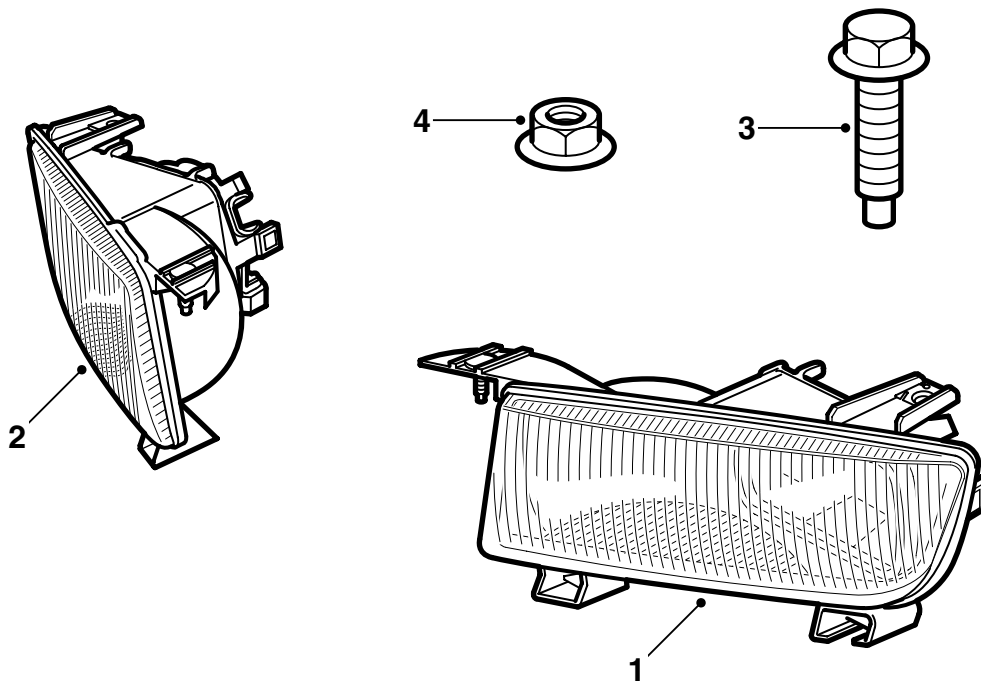


MONTERINGSANVISNING · INSTALLATION INSTRUCTIONS
MONTAGEANLEITUNG · INSTRUCTIONS DE MONTAGE

Saab 9-5 M02-

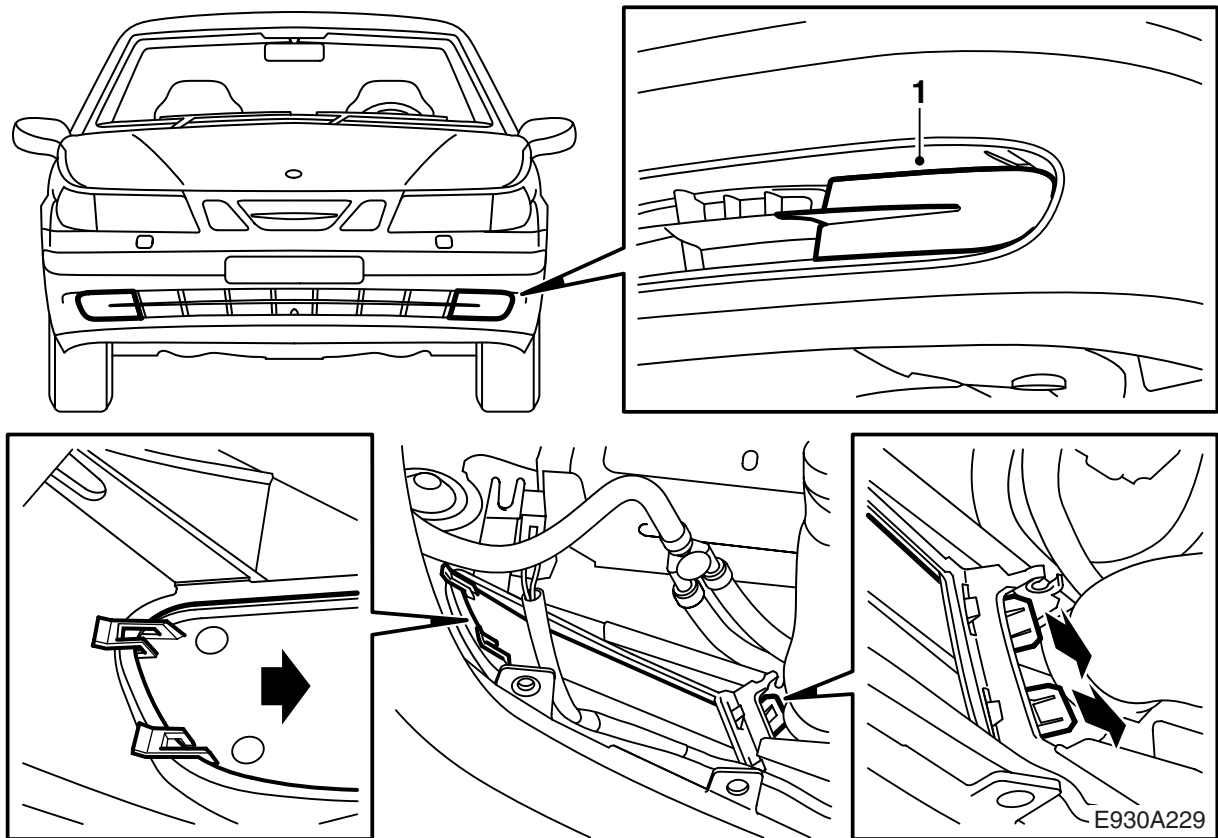
Fog lights

Accessories Part No.	Group	Date	Instruction Part No.	Replaces
400 130 068	9:35-04	Apr 01	54 06 582	

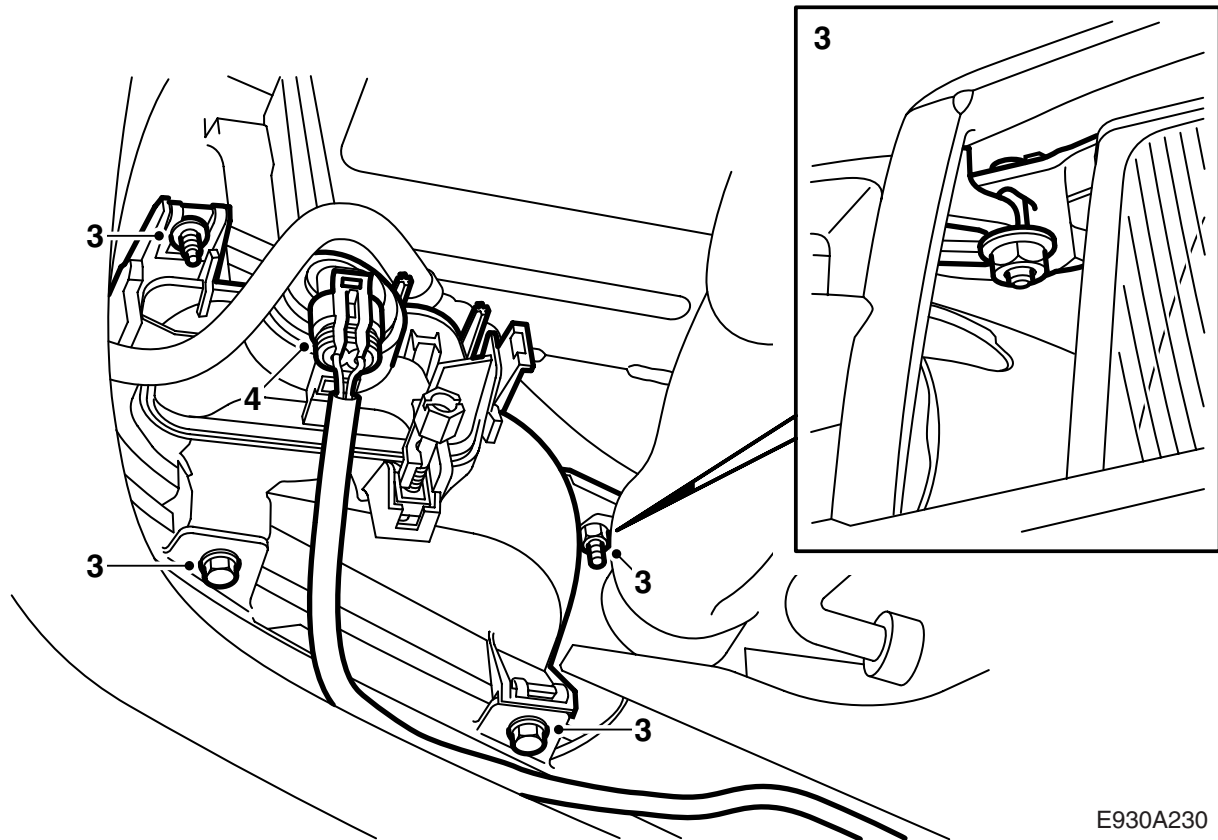


E930A228

- 1 Fog light, left
- 2 Fog light, right
- 3 Screw (x6)
- 4 Nut (x2)



- 1 Remove the covers on the lower part of the bumper by pressing in the catches behind the bumper shell. Pull out the covers and slide them towards the middle of the car.
- 2 Locate the existing wiring harness for the fog lights behind the covers (2-pin connector with red/black and black wires).



E930A230

- 3 Fit the fog lights by screwing them to the clip attachments on the lower flange and secure them at the top with a bolt and nut.
- 4 Plug in the fog lights.
- 5 Adjust the light pattern of the fog lights, making sure they will not dazzle oncoming traffic.
- 6 Ensure that the on/off function complies with applicable legislation.