

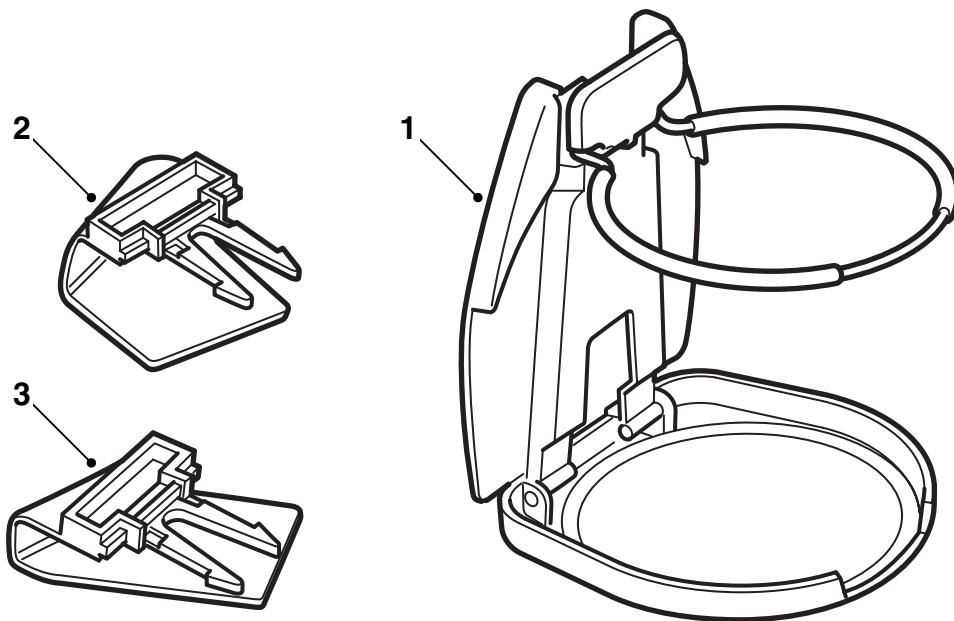


**MONTERINGSANVISNING · INSTALLATION INSTRUCTIONS
MONTAGEANLEITUNG · INSTRUCTIONS DE MONTAGE**

Saab 900 M94-, Saab 9-3

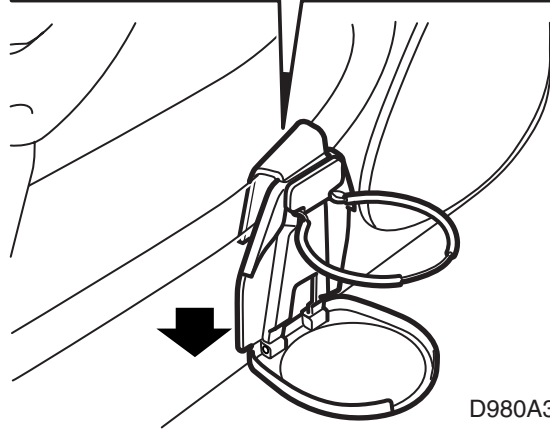
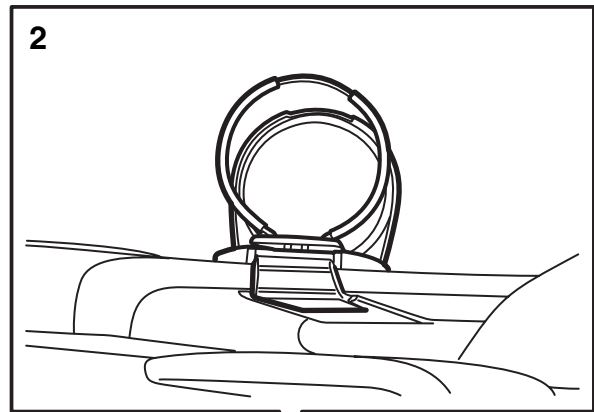
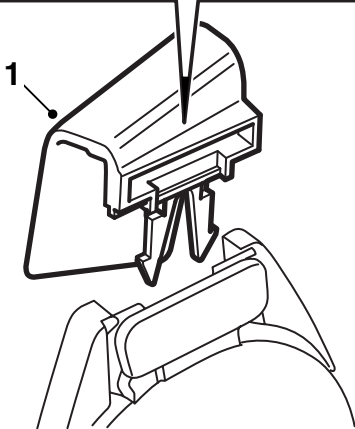
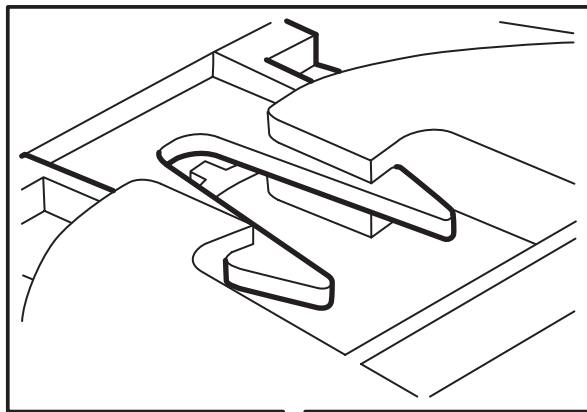
Mug holder for door pocket

Accessories Part No.	Group	Date	Instruction Part No.	Replaces
400 129 961 400 130 076	9:85-15	Nov 00	54 31 200	54 31 200 Oct 00



D980A327

- 1 Mug holder
- 2 Attachment, left (L)
- 3 Attachment, right (R)



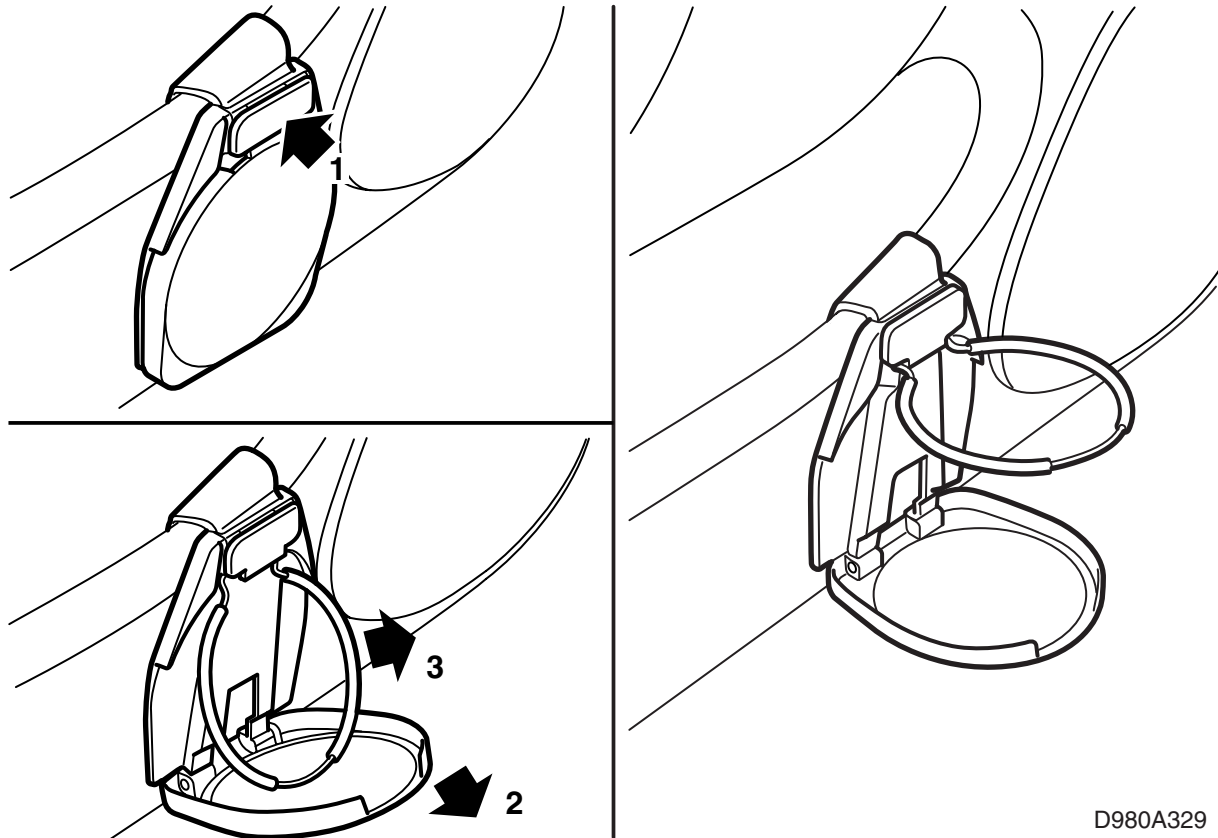
D980A328

- 1 Fit the bracket for the relevant side by pressing in the catches and inserting the attachment into the grooves in the mug holder. The attachments are marked L (left) and R (right) respectively.
- 2 Locate the groove in the pocket on the front door trim and fit the attachment into the groove.

Important

The mug holder attachment must be fitted into the door pocket groove in order for the mug holder to attain the correct position.

When dismantling the attachment, e.g. if the mug holder is to be fitted on the other side of the car, the catches on the attachment must be pressed together while the attachment is pulled away from the mug holder.



D980A329

User instructions

Opening the mug holder

The mug holder can be opened by pressing the button (1). The bottom flap will then tip downwards (2) and the support ring will tip upwards (3). The bottom flap must then be pushed all the way down until it clicks home.

Closing the mug holder

Close the mug holder by pressing down the support ring while pushing up the bottom flap. The bottom flap must be pressed inwards until it is locked by the button.