

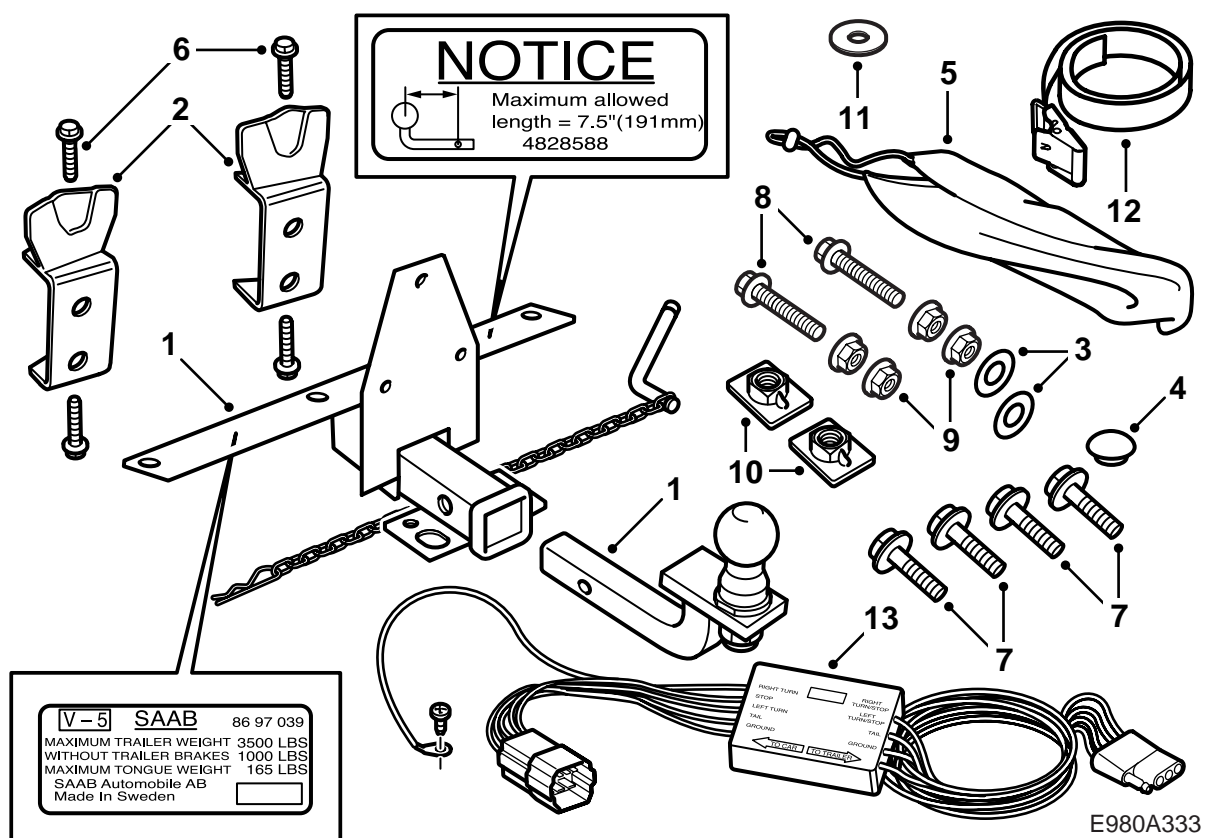


MONTERINGSANVISNING · INSTALLATION INSTRUCTIONS MONTAGEANLEITUNG · INSTRUCTIONS DE MONTAGE

Saab 9-5 5D

Towbar

Accessories Part No.	Group	Date	Instruction Part No.	Replaces
400 130 340	8:60-43	Apr 01	86 98 219	



- 1 Towing attachment
- 2 Reinforcement (x2)
- 3 Seal (x2)
- 4 Rubber plug
- 5 Storage bag
- 6 Bolt, taptite (x4)
- 7 Bolt M10X30 (x7)
- 8 Bolt M10X50 (x2)
- 9 Nut (x4)
- 10 Nut plate (x2)
- 11 Washer (x2)
- 12 Belt
- 13 Wiring harness with diode box

Note

Always check the national legal requirements and regulations applicable to fitting a towbar. Make sure that they are complied with.

Saab part no. 86 97 930

The trailer towing unit has been designed and tested in accordance with testing standard V-5 and is adapted for Class 2.

Maximum permissible trailer weight:

Braked trailer: 3500 lbs (1587 kg)

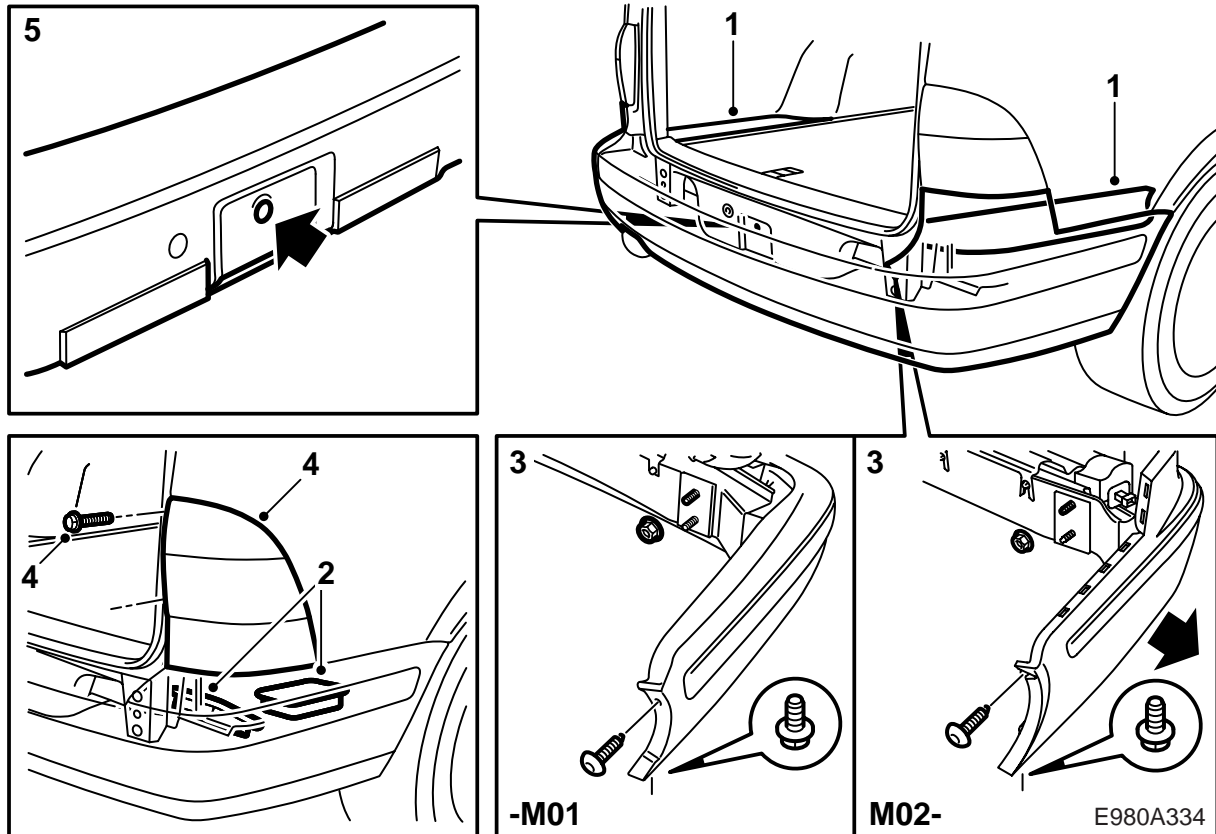
Trailer without brakes: 1000 lbs (455 kg)

Max. permissible weight on towing ball: 165 lbs (75 kg)

Weight, complete: 21.5 lbs (9,8 kg)

Important

The wiring harness must be connected as described in these instructions. This is mandatory. If connected differently, the car's electronic systems could be adversely affected.

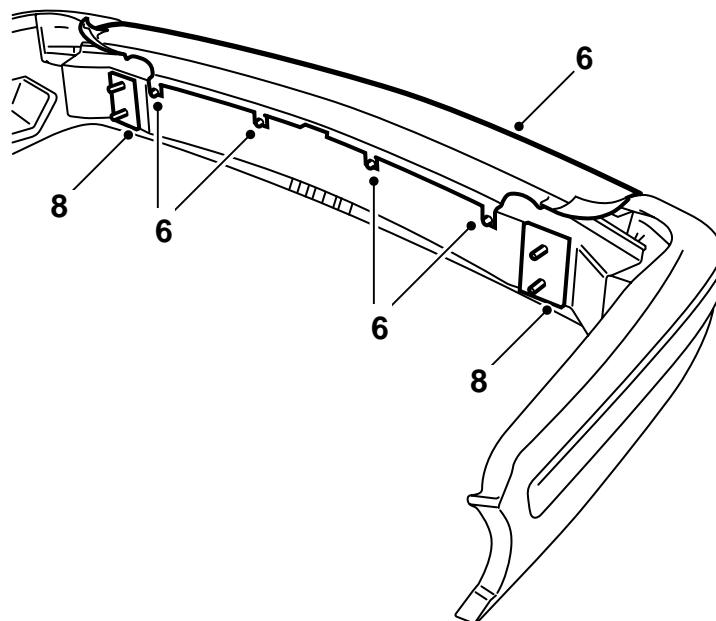
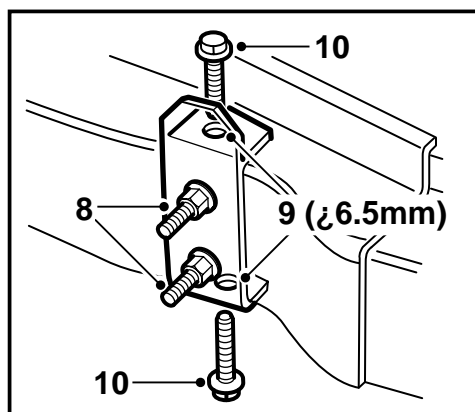
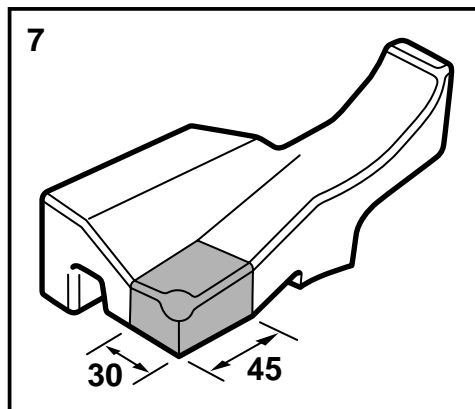


- 1 Remove the outer parts of the luggage compartment floor.
- 2 Pull out the storage compartment and remove the foam pads (2 on each side) from the rear edge of the body.
- 3 **-M01**: Detach the bumper by removing the bolts at the wheel housing and the nuts from the luggage compartment.
M02-: Detach the bumper by removing the bolts at the wheel housing and the nuts from the luggage compartment and pulling the side section of the bumper outwards.
Cars with SPA: Detach the connector.

Important

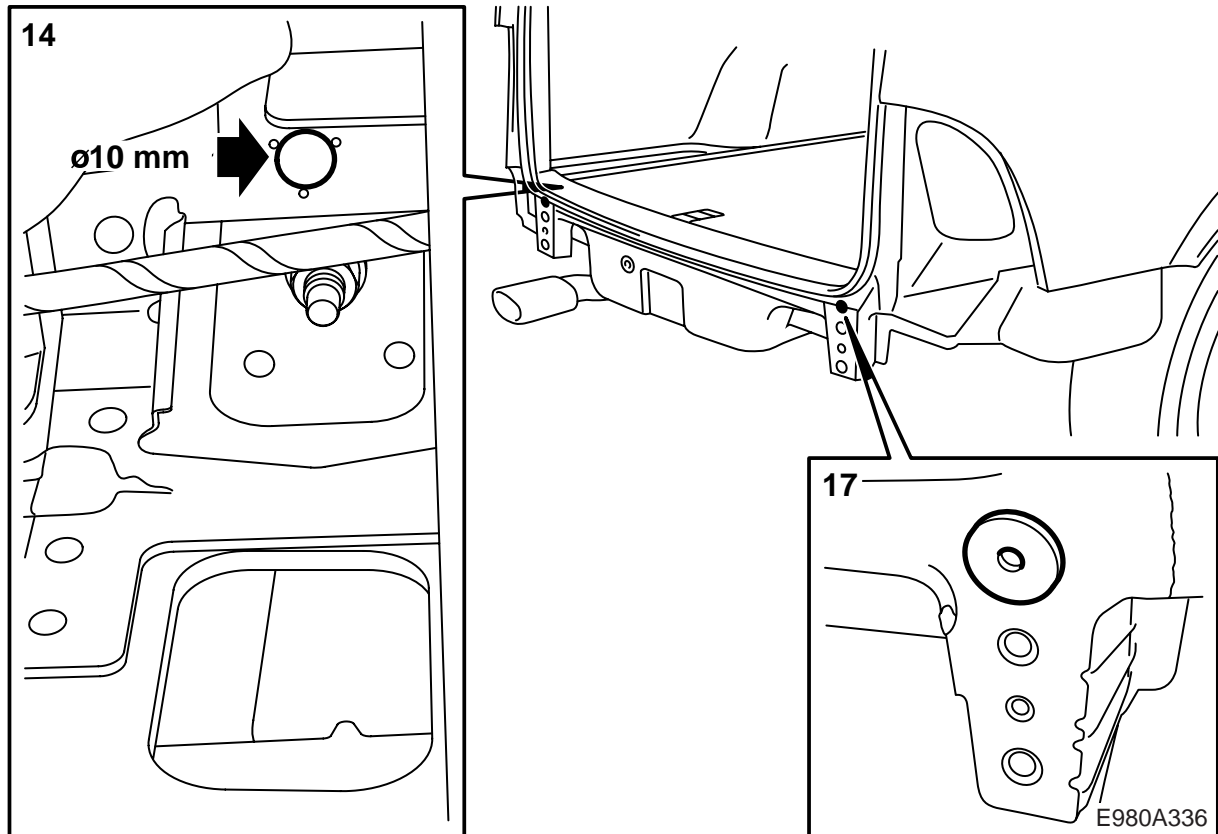
Place the bumper on a clean, soft surface.

- 4 **-M01**: Remove the rear lamp clusters by taking off the two covers over the bolts, removing the bolts, and pulling off the attachments in the front edge of the clusters.
- 5 Remove the jack and towing eyes and fit the rubber plug.



E980A335

- 6 -M01: Slightly loosen the bolts of the upper portion of the bumper shell and carefully pull the upper portion of the shell out of its snap brackets.
- M02-**: Slightly loosen the bolts of the upper portion of the bumper shell, detach the corners of the bumper moulding, and carefully pull the upper portion of the shell out of its snap brackets.
- M02- with SPA:** Remove the sensor connectors.
- 7 Remove the bumper shell supports. Cut the left-hand support as in the illustration and the right-hand support in a corresponding manner.
- 8 Remove the spacer washers from the bumper rail and fit the reinforcements in their place. Tighten the four retaining nuts of the bumper to secure the reinforcements.
- 9 Use protective goggles and drill the four holes in the bumper rail with a 6.5 mm bit. Clean away the drilling debris from the bumper rail.
- 10 Fit the taptime bolts (self-tapping).
Tightening torque 25 Nm (20 lbf ft).
- 11 Remove the nuts and fit in the bumper shell supports.

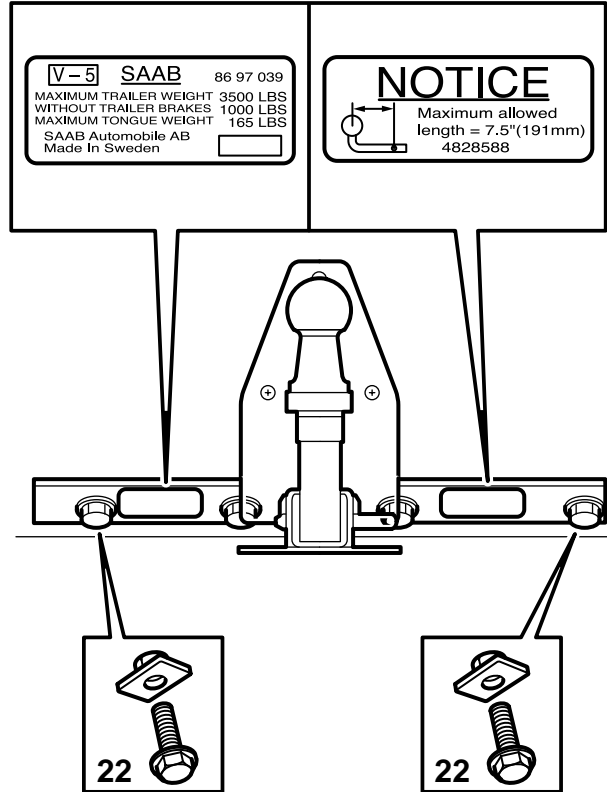
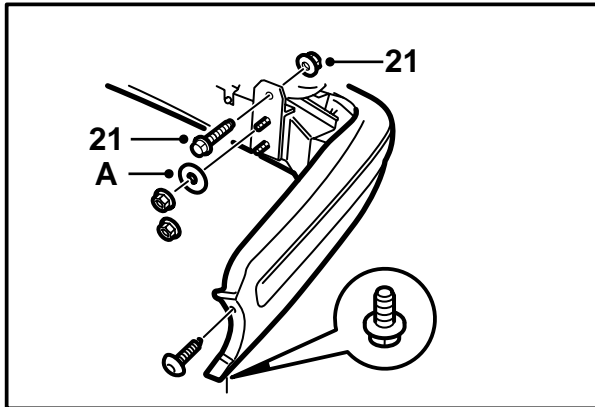
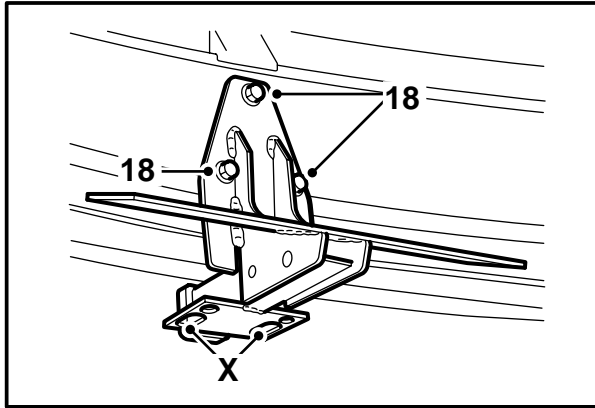


- 12 **-M01:** Scrape away sealant from where the bumper reinforcements will lie against the body.
- 13 Fit the bumper and secure it to the body with the two upper nuts.
- 14 Use protective goggles and a 10 mm bit to drill through the females, the holes in the rear end panel and the reinforcements.

Important

Be careful not to damage the car's cable harness.

- 15 Remove the bumper and clean all debris from the luggage compartment.
- 16 Deburr the holes and remove loose splinters and flakes of paint.
- 17 Fit the seals on the body (self-adhering) and apply cavity seal Terotex HV 400 (part no. 30 15 930) on internal surfaces.
- M01:** Apply corrosion protection to the surfaces from which body sealant was scraped away.



E980A337

18 Remove the bolt fitted in one of the holes in the bumper rail and fit the towing bracket to the bumper. Check that the line above the upper bolts of the towing bracket is parallel to the bumper rail.

Tightening torque 40 Nm (30 lbf ft).

X Eye for attachment of the trailer/caravan safety chain.

19 Fit the bumper.

Cars with SPA: Attach the connector.

20 **-M01:** Fit the bumper to the car with four nuts.

M02-: Fit the bumper to the car with four nuts, fitting washers (A) under the top nuts.

Tightening torque 40 Nm (30 lbf ft).

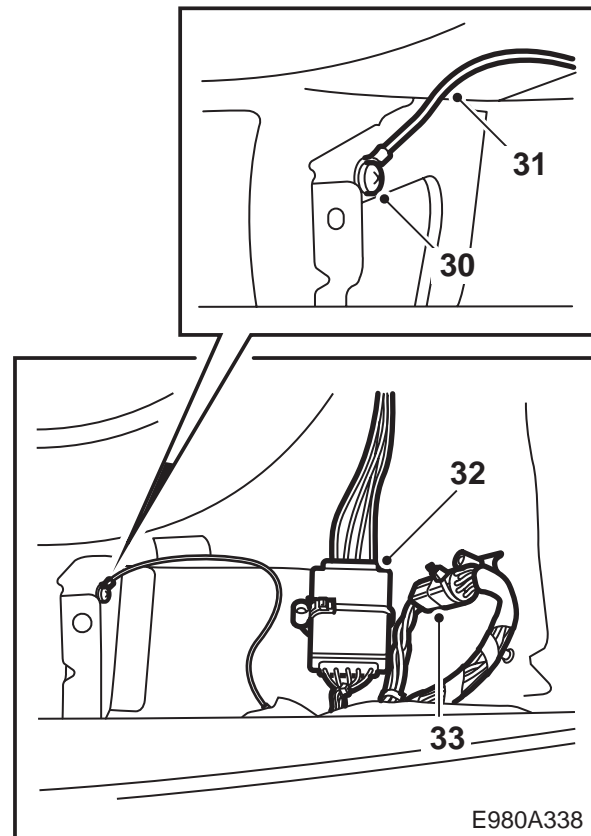
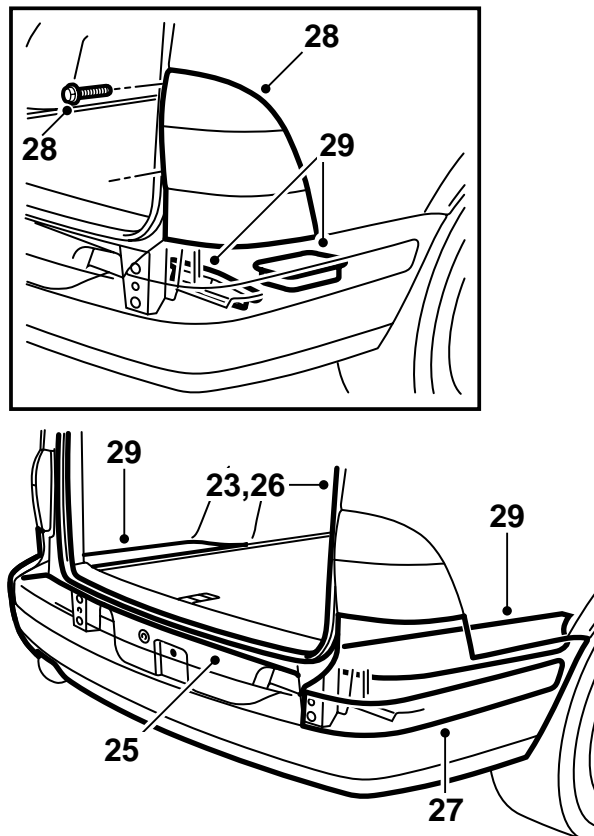
Fit the bolts at the wheel housings.

21 Secure the reinforcements to the car.

Tightening torque 40 Nm (30 lbf ft).

22 Fit the bolts and nut plates that hold the towing bracket on the body.

Tightening torque 40 Nm (30 lbf ft).

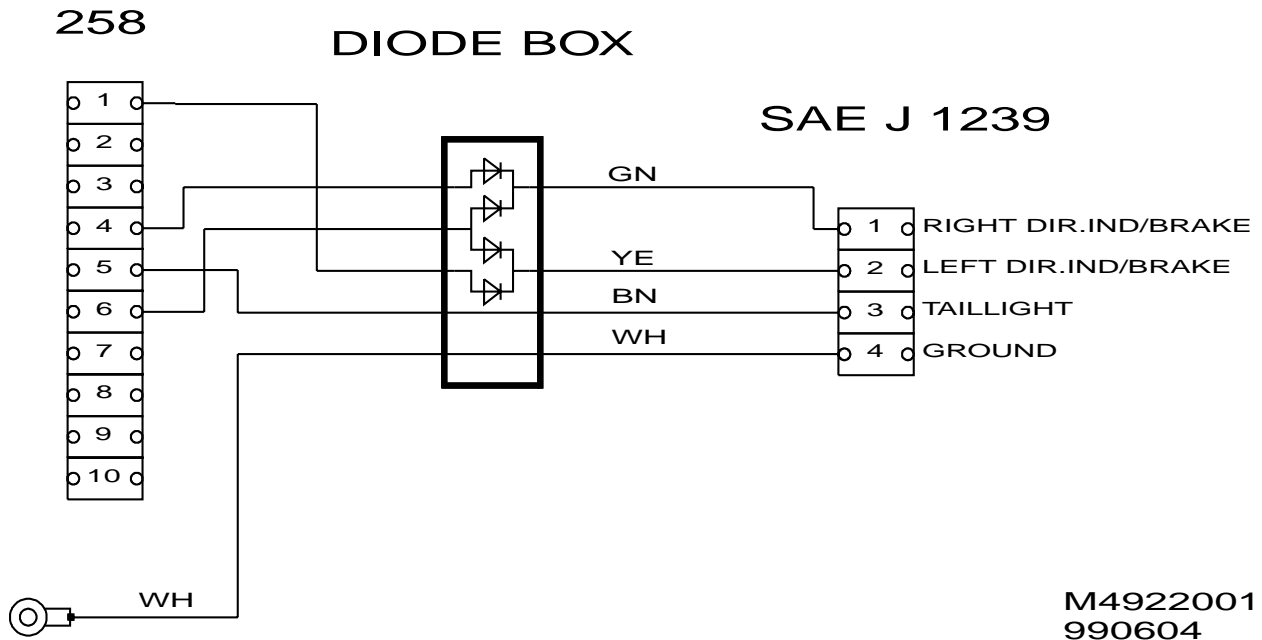


E980A338

- 23 Remove the lower portion of the sealing strip around the tailgate opening.
- 24 **M02- with SPA:** Connect the sensors.
- 25 **-M01:** Fit the upper portion of the bumper's casing by first fitting it against the four bolts of the bumper rail. Then continue by pressing the top of the casing into place using the catches around the edge. Tighten the bolts.
M02-: Insert the upper portion of the bumper's casing in the cavity in the bumper shell and fit the tabs against the four bolts in the bumper rail. Use a large screwdriver to fit the tabs behind the bolts' washers. Tighten the bolts.
- 26 Fit the sealing strip around the tailgate opening.
- 27 **M02-:** Fit the corners of the bumper moulding.
- 28 **-M01:** Fit the rear lamp clusters.
- 29 Fit the jack into the tool compartment, fit the foam pads over the bumper brackets in the luggage compartment and put the storage compartment and the outer parts of the luggage compartment floor back in place.
- 30 Lift up the luggage compartment floor and drill a 5.5 mm hole in the right-hand reinforcement plate, as shown.
- 31 Bolt the ground cable of the wiring harness to the reinforcement plate. Do this in such a way that the cable does not cover the hole in the reinforcement plate. Run the ground cable under the diode box and secure it to the floor with tape.
- 32 Press the wiring harness's diode box onto the right-hand weld bolt on the floor, as shown.
- 33 Plug the wiring harness connector into the car's connector.
- 34 Place the installation instructions inside the car.
- 35 On occasions when the hook unit is not fitted, it must be stored in the spare wheel and secured with the strap supplied. The strap must be put through two of the holes in the wheel rim and round the hook unit.

Wiring diagram, wiring harness with diode box

The table refers to connector 258 on the car.



Pin nr	
1	Left-hand direction indicator
2	Rear fog light (on/off)
3	Rear fog light
4	Right-hand direction indicator
5	Right-hand rear light
6	Brake lights
7	Left-hand rear light
8	Reversing lights
9	+30
10	+54