

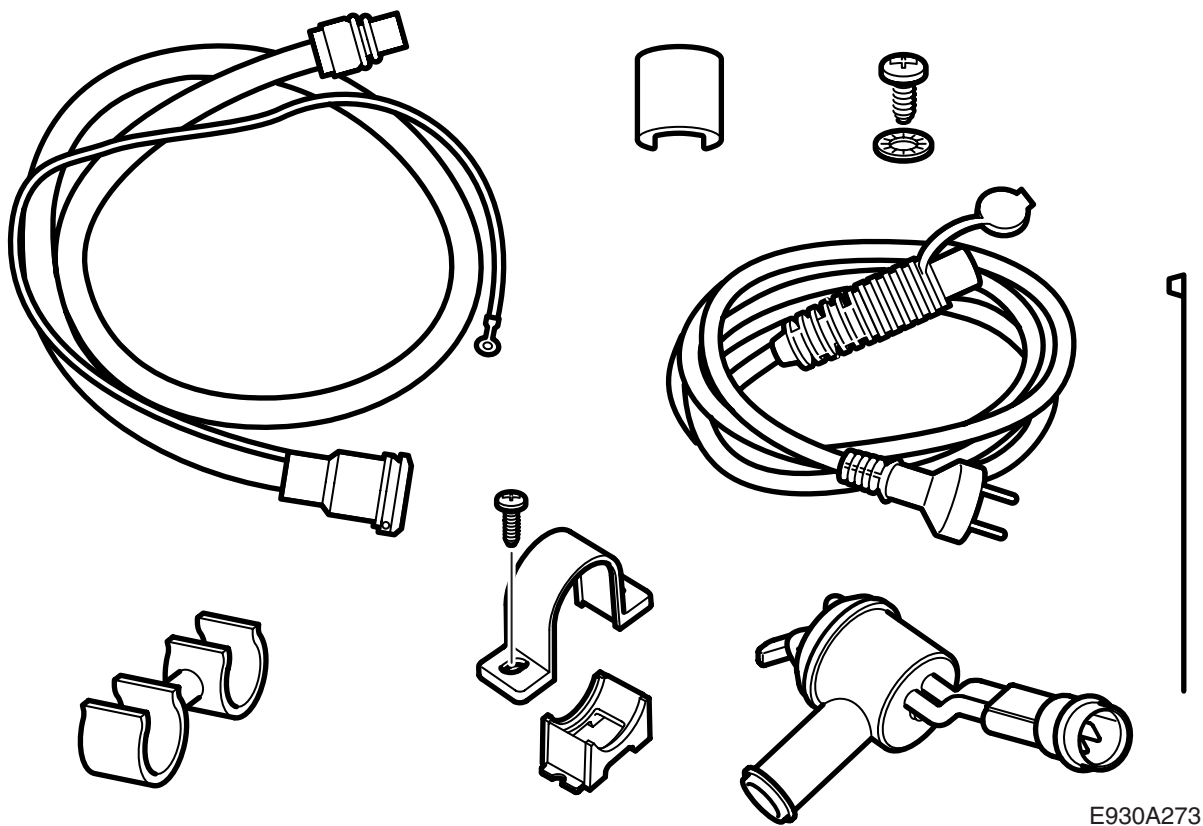


**MONTERINGSANVISNING · INSTALLATION INSTRUCTIONS  
MONTAGEANLEITUNG · INSTRUCTIONS DE MONTAGE**

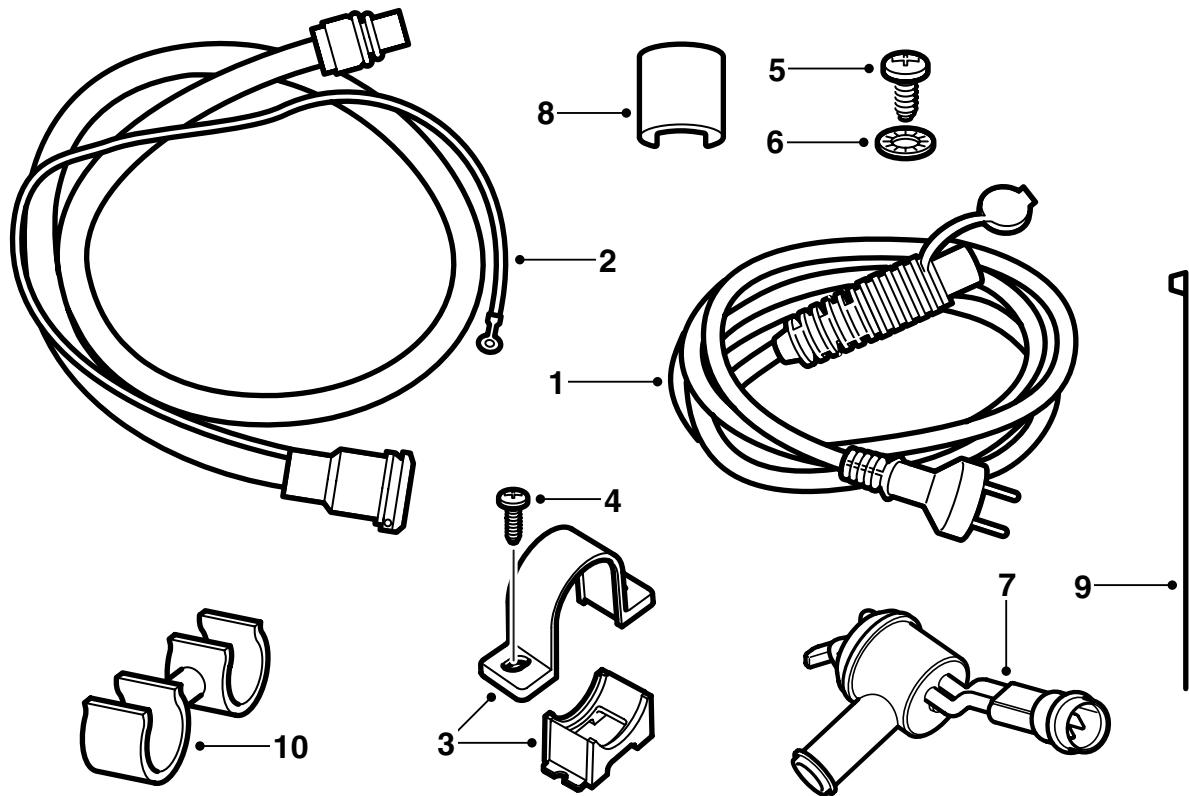
## Saab 9-5 D223

### Parking heater

Accessories Part No.	Group	Date	Instruction Part No.	Replaces
400 132 049	9:87-33	Jan 02	54 62 411	

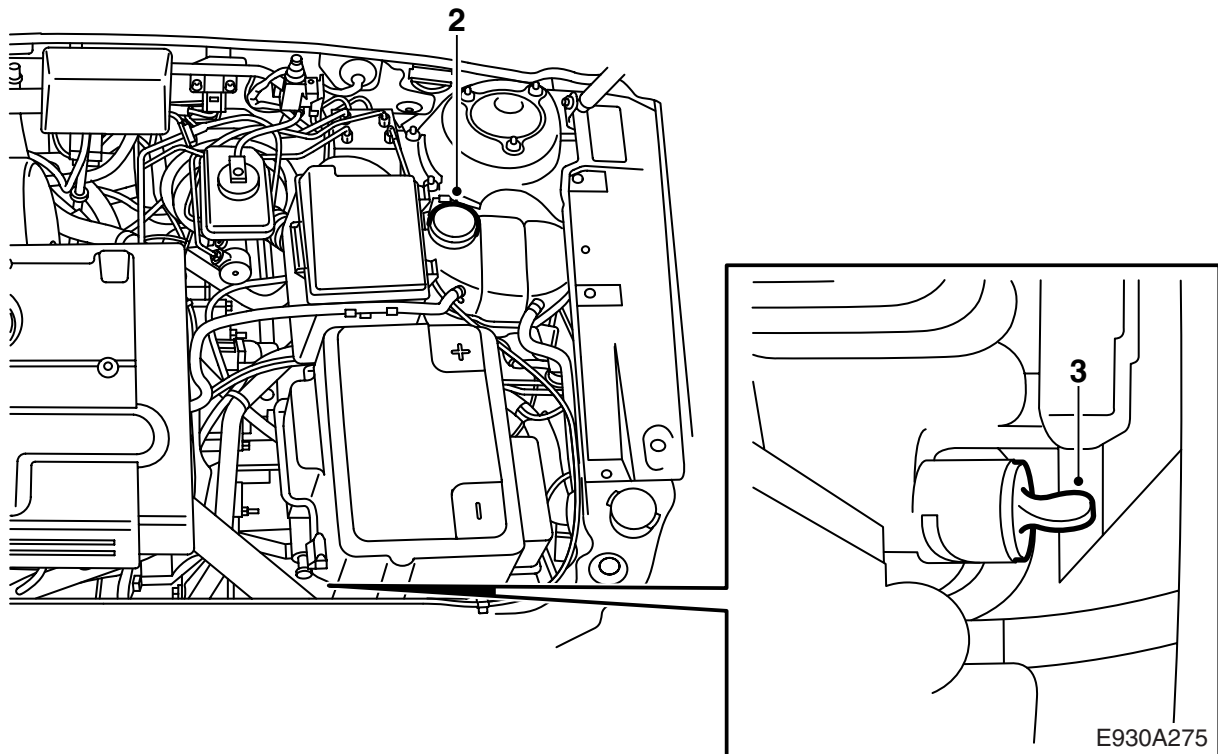


E930A273



E930A274

- 1 Extension cable
- 2 Connector plug and connector cable
- 3 Holder
- 4 Bolt (x2)
- 5 Bolt
- 6 Star washer
- 7 Heating element
- 8 Locking clip
- 9 Cable tie (5)
- 10 Clip

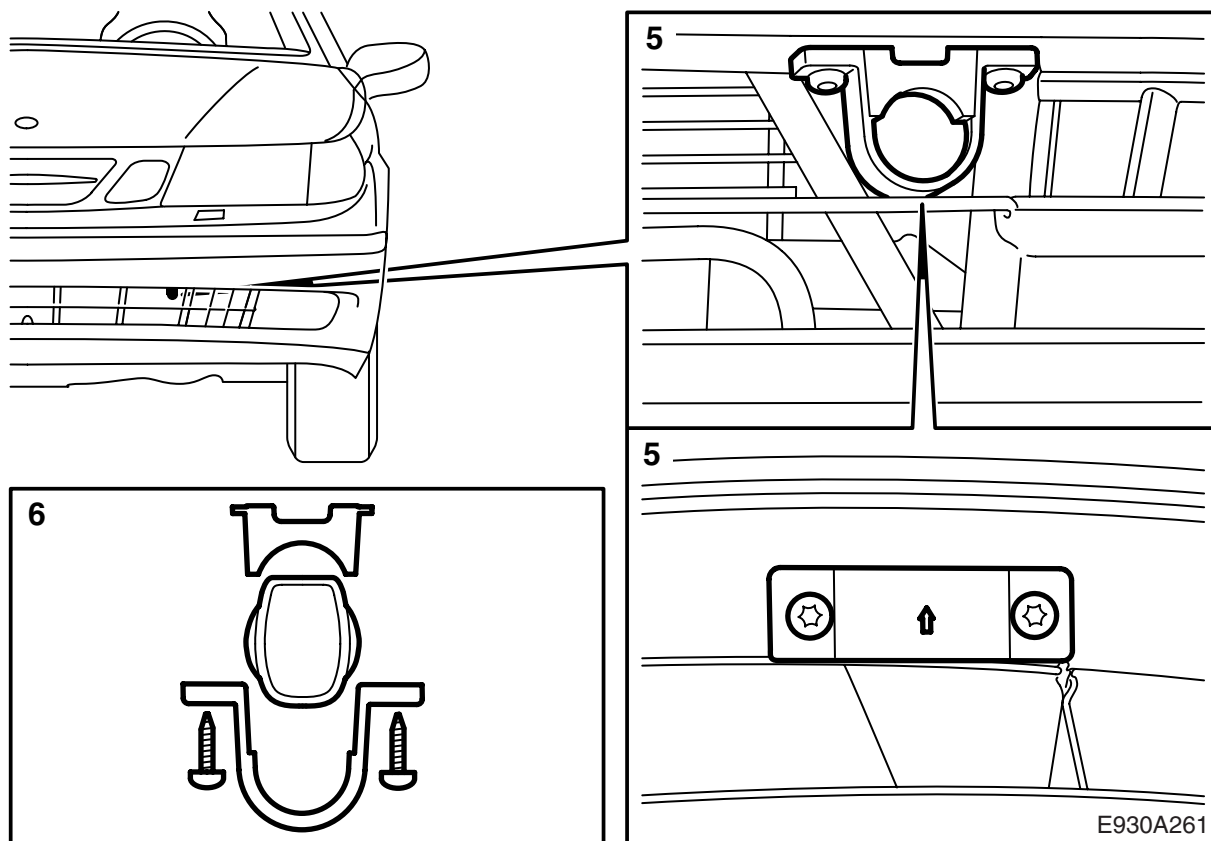


- 1 Read fully through the installation instructions and check that all the parts are present in the kit.
- 2 Lay covers on the wings and remove the cap on the cooling system expansion tank.

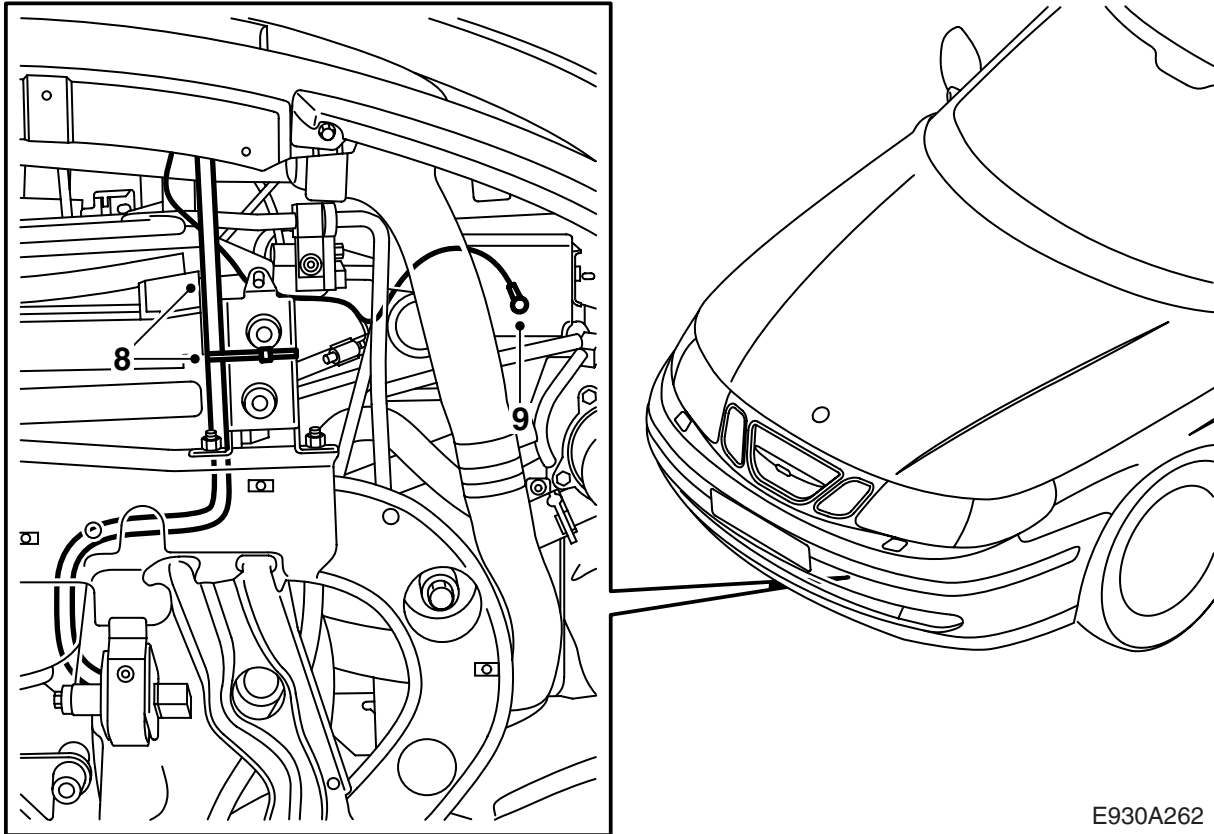
**⚠ WARNING**

Take care if the engine is hot. The coolant will also be hot. You could get burnt if you brush against the exhaust manifold.

- 3 Raise the car. Get a suitable receptacle to collect the coolant. Remove the air shield behind the bumper and the sound insulation from under the engine. Connect a hose to the drain plug, open the drain plug and drain the coolant.

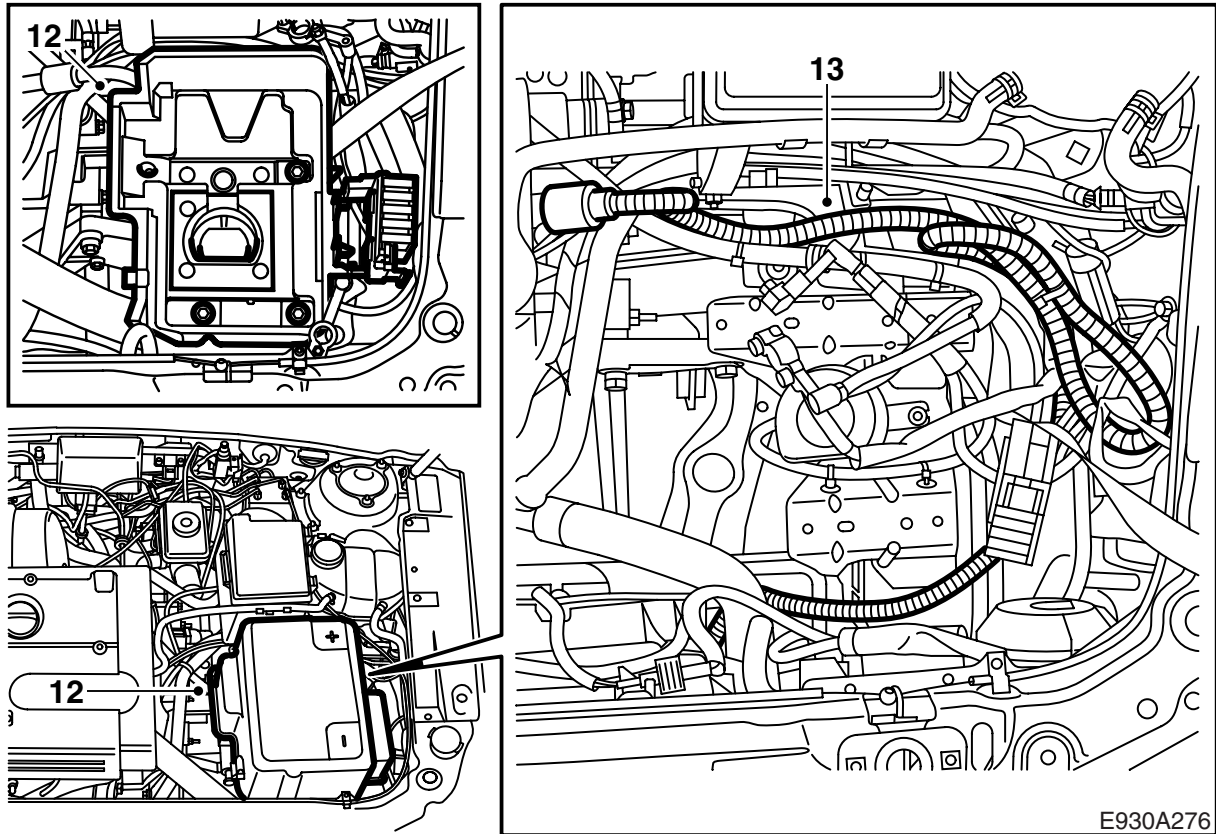


- 4 Lower the car to a suitable working height for fitting the connector plug to the bumper shell.
- 5 Mark the location for the connector plug holder. The arrow should point forward. Make holes with an awl.
- 6 Place the connector plug in the holder. The cover should open upward. Mount the holder on the bumper.
- 7 Raise the car and close the drain plug.

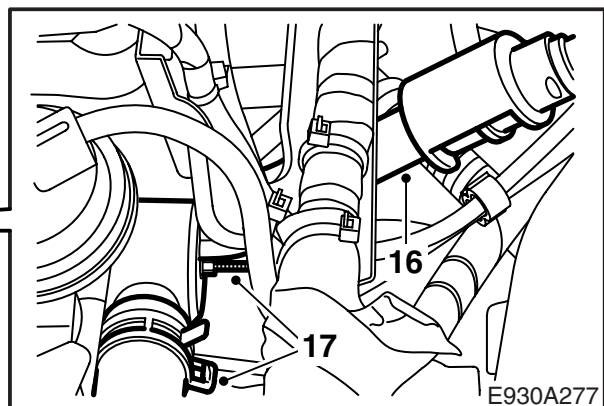
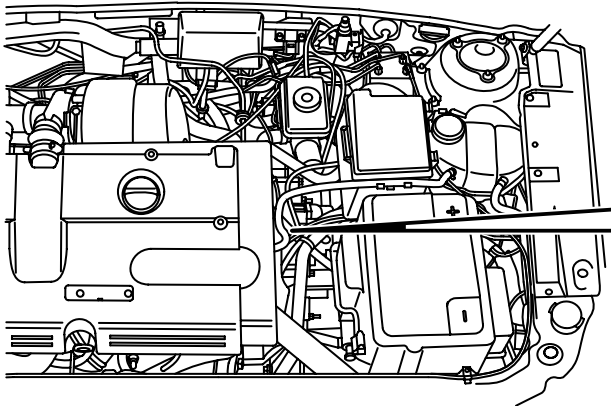
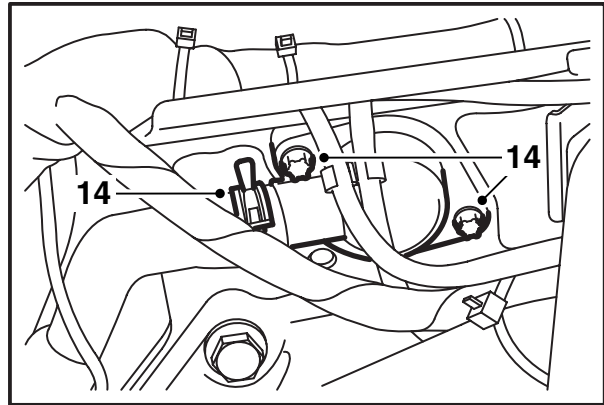
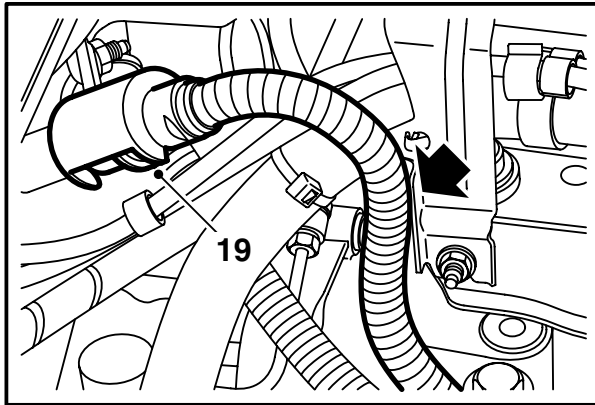


E930A262

- 8 Insert the connecting cable between the radiator and the subframe. Lay the cable connector on top of the gearbox.
- 9 Use a 3.5 mm bit to drill a hole in the underside of the left-hand structure leg for the ground lead.
- 10 Scrape clean from paint for satisfactory grounding and secure the ground lead with a bolt and star washer (the star washer should be placed between the ground lead cable terminal and the body). Apply thin-bodied corrosion protection, part no. 30 15 971. Fix the ground lead along the connecting cable.
- 11 Fit the air shield and sound insulation. Lower the car.



- 12 Remove the battery and battery shelf.
- 13 Route the connector cable around where the battery is located and towards the end of the cylinder head.



- 14 Remove the coolant hose from the coolant coupling on the cylinder head. Remove the coolant coupling from the cylinder.
- 15 Apply acid-free petroleum jelly, part no. 30 06 665, or equivalent to the heating element O-ring.
- 16 Adjust the T-shaped support on the heating element so that this is placed vertically and position the heating element. Make sure the connection pipe for the coolant hose is angled in the same way as the original hose connection. Do not tighten the nut securing the heating element.
- 17 Tighten the nut.  
**Tightening torque 3.5 Nm (2.5 lbf ft)**  
Connect the coolant hose to the heating element.
- 18 Apply acid-free petroleum jelly, part no. 30 15 286 or equivalent, to the O-ring on the connecting cable and connect the cable to the heating element.
- 19 Fit the lock clip over the connection. A click should be heard when the lock clip is fitted correctly.

- 20 Secure the connector cable with cable ties.

**⚠ WARNING**

Make sure the cable does not rub against any sharp edges or hot surfaces. Damage caused by chafing and melting could cause a short circuit or even a fire.

- 21 Fit the battery tray and the battery.

- 22 Check the ground connection between the ground pin on the connector plug, the heater casing and the car body.
- 23 Fill up with coolant and check the system for leaks.
- 24 Bleed the cooling system in the following way:

### **Note**

The A/C or ACC should be turned OFF.

Fill the cooling system to MAX and close the cap on the expansion tank.

Connect an exhaust extraction hose.

Start the engine and run it a short while at varying engine speeds.

Check that there is a continuous flow of coolant through the bleeder hose running from the thermostat housing in the cylinder head to the expansion tank.

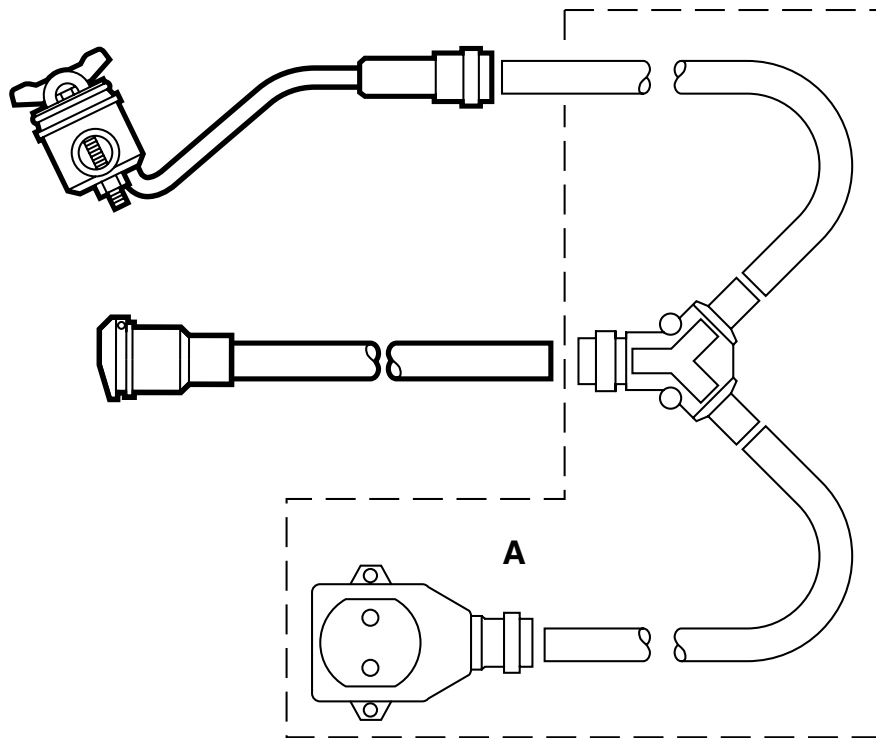
Switch off the engine, carefully open the expansion tank and top up to the MAX marking. Close the cap.

Run the engine at varying engine speeds until the thermostat has opened and the radiator fan started.

Switch off the engine and top up the coolant as necessary to the MAX mark.

- 25 Check that the cooling system does not leak and that the heater works.
- 26 Adjust the clock and the date and, if the car has a non-Saab radio, enter the radio code.
- 27 Place the installation instructions in the car and draw the customer's attention to the user instructions.





D930A036

A Branching kit

## User instructions

- The extension lead must be a rubber cable, resistant to oil and approved for outdoor use with an area of at least 3x1.5 mm<sup>2</sup>.
- The parking heater must be connected to a grounded outlet only.
- Treat all cables with caution. Watch out for damage caused by jamming the cable between the hood (bonnet) and the car body, and for cuts caused by sharp metal objects.

 **WARNING**

Check the ground connection between the ground pin in the socket, the heater element housing and the car body regularly.

- Inspect the extension lead regularly for damage and ageing. A damaged lead must be replaced immediately.

### Note

The function of the heater can be at risk if:

- the coolant is polluted
- the coolant level is too low or if there is air in the system
- ice sludge is present in the system
- radiator cement is used