

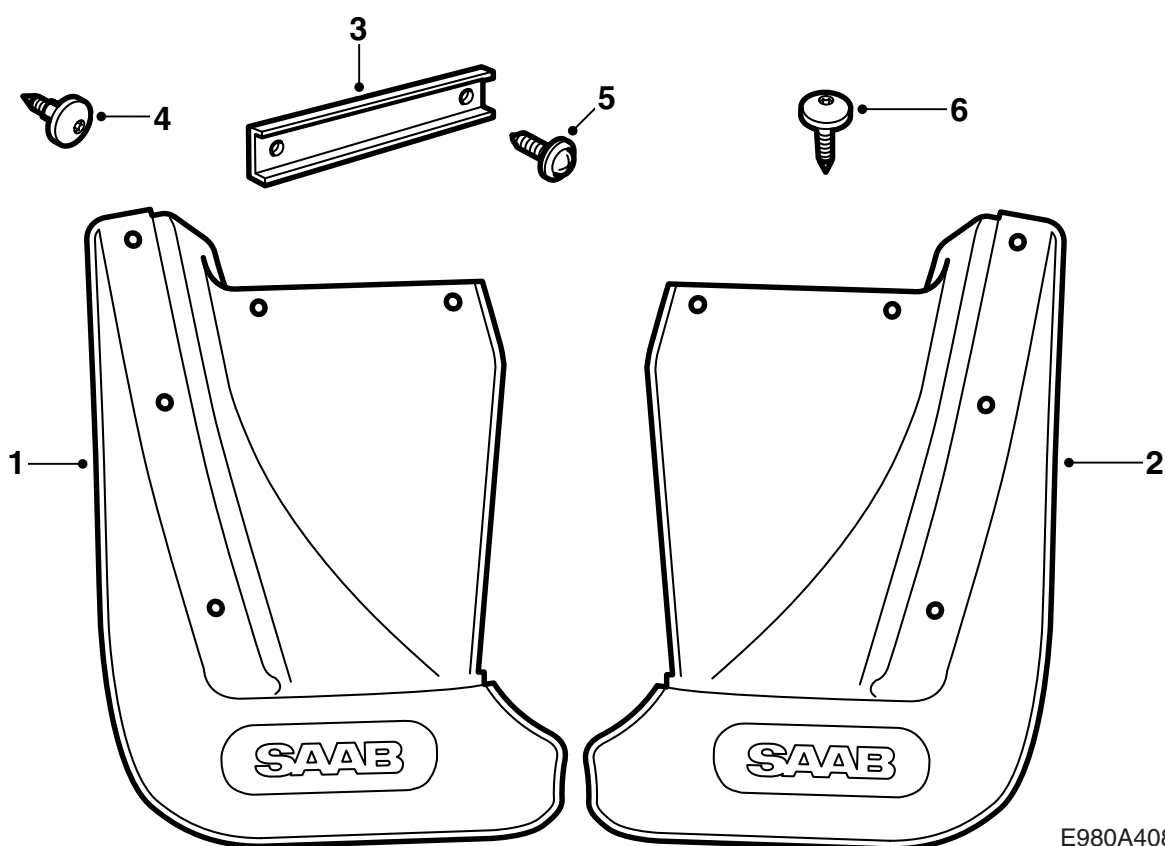


MONTERINGSANVISNING · INSTALLATION INSTRUCTIONS  
MONTAGEANLEITUNG · INSTRUCTIONS DE MONTAGE

## Saab 9-5 5D

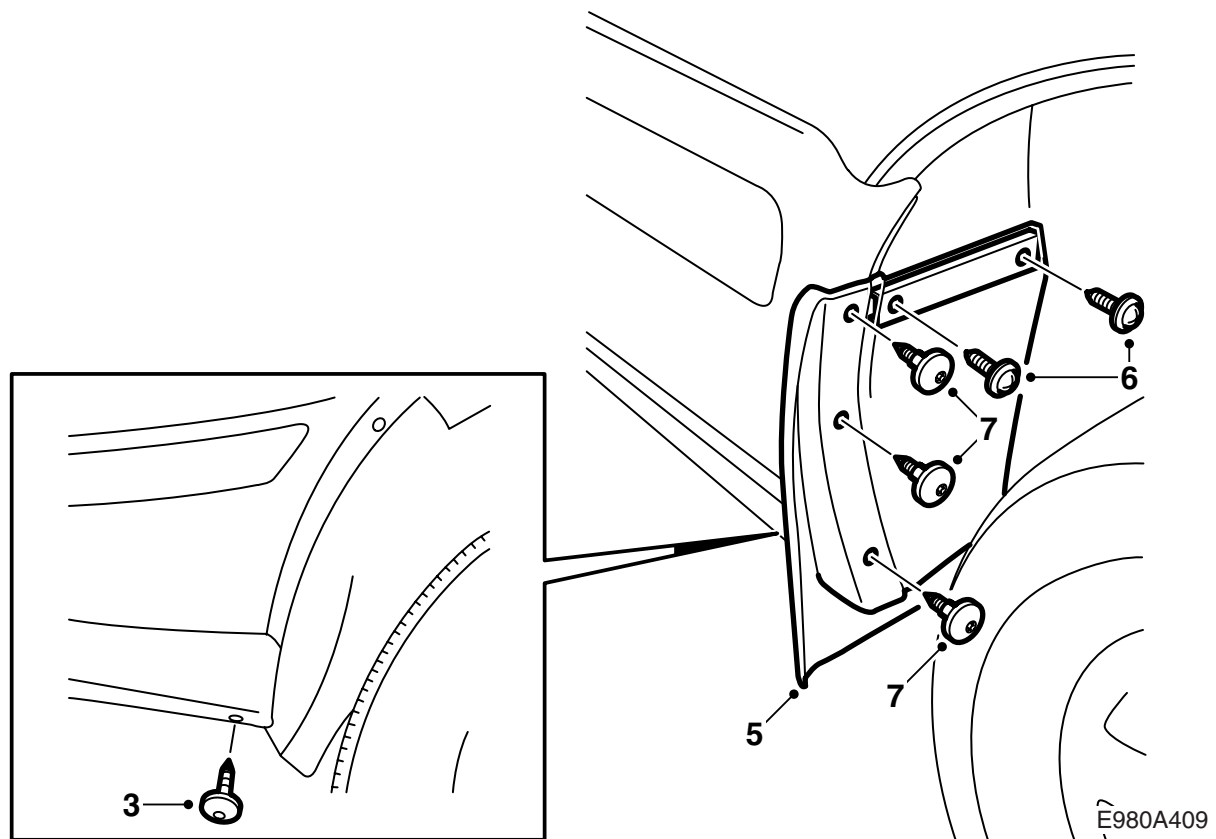
### Mudflaps, rear

Accessories Part No.	Group	Date	Instruction Part No.	Replaces
400 132 171	8:45-15	Jan 02	54 93 796	



E980A408

- 1 Mudflap (LH)
- 2 Mudflap (RH)
- 3 Retaining bar (x2)
- 4 Screw (x6)
- 5 Screw with washer (x4)
- 6 Screw (x2)



- 1 Remove the right-hand rear wheel.
- 2 Clean the valance and the inner wheel arch.
- 3 Remove the screw fitted from below in the bumper skirt and the inner wheel arch.
- 4 Fit one screw (no. 6 on page 1) from the set in the bumper skirt and the inner wheel arch from below.
- 5 Place the mudflap in the inner wheel arch. Press the mudflap diagonally upwards and drill five holes with a 3.5mm bit. Use the mudflap as a template.
- 6 Fit two screws with washers in the inner wheel arch. Push the attaching rail onto the inner wheel arch's rear side and tighten the screws.
- 7 Fit three screws into the valance.
- 8 Refit the rear wheel.
- 9 Repeat steps 1-8 on the car's left-hand side.