

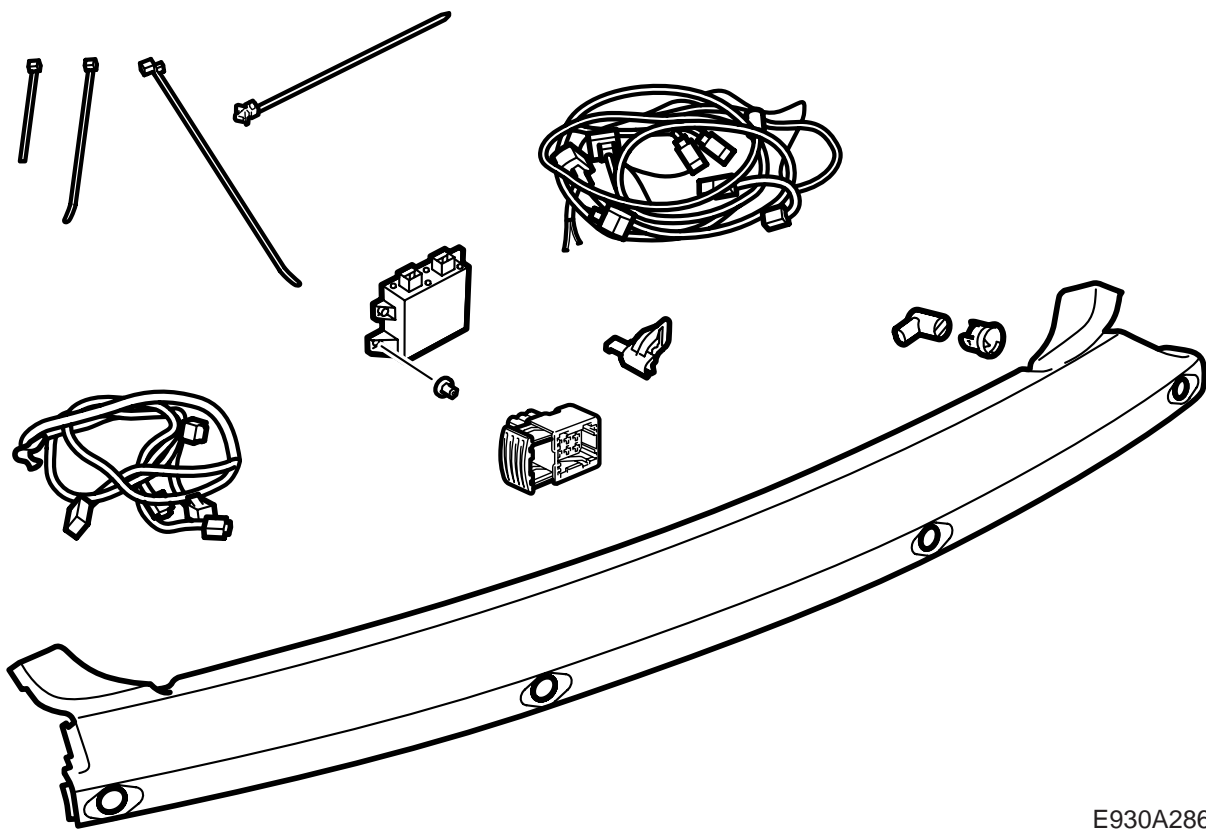


**MONTERINGSANVISNING · INSTALLATION INSTRUCTIONS
MONTAGEANLEITUNG · INSTRUCTIONS DE MONTAGE**

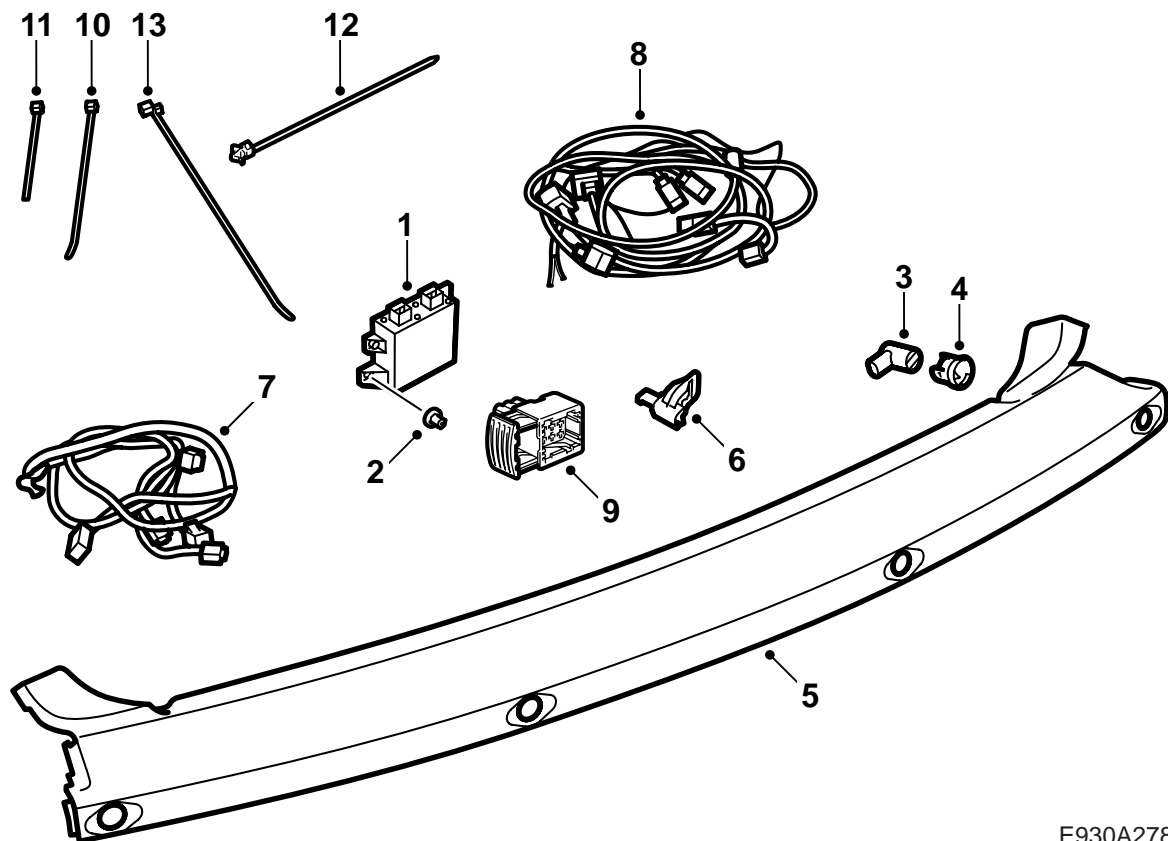
Saab 9-5 5D

Parking assistance (SPA)

Accessories Part No.	Group	Date	Instruction Part No.	Replaces
32 000 574 400 132 197 400 133 120	9:40-01	Nov 05	55 20 705	55 20 705 Apr 03

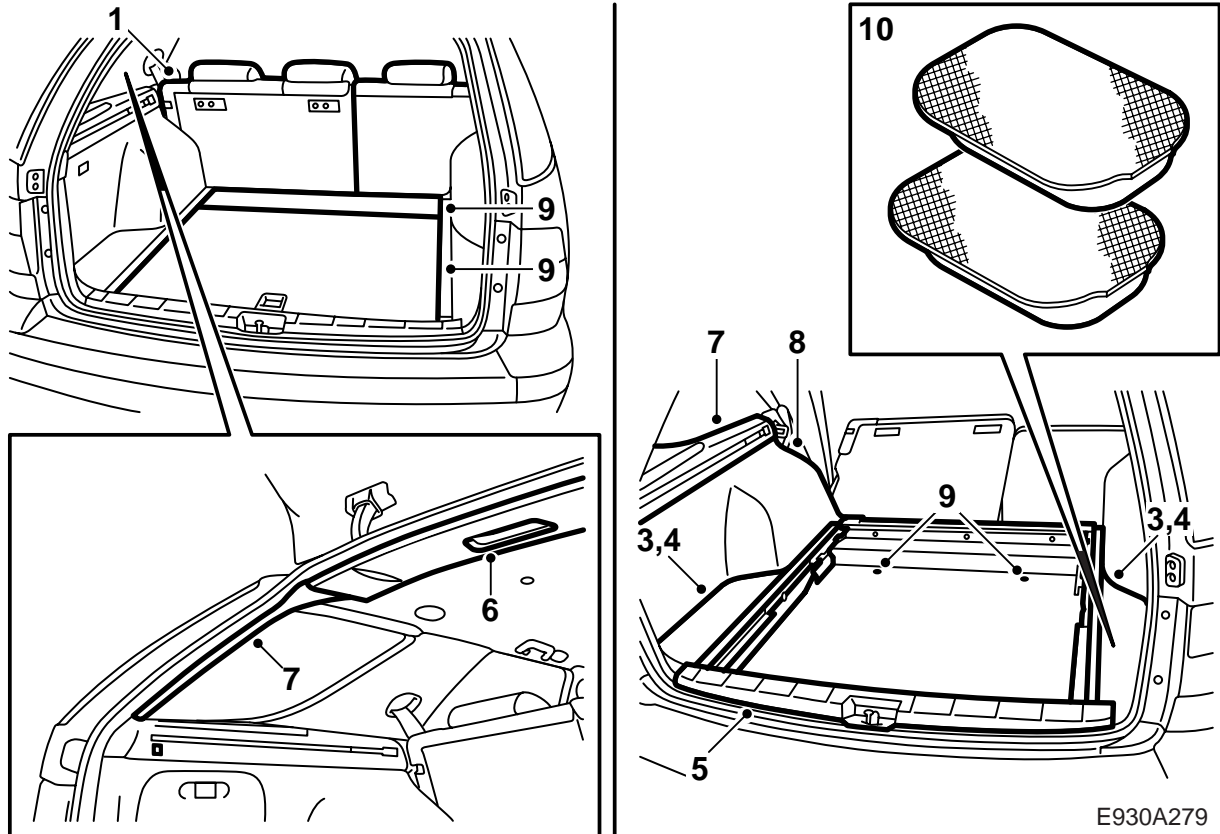


E930A286



E930A278

- 1 Control module, SPA
- 2 Plastic nut (x2)
- 3 Distance sensor (x4)
- 4 Holder (x4)
- 5 Bumper upper section (not included in the kits
32 000 574 and 400 133 120, purchased separately)
- 6 Connector bracket
- 7 Wiring harness, distance sensor
- 8 Wiring harness, SPA
- 9 Connector
- 10 Cable tie (x15)
- 11 Cable tie, rubber grommet
- 12 Cable tie
- 13 Cable tie (x2)



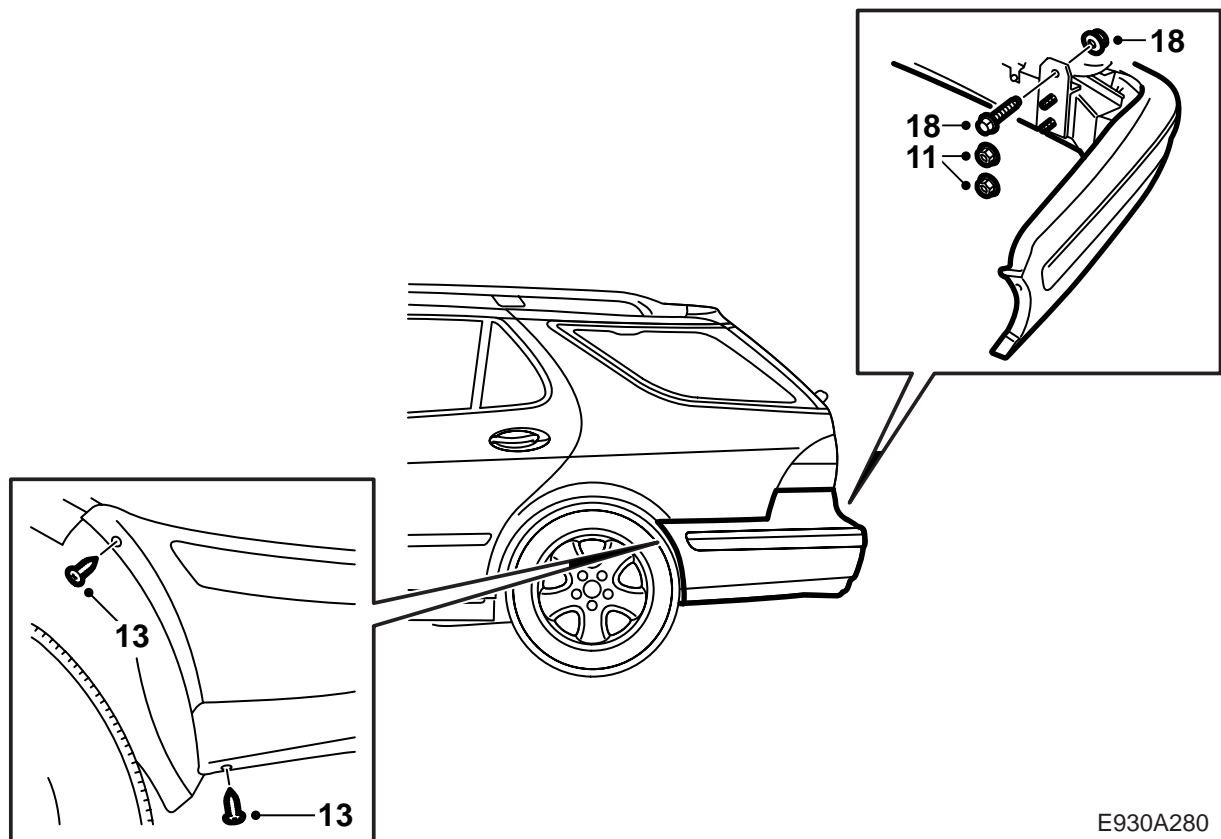
E930A279

- 1 Fold forward the left-hand section of the rear seat seat cushion and the left-hand section of the rear seat back rest. Remove the cover between the left-hand rear door and the back rest.
- 2 Lift out the luggage compartment cover.
- 3 Remove the outer sections of the luggage compartment floor.
- 4 Remove the storage compartment in the floor.
- 5 Remove the scuff plate.
- 6 Loosen the rear ceiling cover and disconnect the lighting.
- 7 Detach the left-hand D pillar trim and remove the left-hand support for the luggage compartment cover (3 screws).
- 8 Remove the screws in the top edge of the left-hand side trim and remove the trim.

Important

If the car is equipped with a CD changer in the side trim storage compartment, it must be disconnected.

- 9 Remove the luggage compartment floor, the underlying carpet and the sound insulation over the spare wheel.
- 10 Remove the foam pads (2 on each side) from the rear edge of the body.



E930A280

- 11 Remove the bumper nuts from the luggage compartment.
- 12 Raise the car.
- 13 Remove the bumper bolts at the wheel housings.
- 14 **Cars with towing bracket:** Loosen the bolts on the upper section of the bumper shell slightly. The bolts are located on the bumper member.
- 15 **Cars with towing bracket:** Detach the contact for the towing bracket wiring harness and remove the four bolts holding the towing bracket to the body.
- 20 **Cars without towing bracket:** Loosen the bolts to the upper section of the bumper shell slightly, and loosen the corners of the bumper decor strip and carefully pull the upper section of the shell back out of its catches.

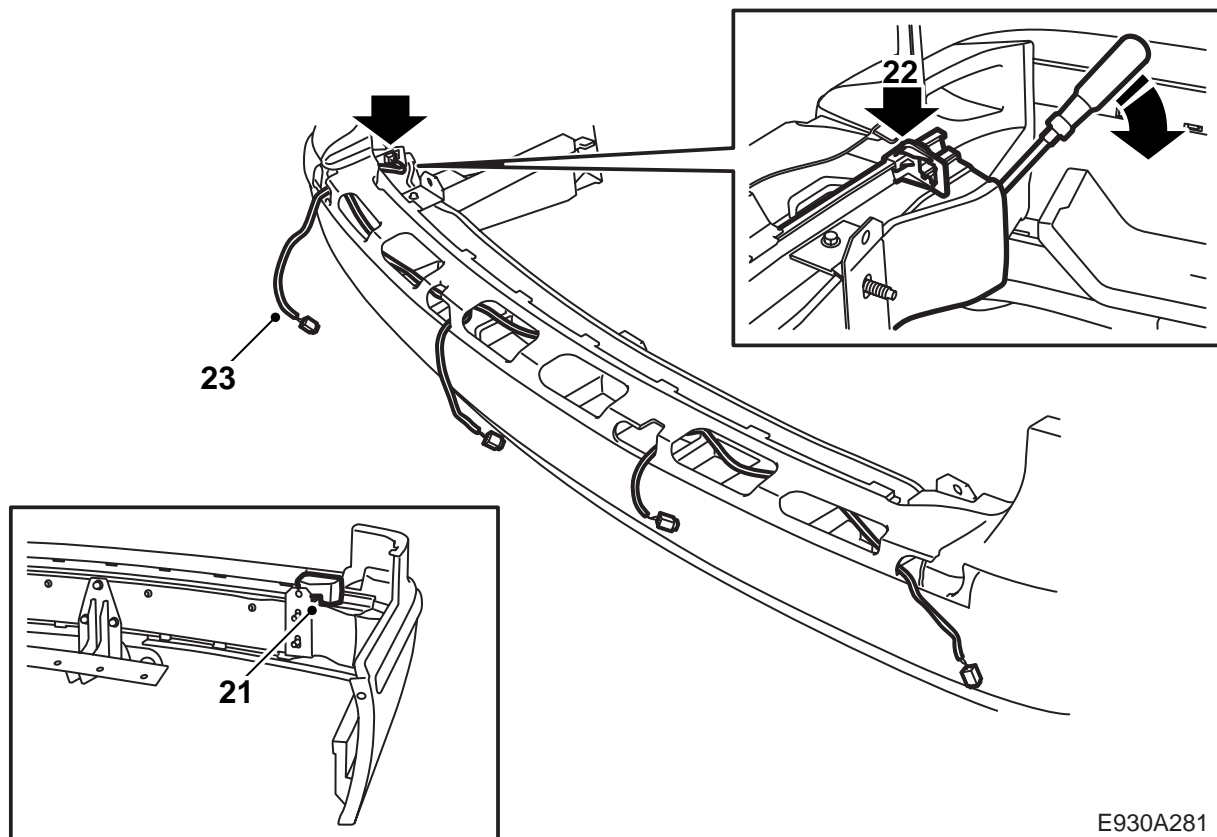
Important

The outer bolts are fitted in loose nut plates.

- 16 Lower the car.
 - 17 **Cars with towing bracket:** Loosen the corners of the bumper decor strip and carefully pull the upper section of the shell back out of its catches.
 - 18 **Cars with towing bracket:** Remove the bolt and nut from both reinforcements.
 - 19 Remove the bumper by pulling its side pieces outwards.
-

Important

Place the bumper on a clean, soft surface.



E930A281

21 Remove the bumper shell left-hand support.

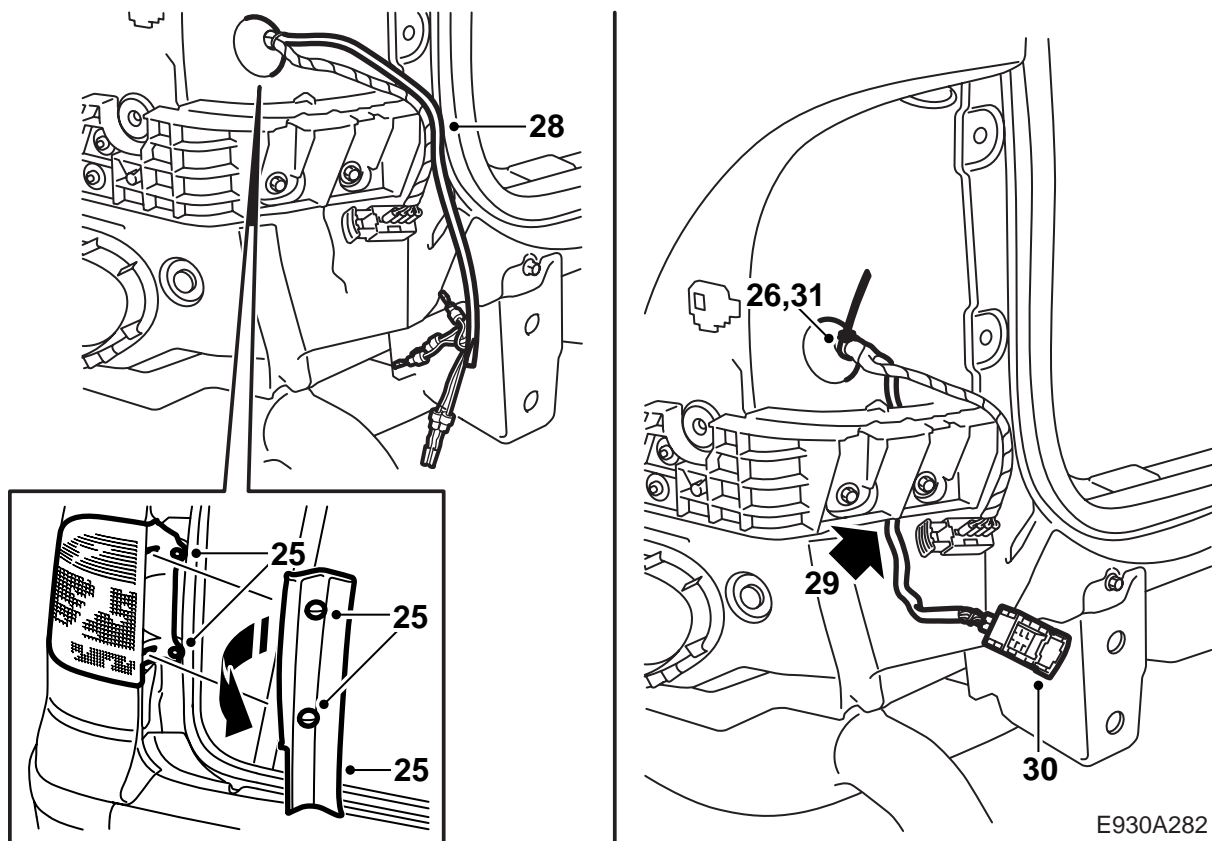
22 Fit the connector holder on the bumper rail.

Important

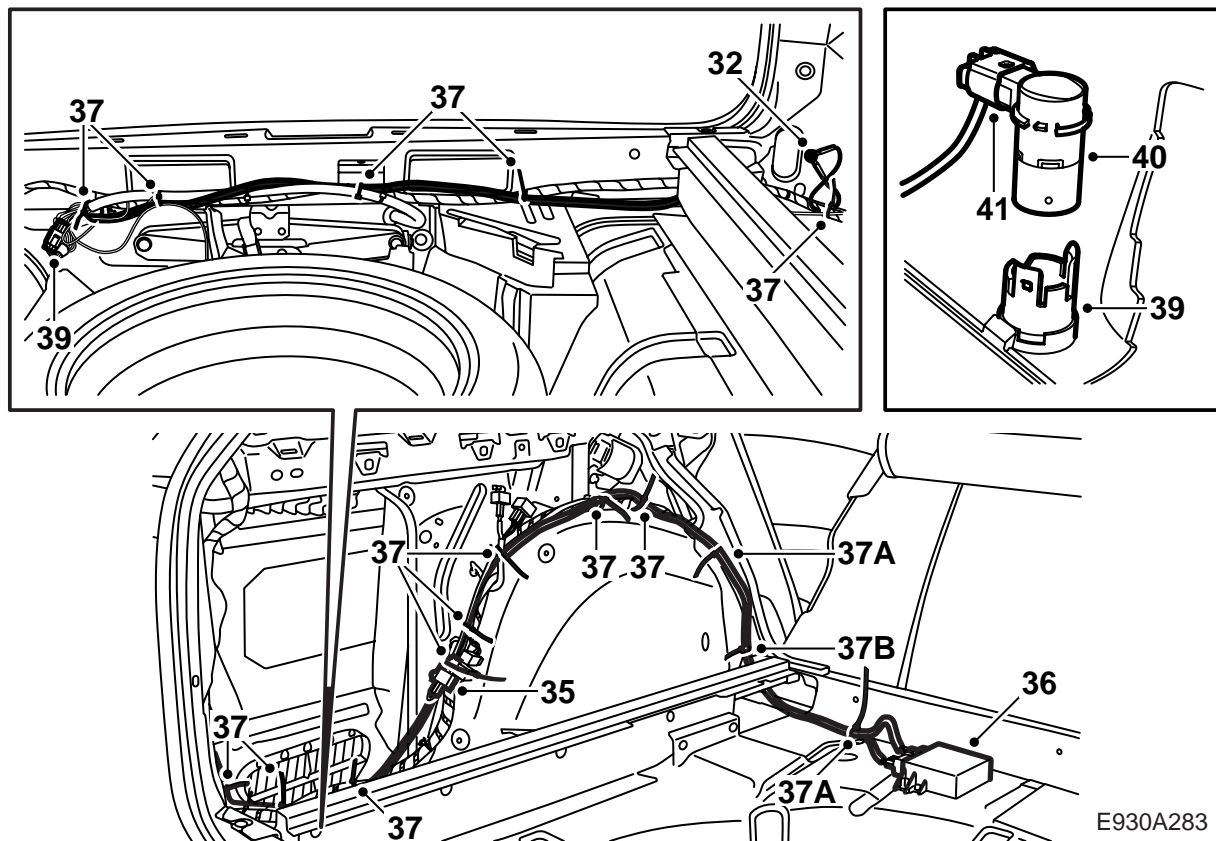
If the holder is difficult to mount, it may be easier to carefully prise apart the foam and the rail slightly.

23 Run the distance sensors' wiring harness along the bumper rail and fit the connector in the holder.

24 Fit the bumper shell support and check that the wiring harness runs freely and is not pinched.



- 25 Remove the left-hand tail lamp.
- 26 Remove the cable tie and tape from the rubber grommet below the left-hand tail lamp.
- 27 Tape the cable terminals together to make them easier to pass through.
- 28 Pull the wiring harness out through the rubber grommet until the grommet is 370 mm from the end of the cable terminal taping.
- 29 Run the wiring harness down between the body and the bumper retainer rail.
- 30 Remove the tape from around the cable terminals and insert the cable terminals as follows:
 - 1 Black (BK)
 - 2 Brown (BN)
 - 3 Yellow (YE)
 - 4 Blue (BU)
 - 5 Orange (OG)
 - 6 Grey (GY)
- 31 Apply tape and a new cable tie (small) on the rubber grommet.



32 Attach the ground cable to the grounding point in the luggage compartment below the left-hand tail lamp.

33 Run the thicker section of the wiring harness against the left-hand wheel housing and the thinner section along the luggage compartment sill to the right-hand side of the car.

34 Connect the connector to the provision for the towing bracket wiring harness.

Cars with towing bracket: Unplug the connectors and attach both connectors of the wiring harness to them.

35 Plug in the wiring harness connector to the provision for the CD changer and fit the blind plug to the SPA harness connector. Affix anti-rattle tape and secure with a cable tie to avoid rattle. At the seat belt, the wiring harness must be drawn to the right and follow the wheel housing.

Cars with CD changer: Unplug the connectors and connect each wiring harness connector to them. Affix anti-rattle tape and secure with a cable tie to avoid rattle.

36 Connect the wiring harness to the control module and mount the control module on the floor. Tighten the plastic nuts.

37 Use cable ties (x18) to secure the wiring harness along its entire route. Gather excess wiring harness and secure it above the wheel housing.

A Cable tie for mounting weld screw.

B Cable tie with clip for mounting in holes

38 Fit the left-hand tail lamp.

39 Fit the distance sensor holders to the bumper's new top section.

40 Fit the distance sensors in the holders.

Important

The position of the holders may need to be adjusted to facilitate the fitting of the sensors.

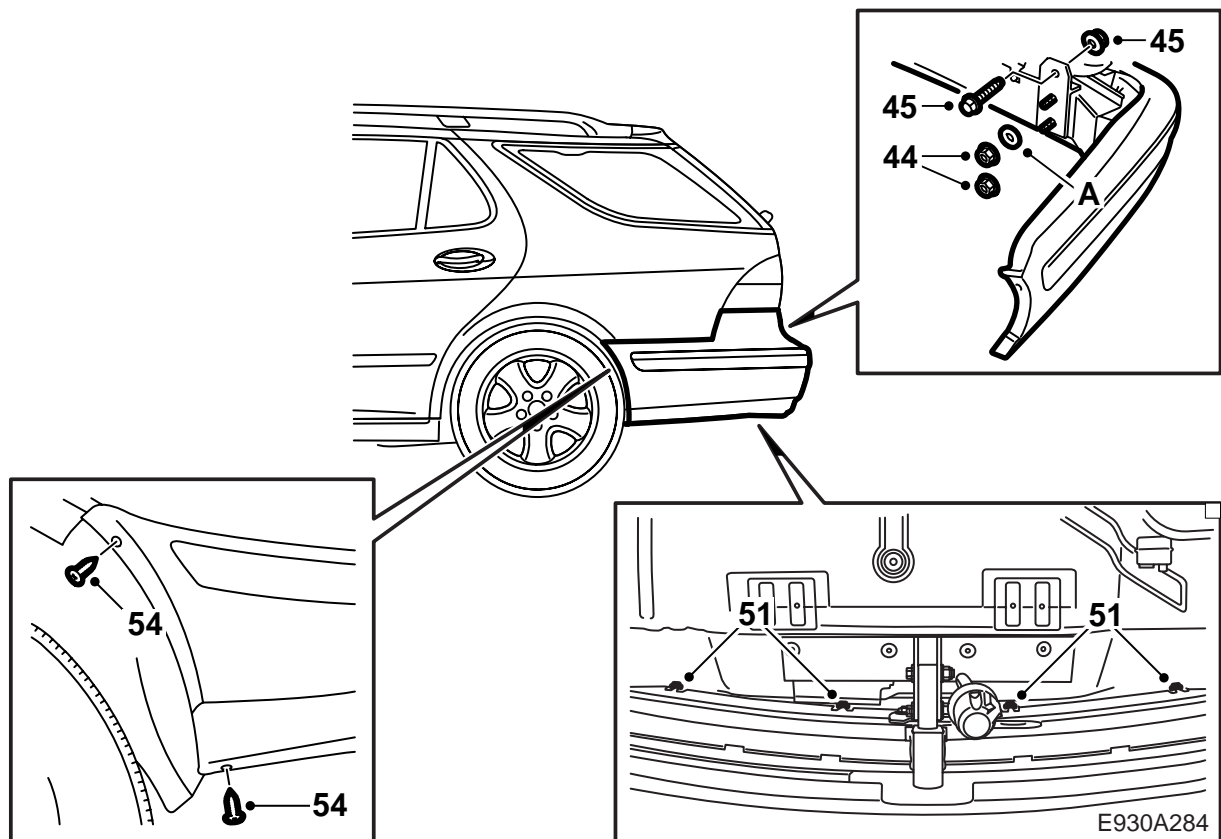
41 **Cars without towing bracket:** Connect the wiring harness to the distance sensors, fit the excess wiring harness in the bumper shell, insert the upper part of the bumper shell in the recess in the bumper shell and fit the tabs against the four bolts on the bumper member. Use a large screwdriver to place the tabs behind the bolt washers.

WARNING

Check that the wiring harness is not pinched. Incorrect fitting can damage the wiring harness and cause a short circuit/fire.

Tighten the screws.

42 **Cars without towing bracket:** Fit the corners of the bumper decor strip.



43 Fit in the bumper and plug in the connector.

44 Fit the bumper to the car with the nuts and with washers (A) under the top nuts.

Tightening torque 40 Nm (30 lbf ft).

45 **Cars with towing bracket:** Screw the reinforcements to the car.

Tightening torque 40 Nm (30 lbf ft).

46 **Cars with towing bracket:** Pull loose the bottom section of the sealing strip around the tailgate opening.

47 **Cars with towing bracket:** Connect the wiring harness to the distance sensors, fit the excess wiring harness in the bumper shell, insert the upper section of the bumper shell in the recess in the bumper shell and fit the tabs against the four bolts on the bumper member. Use a large screwdriver to position the tabs behind the bolt washers.

⚠ WARNING

Check that the wiring harness is not pinched. Incorrect fitting can damage the wiring harness and cause a short circuit/fire.

48 **Cars with towing bracket:** Fit the corners of the bumper decor strip.

49 **Cars with towing bracket:** Fit the sealing strip around the tailgate opening.

50 Raise the car.

51 **Cars with towing bracket:** Tighten the bolts for the bumper upper section on the bumper member.

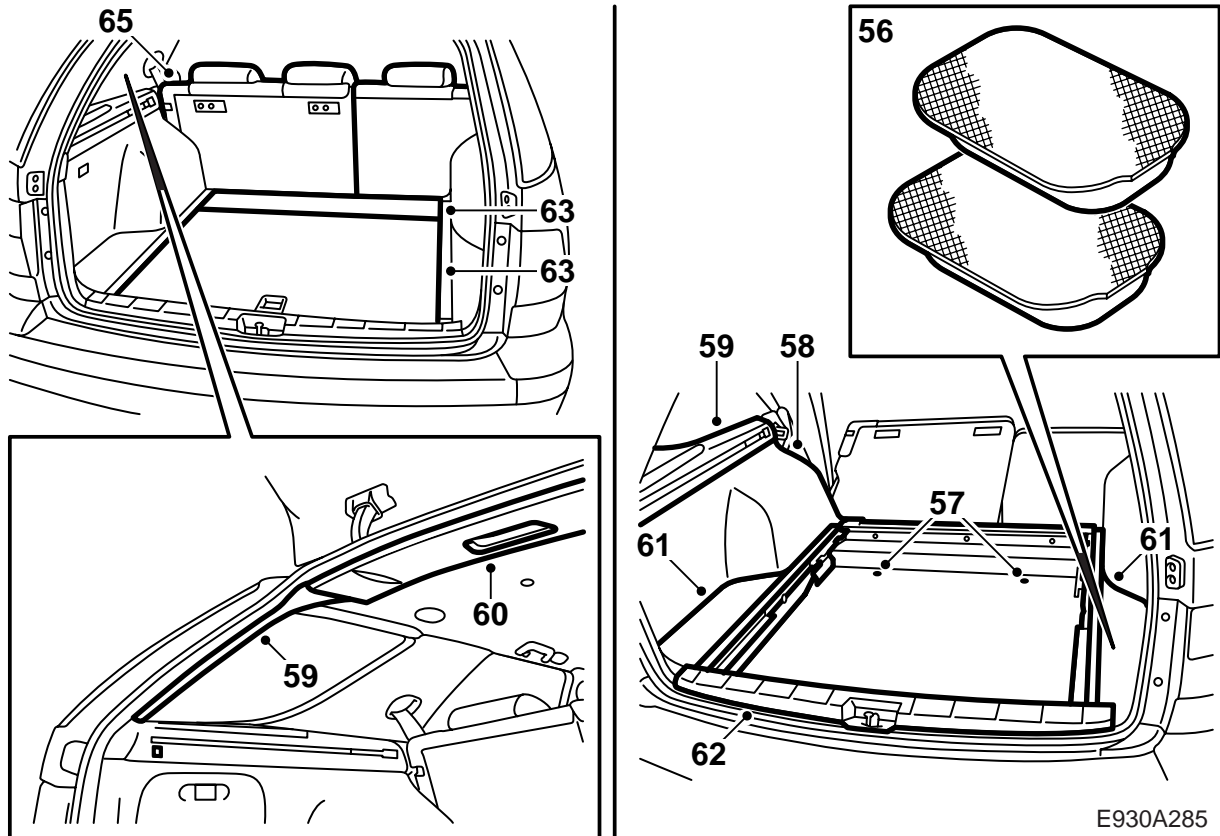
52 **Cars with towing bracket:** Fit the contact for the towing bracket wiring harness.

53 **Cars with towing bracket:** Fit the bolts and nut plates holding the towing bracket to the body.

Tightening torque 40 Nm (30 lbf ft).

54 Fit the bumper bolts at the wheel housings.

55 Lower the car.



- 56 Fit the foam pads (2 on each side) in the rear edge of the body.
- 57 Fit the sound insulation over the spare wheel and carpet.
- 58 Fit in the side trim and connect the CD changer if fitted. Tighten the screws in the top edge of the side trim.
- 59 Refit the support for the luggage compartment cover (3 screws) and the D pillar trim.
- 60 Connect the ceiling lighting and press the ceiling cover into place.
- 61 Fit the storage compartment in the floor and the outer sections of the luggage compartment floor.
- 62 Fit the scuff plate.
- 63 Fit the luggage compartment floor.
- 64 Lift the luggage compartment cover into place.
- 65 Fit the cover between the left-hand rear door and the back rest and set back the rear seat back rests and seat cushions.

- 66 Check that the system warns against objects in the rear in the form of a varying number of tones from SID. The first tone is given when an object is at a distance of 1.8 metres. The signal then has a frequency of 2 tones per second, but the number of tones per second increases the closer the object becomes to the vehicle and changes as follows:
 - 1.8 - 1.3 m: 2 tones/second
 - 1.3 - 0.9 m: 3 tones/second
 - 0.9 - 0.3 m: from 5 to 12 tones/second in close stages
 - 0.3 m: continuous tone