

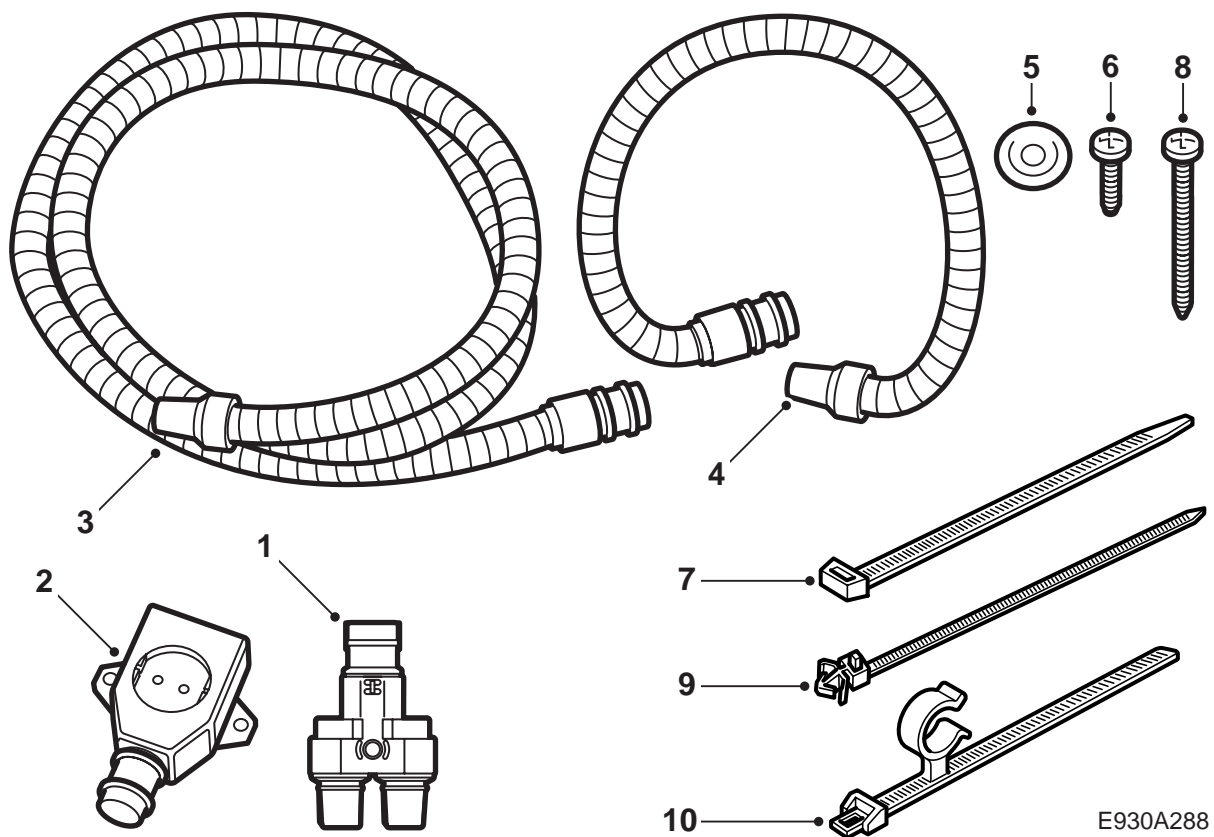


MONTERINGSANVISNING · INSTALLATION INSTRUCTIONS
MONTAGEANLEITUNG · INSTRUCTIONS DE MONTAGE

Saab 9-5 D223L

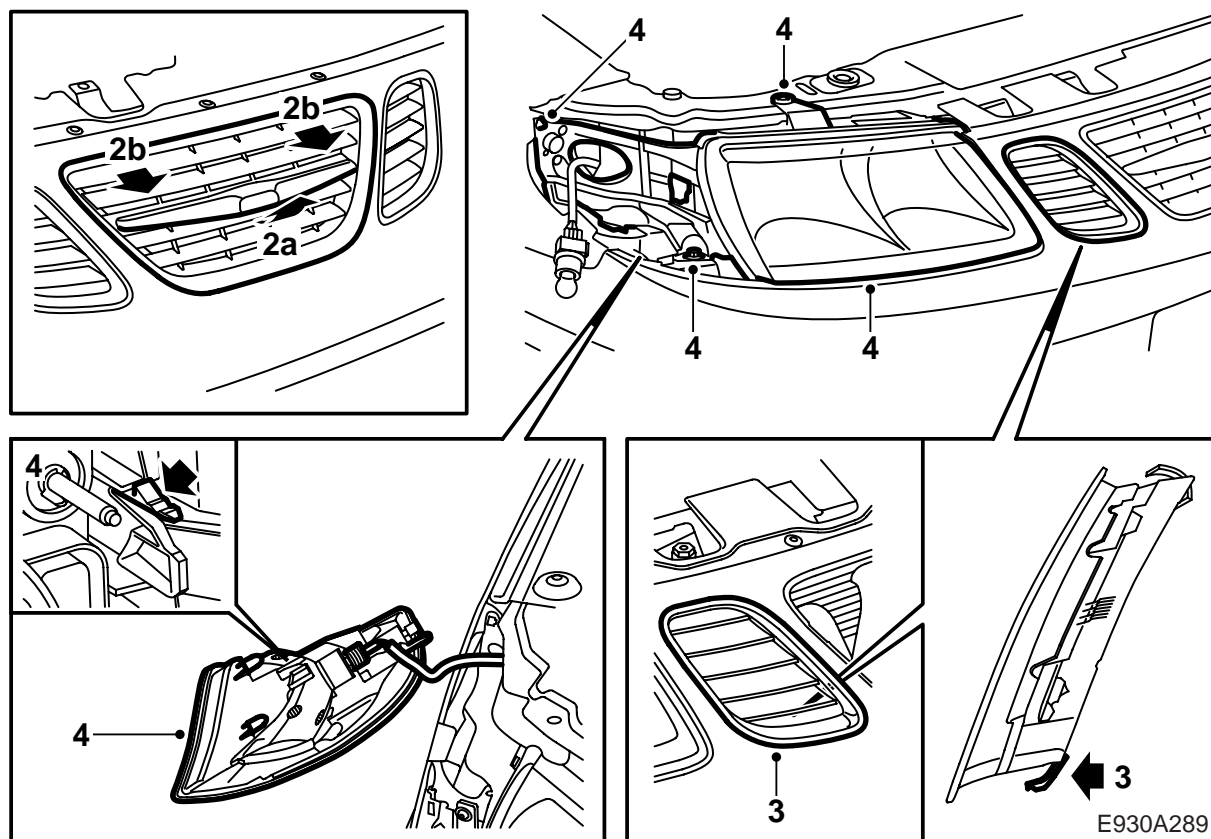
Branch cable set LHD

Accessories Part No.	Group	Date	Instruction Part No.	Replaces
32 026 602 400 132 270	9:87-41	Nov 07	55 21 125	55 21 125 Mar 02



E930A288

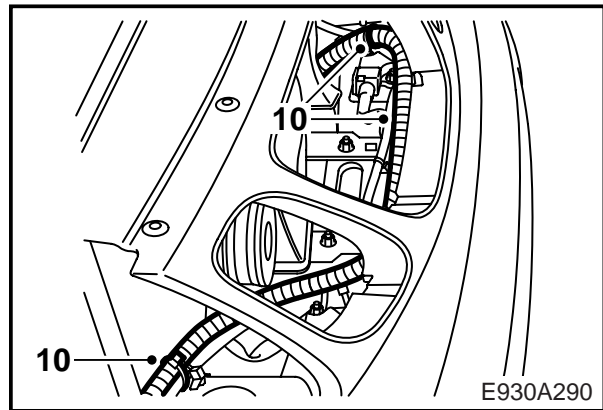
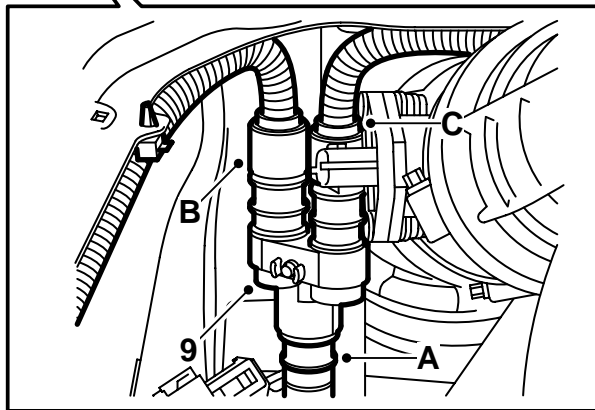
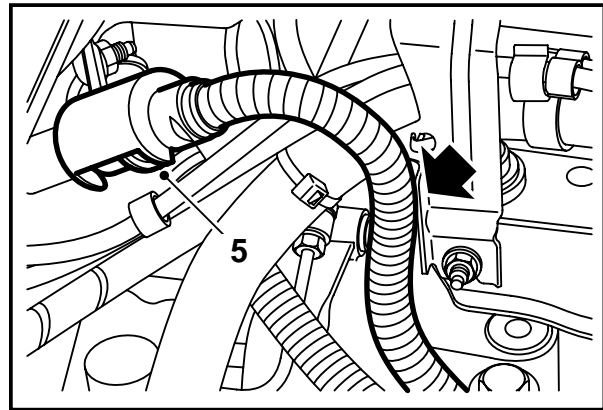
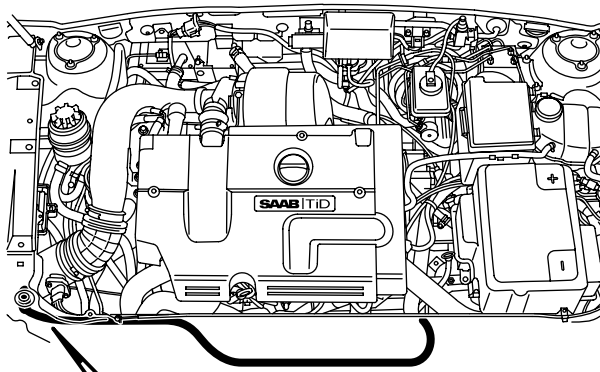
- 1 Branch connector
- 2 230 V socket
- 3 Extension cable
- 4 Extension cable
- 5 Grommet
- 6 Screw (2)
- 7 Cable tie (10)
- 8 Bolt
- 9 Cable tie with clip (x2)
- 10 Cable tie with clamp



⚠ WARNING

It is important to lubricate the extension cable O-rings before connecting them and that all connections are pressed together firmly. A loose contact could cause heat release and fire.

- 1 If the car is equipped with a radio other than the Saab original, please check that the customer has the radio code before commencing work.
Remove the battery and battery shelf.
- 2 Remove the centre section of the grille by
 - a lifting it slightly to release its lower edge
 - b pulling it forward and down so that the spring clips release
- 3 Detach the side sections from the back by bending up the lower clips so that they release.
- 4 Remove the right-hand direction indicator and headlamp.



E930A290

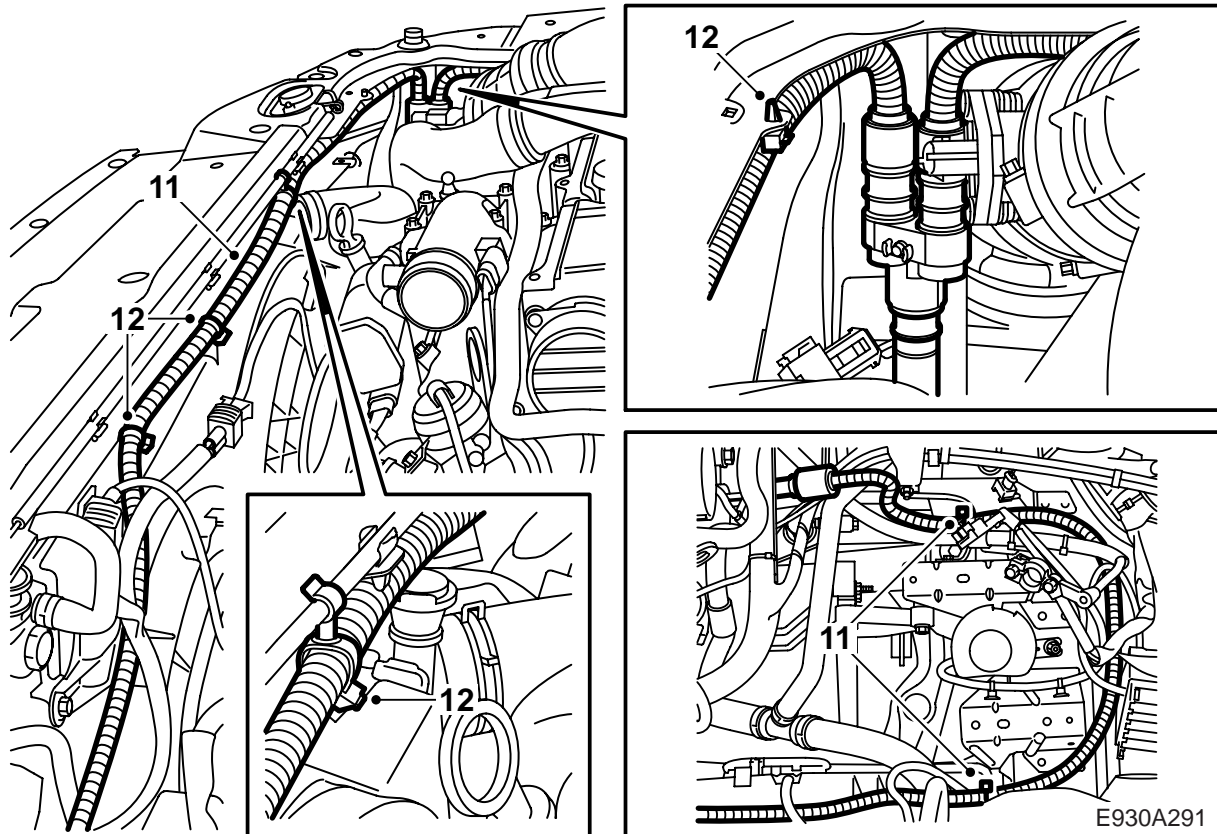
- 5 If the car is fitted with an engine heater:
Detach the intake cable from the engine heater, pull it back and run it in front of the radiator.
- 6 Run the intake cable along the wiring harness above the bumper rail to the right-hand side of the car.
- 7 Connect the intake connector to the branch connector (A), the 2.0 m extension cable to the branch connector (B) and the 1.5 m extension cable to the branch connector (C). Mark the position of the holes using the connectors as a template (11 cm from the edge).

Important

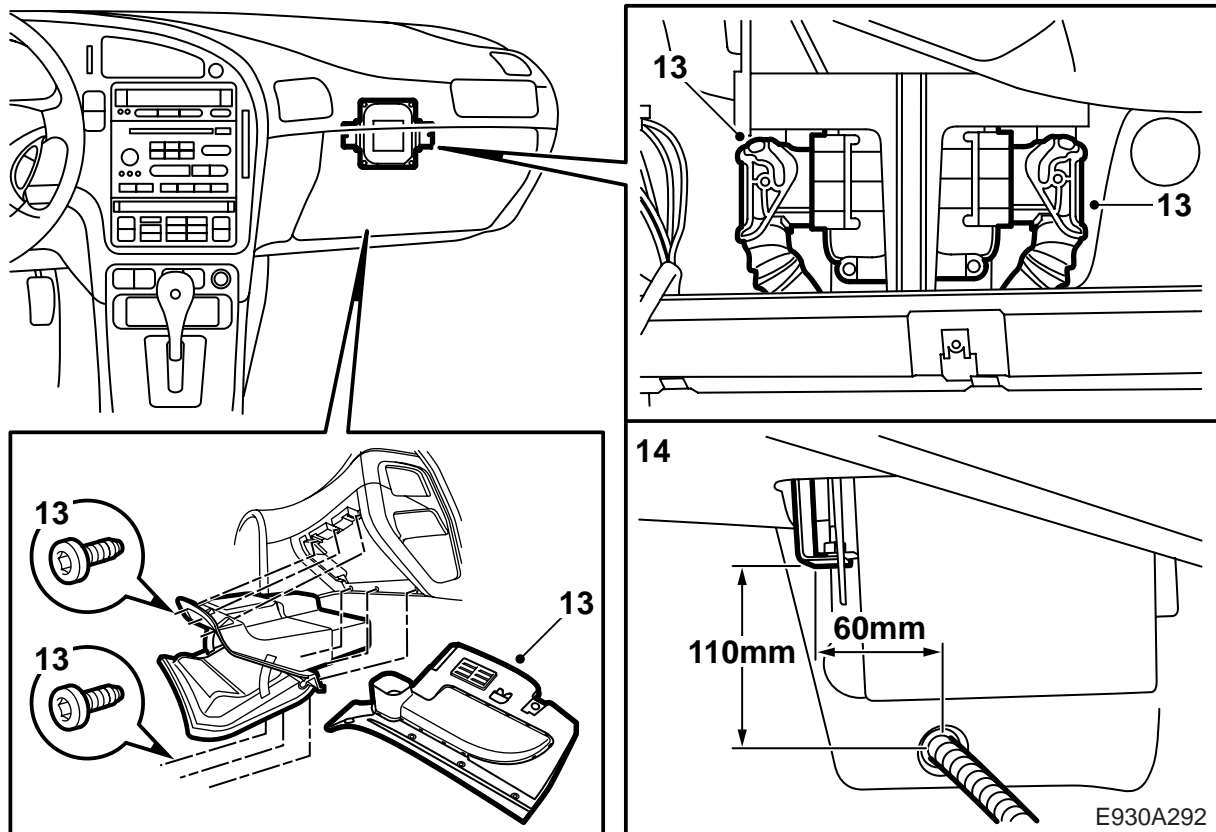
The branch connectors must be angled back as far as possible.

Drill a 3.5 mm hole.

- 8 Deburr the hole and remove loose swarf and flakes of paint. Clean with Teroson FL cleaner. Apply Standox 1K Füllprimer. Apply finish paint. Use Terotex HV400 or Mercasol 1 on inside surfaces.
- 9 Screw the branch connectors into place.
- 10 Secure the intake cable along the wiring harness above the bumper rail.



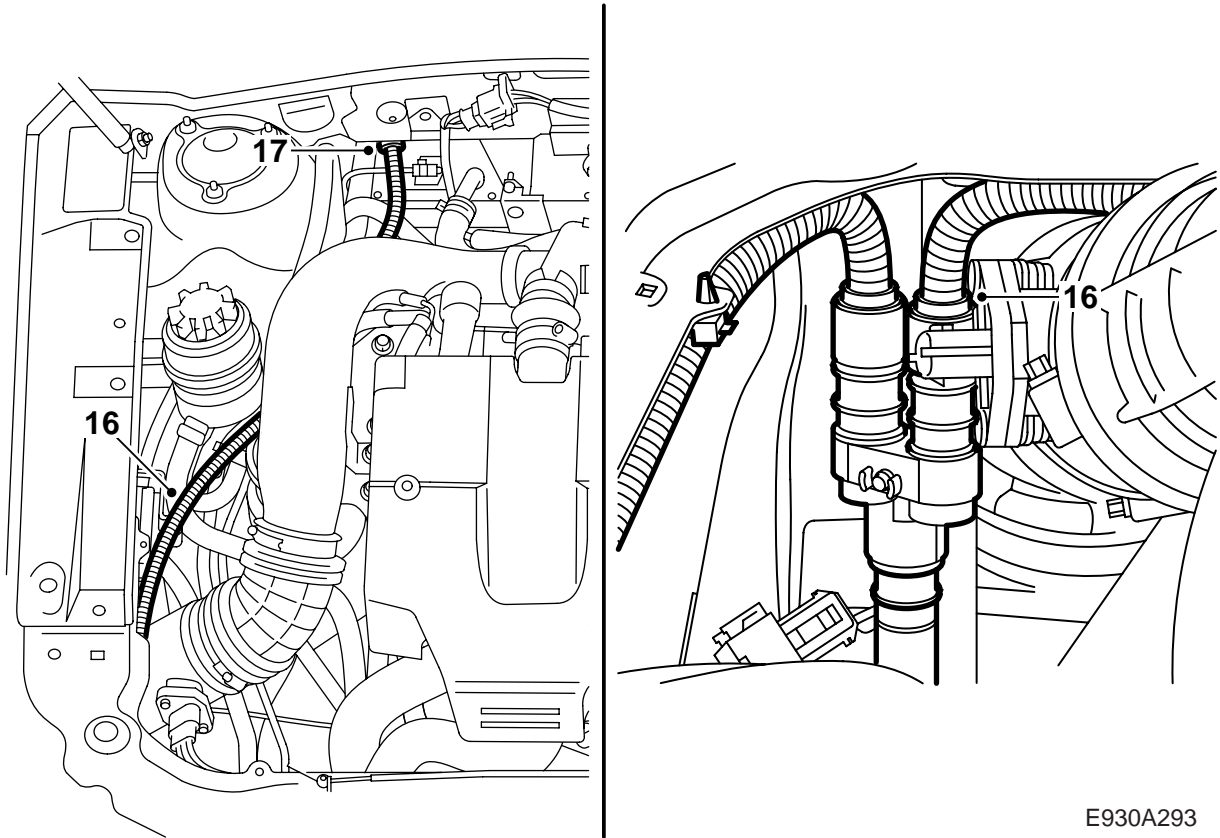
- 11 Run the 2.0 m extension cable from the branch connector (B) via the attachment points on the top of the fan cowling, around the battery area up to the engine heater. Connect the cable to the engine heater and fit the lock brace.
- 12 Secure the extension cable using a cable tie with clip to the hole in the upper radiator member, using a cable tie with clamp to the bonnet lock wire (50 mm from the right-hand mounting of the bonnet lock wire) and using ordinary cable ties to the attachment points on the top of the fan cowling and to the wiring harness behind the battery.



- 13 Remove the glovebox and bend aside the top edge of the mat. If the glovebox is cooled, detach the cooling hose.

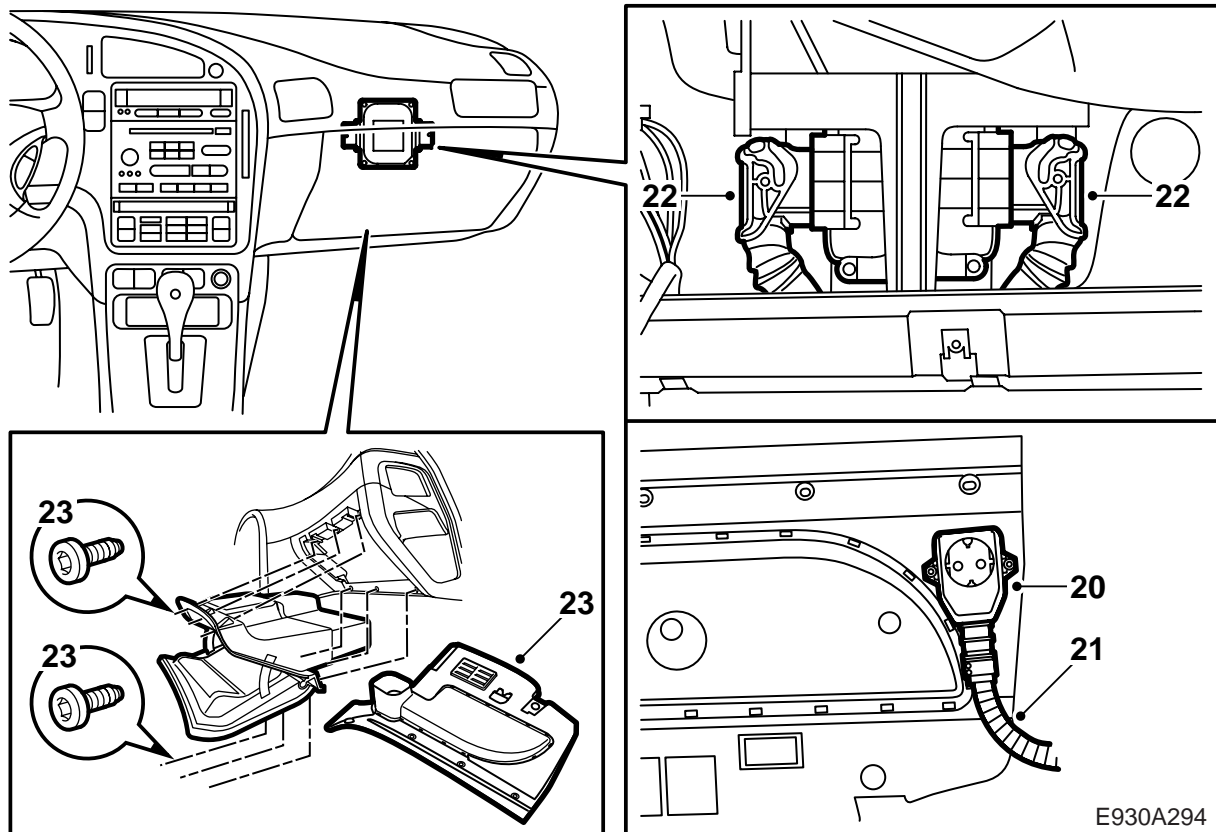
Cars with automatic gearboxes: Remove the connector from the control module and bend aside the wiring harness.

- 14 Measure and drill a 22 mm hole with a hole saw; see illustration. Cut away some of the insulation on the outside of the bulkhead.
- 15 Deburr the hole and remove loose swarf and flakes of paint. Clean with Teroson FL cleaner. Apply Standox 1K Füllprimer. Apply finish paint. Use Terotex HV400 or Mercasol 1 on inside surfaces.

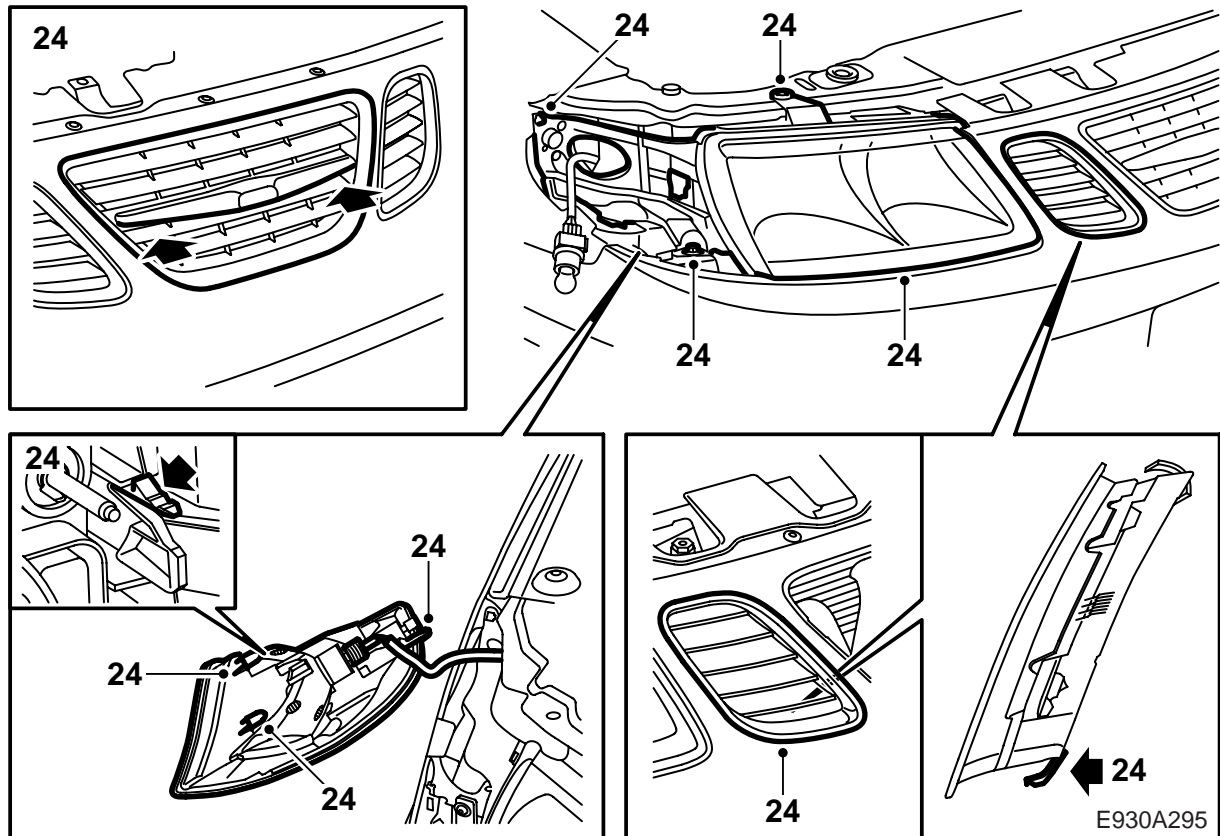


E930A293

- 16 Run the 1.5 extension cable along the power steering hoses to the bulkhead.
- 17 Fit the kit's grommet on the extension cable.



- 18 Insert the extension cable through the grommet to the spot where the cabin socket is to be fitted. Secure the cable with cable ties.
- 19 Fit the kit's grommet in the bulkhead from the outside and seal with Teroson T 242 (part no. 30 15 781) or a sealant of similar quality.
- 20 Place the 230 V socket on the knee guard panel near the A-pillar; see illustration. Use an awl to mark the position of the holes.
- 21 Attach the extension cable to the 230 V socket and screw the socket into place.
- 22 **Cars with automatic gearboxes:** Connect the control module.
- 23 If the glovebox is cooled, connect the cooling hose. Fit the glovebox.



- 24 Fit the right-hand headlamp and direction indicator. Fit the different sections of the grille.
- 25 Check that no cables in the engine bay lie against hot or sharp components. Use cable ties to secure the cables against non-moving parts.
- 26 Connect the equipment to a 230 V mains supply and check the 230 V socket with a voltmeter.
- 27 Fit the battery shelf and battery. Connect the battery. Set the time and date. If the car does not have a Saab original radio, programme in the radio code.