

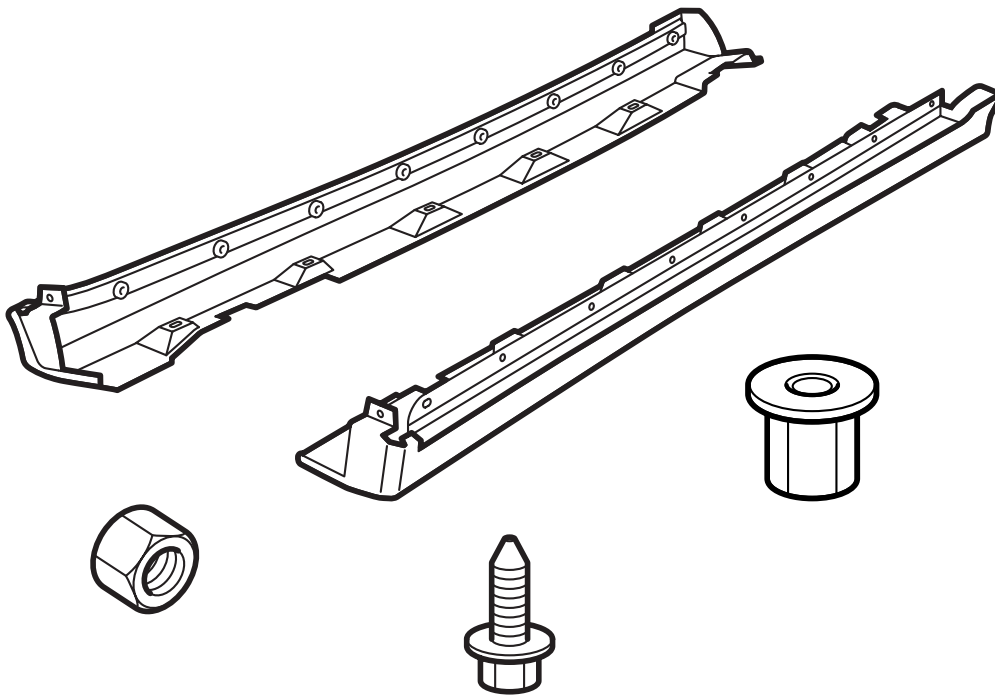


**MONTERINGSANVISNING · INSTALLATION INSTRUCTIONS
MONTAGEANLEITUNG · INSTRUCTIONS DE MONTAGE**

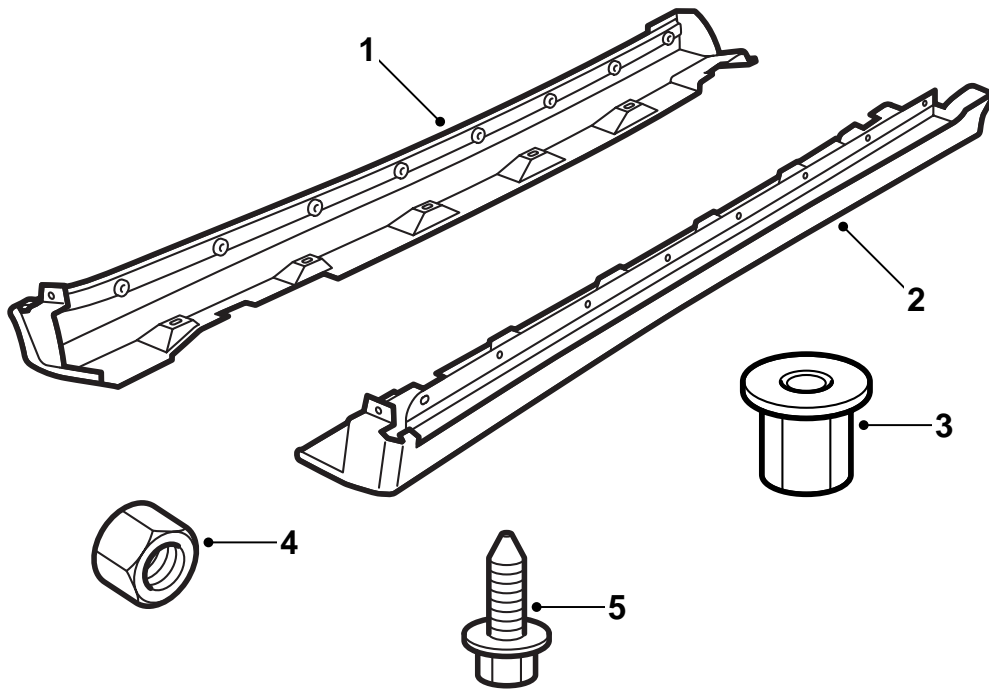
Saab 9-5

Sill covers

Accessories Part No.	Group	Date	Instruction Part No.	Replaces
400 132 601 400 133 278	9:84-21	Aug 03	54 96 153	54 96 153 May 03

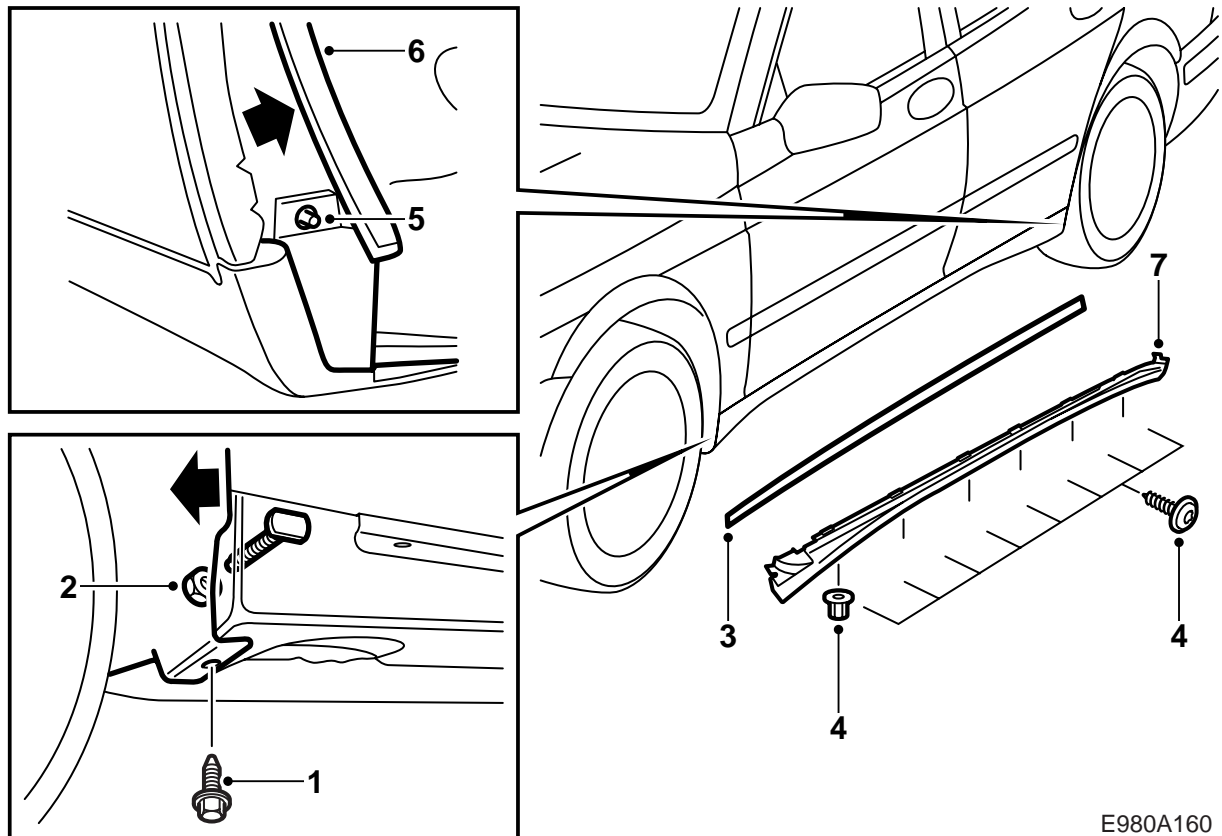


E980A192



- 1 Left-hand sill cover
- 2 Right-hand sill cover
- 3 Plastic nut (x12)
- 4 Nut (x2)
- 5 Bolt (x2)

E980A159



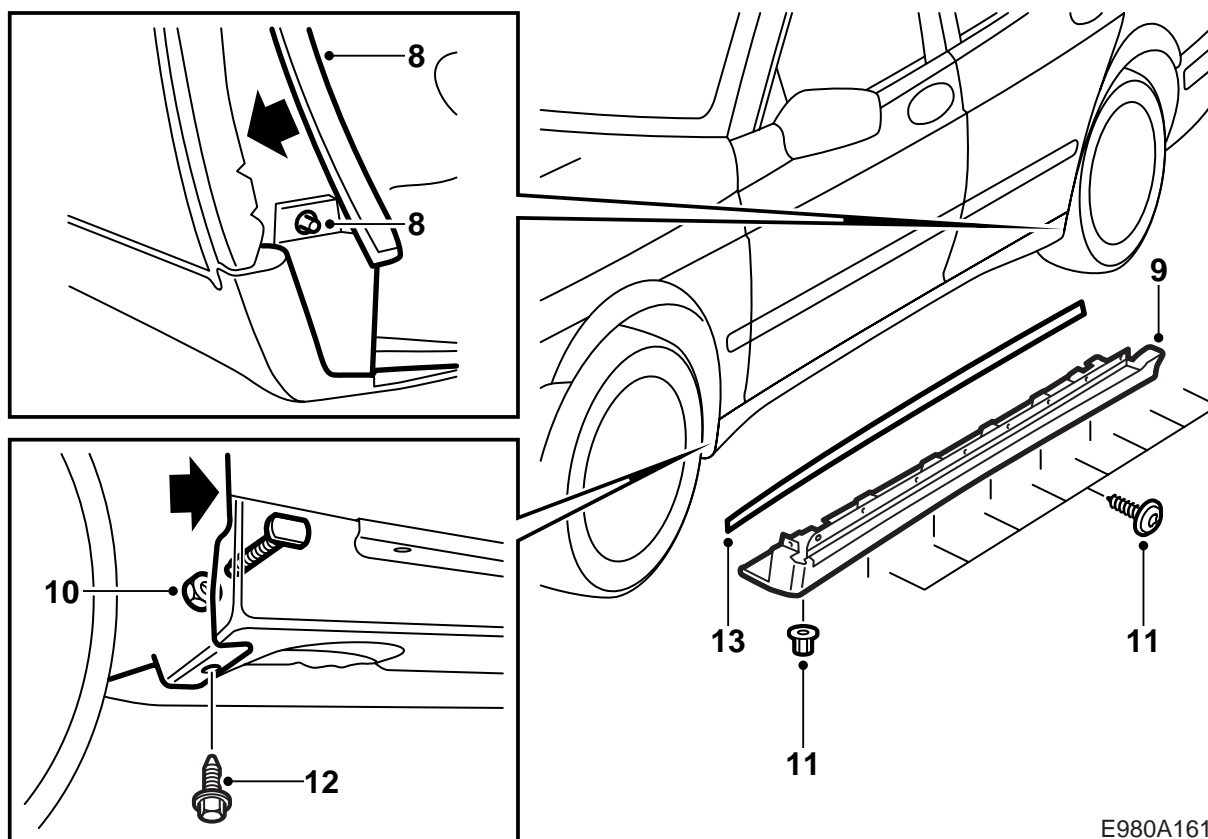
E980A160

The sill covers have been treated with grey primer and are ready for painting.

Paint the sill covers the same colour as the body; see "Directions for painting preprimed PP/EPDM plastic" in these installation instructions.

First fit the sill cover on one side of the car, then on the other.

- 1 Remove the screw holding the front wheel arch liner to the sill cover.
- 2 Carefully bend away the rear, lower section of the front wheel arch liner and remove the nut that holds the scuff plate to the front fender (wing).
- 3 Remove the rubber moulding.
- 4 Remove the screws and plastic nuts holding the sill cover to the body.
- 5 Remove the lower front plastic nut of the rear wheel arch liner.
- 6 Carefully bend out the front edge of the wheel arch liner and the sill cover so that the sill cover releases from the bolt.
- 7 Lift away the sill cover.



E980A161

- 8 Carefully bend out the front edge of the rear wheel arch liner and hang the sill cover on the bolt.
- 9 Fit and adjust the front edge of the sill cover to the edge of the front fender (wing) wheel housing.
- 10 Carefully bend aside the front wheel arch liner and tighten the new nut holding the sill cover to the wheel arch liner.
- 11 Screw in the sill cover using the screws and the new plastic nuts.

Important

Start from behind and raise the sill cover as the screws are tightened.

- 12 Fit the new bolt that is to hold the front wheel arch liner to the sill cover.
- 13 Fit the rubber moulding starting at the rear of the sill cover.

**Directions for painting preprimed PP/
EPDM plastic**

- Place the sill covers in such a way as they will not be distorted while painting.
- The temperature must not exceed +40 °C (104 °F).
- The sill covers are primed on delivery.
- Use clean gloves when handling the sill covers.

Drying time

70 minutes at 40 °C (104 °F).

Preparations

- Rub down the primed surfaces thoroughly. Use 3M 1200 or 800 abrasive paper.