

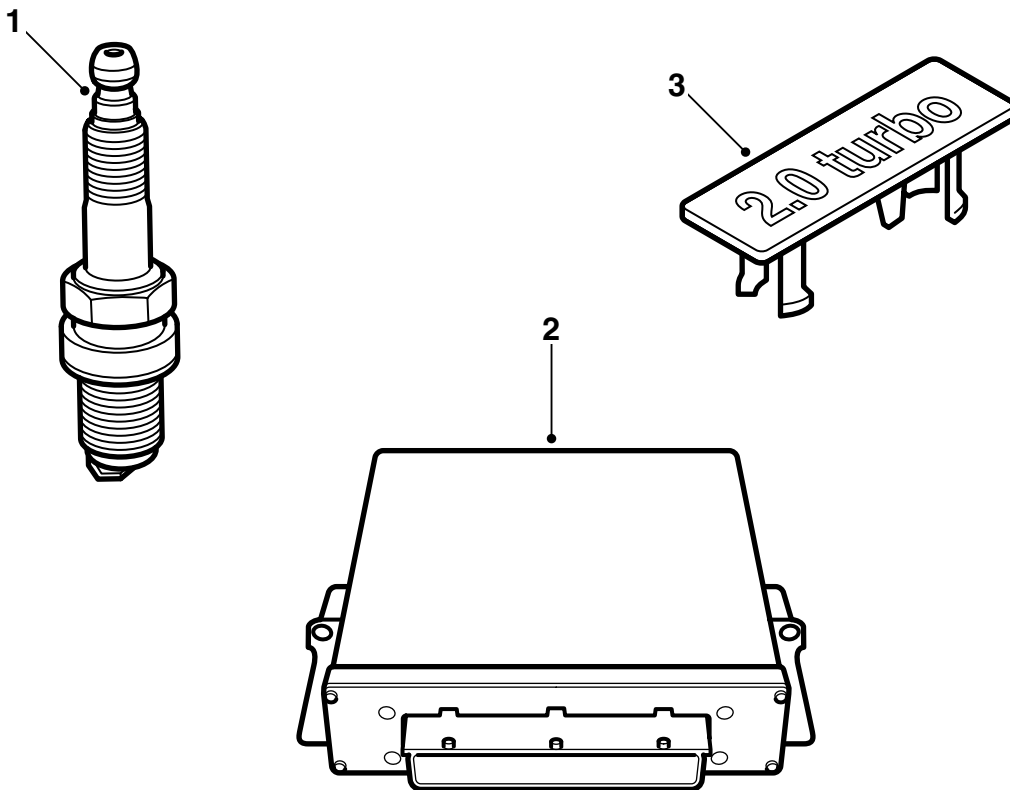


MONTERINGSANVISNING · INSTALLATION INSTRUCTIONS
MONTAGEANLEITUNG · INSTRUCTIONS DE MONTAGE

Saab 9-5 B205E M02-03

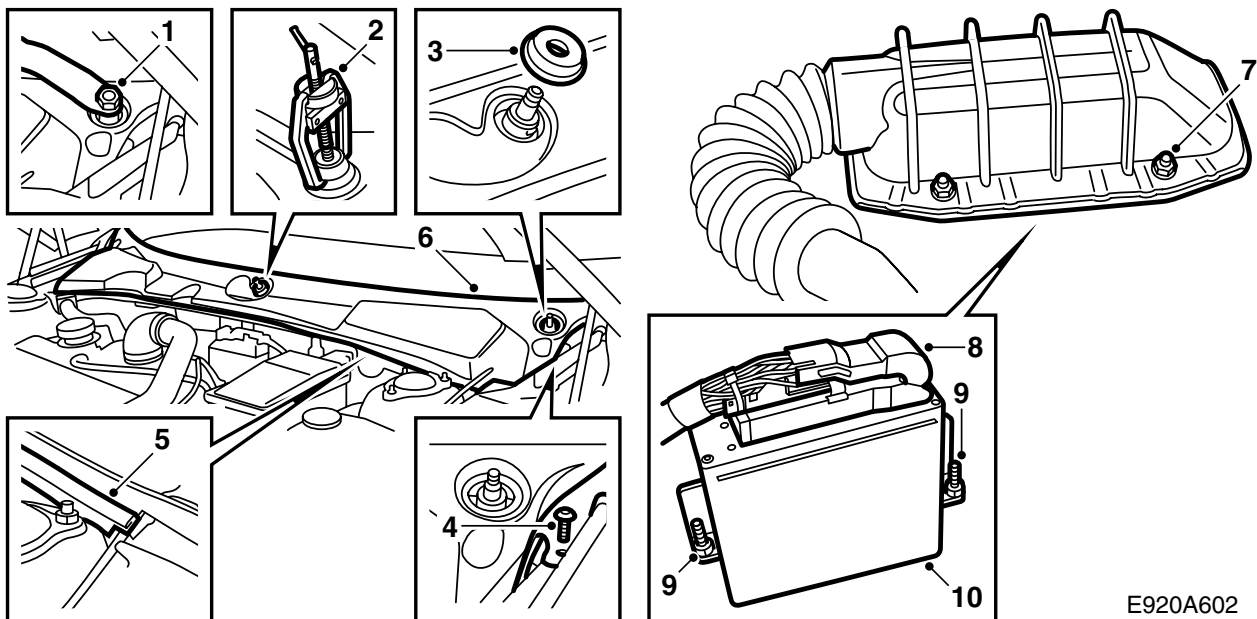
Tuning kit

Accessories Part No.	Group	Date	Instruction Part No.	Replaces
400 132 619	9:29-08	Aug 02	53 84 490	



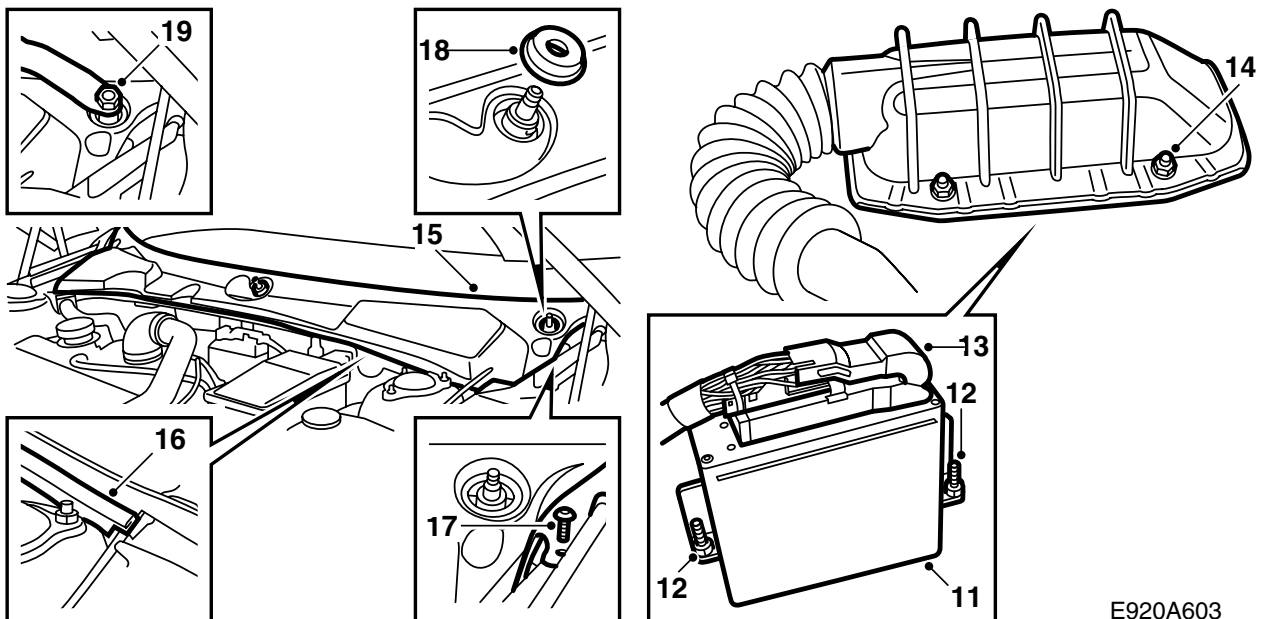
E920A017

- 1 Spark plugs (4)
- 2 Control module
- 3 Emblem



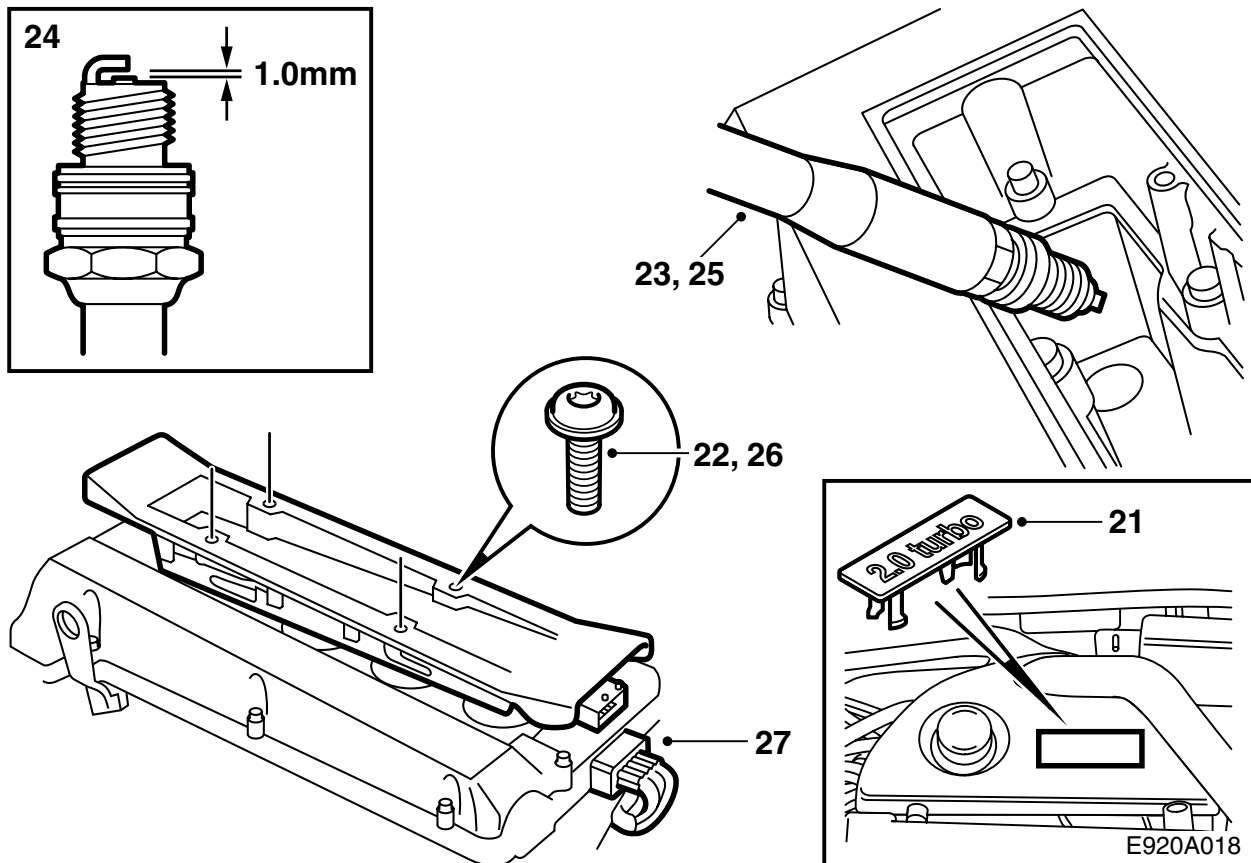
E920A602

- 1 Remove the covers over the nuts on the wiper spindles and loosen the nuts slightly.
- 2 Loosen the wiper arms with puller 85 80 144. Remove the nuts and wiper arms.
- 3 Remove the rubber wiper spindle seals.
- 4 Remove the two screw clips on the ends of the windscreen cover.
- 5 Loosen the rubber seal.
- 6 Remove the windscreen cover by gripping the front edge and lifting upwards/forwards. Pay attention to the hood (bonnet) release wire on the left-hand side.
- 7 Undo the 4 nuts securing the control module cover.
- 8 Tilt up the cover and unplug the control module connector by lifting up the catch on the right-hand side.
- 9 Undo the 2 control module retaining nuts. A 10 mm magnetic socket can be used.
- 10 Lift the control module straight up.



E920A603

- 11 Position the new control module.
- 12 Tighten the 2 control module retaining nuts.
- 13 Spary the control module multi-connector with Kontakt 61 (part no. 30 21 763), plug it in and secure it with the catch.
- 14 Fit the cover and tighten the 4 securing nuts.
- 15 Position the windscreen cover. Pay attention to the hood (bonnet) release wire on the left-hand side.
- 16 Fit the rubber seal.
- 17 Fit the two screw clips on the ends of the windscreen cover.
- 18 Refit the rubber wiper spindle seals.
- 19 Fit the wiper arms, adjust their resting position to the dot marks on the windscreen and tighten the nuts.
- 20 Refit the covers over the nuts on the wiper spindles.



- 21 Remove the engine cover and the emblem from the cover. Fit the new emblem and refit the cover.
- 22 Remove the ignition discharge module connector and the 4 retaining screws.
- 23 Remove the ignition discharge module and the spark plugs.
- 24 Check the new spark plug gaps. They should be 1.0-1.1 mm.
- 25 Apply Molykote 1000 (part no. 30 20 271) or the equivalent to the new spark plug threads and fit the spark plugs.

Tightening torque 27 Nm (20 lbf ft).

- 26 Lubricate the rubber seals on the ignition discharge module spark plug connections with Krytox (part no. 30 19 312) and fit the module.

Tightening torque 11 Nm (8 lbf ft).

- 27 Plug in the ignition discharge module connector.
- 28 Program the control module with the TWICE control module and main instrument unit by connecting the diagnostic tool. Select TWICE and the "Immobilizer" menu and then select "Programming".

Important

There may be diagnostic trouble codes present in the engine management system after programming. Clear them.

- 29 **Sweden:** Fill in the certificate included with the installation instructions and present it to the customer.

Important

A new registration test must be carried out on the car due to increased engine output.

The certificate must be presented at the registration test.

- 30 Hand over the installation instructions to the customer and "TUNING KIT CERTIFICATE FOR SAAB 9-5".