

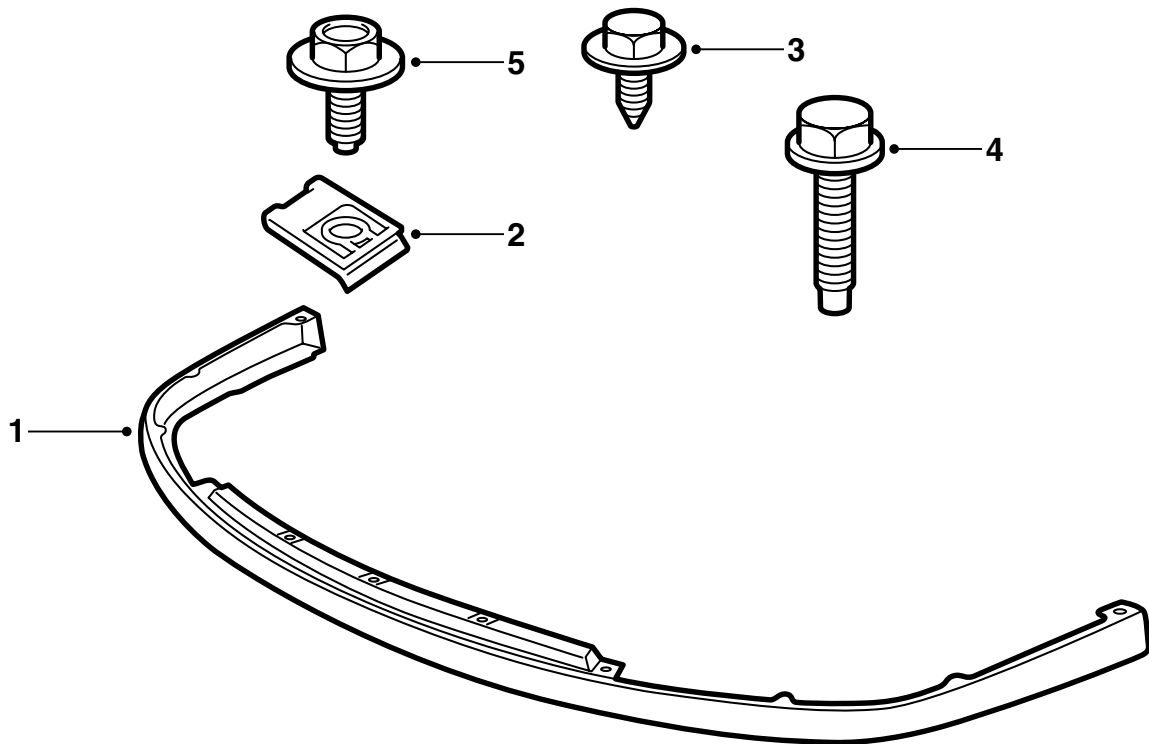


MONTERINGSANVISNING · INSTALLATION INSTRUCTIONS
MONTAGEANLEITUNG · INSTRUCTIONS DE MONTAGE

Saab 9-5

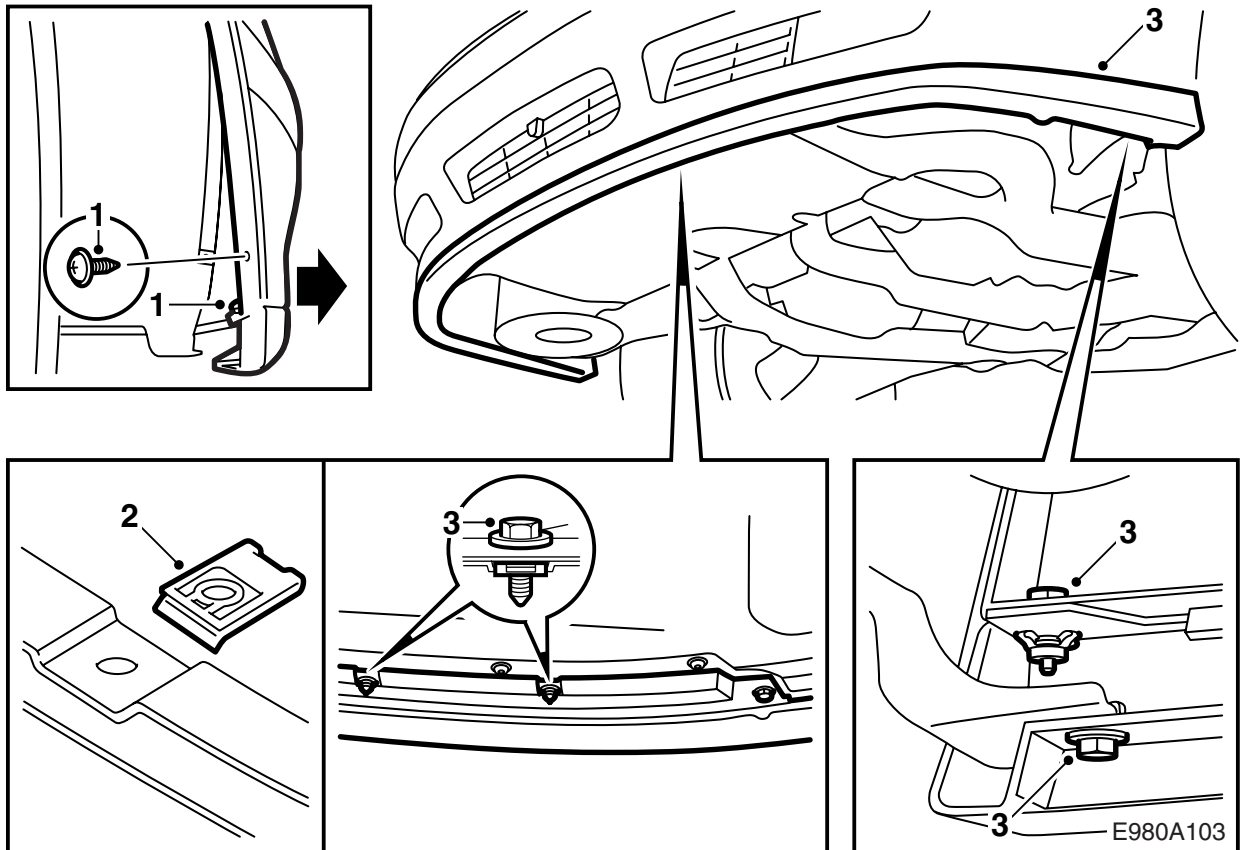
Front spoiler

Accessories Part No.	Group	Date	Instruction Part No.	Replaces
400 132 643	9:84-23	Aug 02	54 96 336	



E980A102

- 1 Spoiler
- 2 Clip (x3)
- 3 Screw (x2)
- 4 Screw (x4)
- 5 Screw (x3)



- 1 Remove the lower air shield as well as the right and left-hand sections of the spoiler. In order to access one of the screws on the right-hand section of the spoiler, the lower screw of the right-hand wheel arch liner must first be removed.
- 2 Fit the three clips to the spoiler (see illustration).

Note

When fitting the clips to the spoiler, the threaded side should face down.

- 3 Fit the spoiler. Secure the spoiler using M6 screws in the outer right and left-hand edges. Then fit the screws. The three centre screws are fitted from above.
- 4 Refit the lower air shield and refit the screw of the wheel arch liner.