

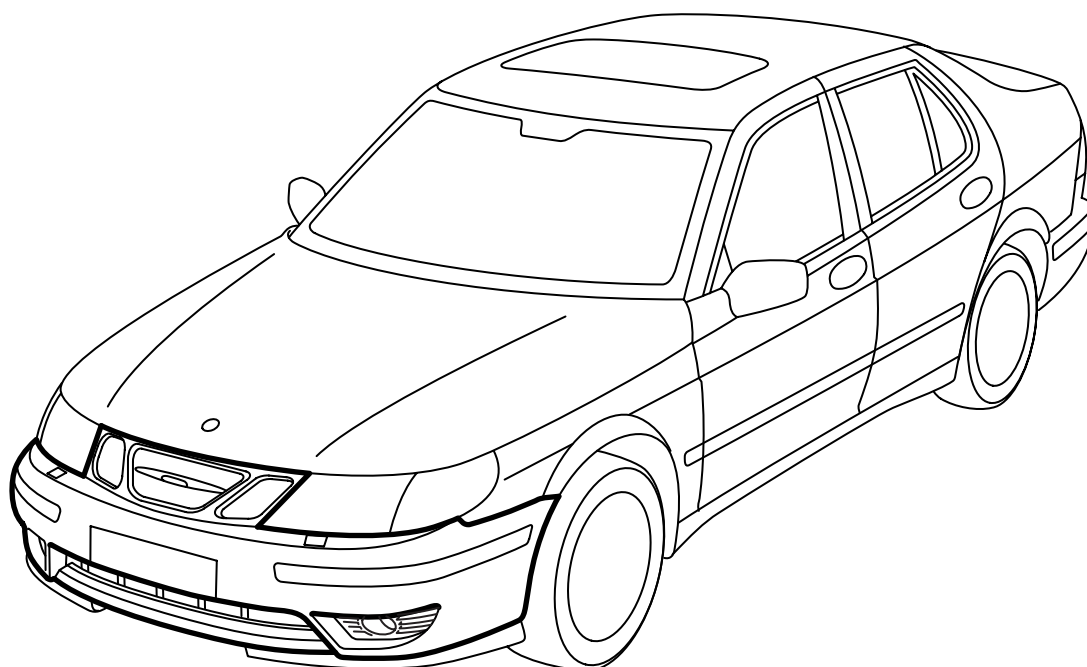


**MONTERINGSANVISNING · INSTALLATION INSTRUCTIONS
MONTAGEANLEITUNG · INSTRUCTIONS DE MONTAGE**

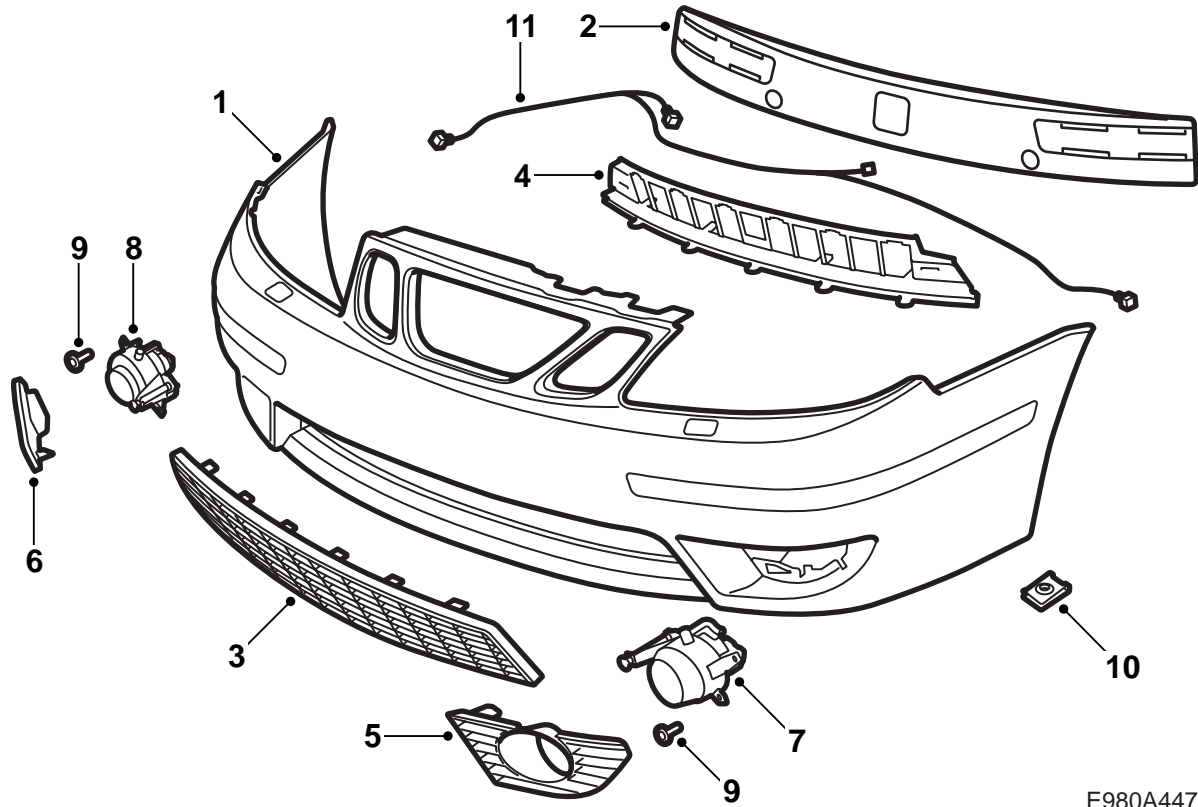
Saab 9-5 M02-

Front bumper

Accessories Part No.	Group	Date	Instruction Part No.	Replaces
400 133 229	9:84-30	Aug 03	55 81 855	55 81 855 May 03

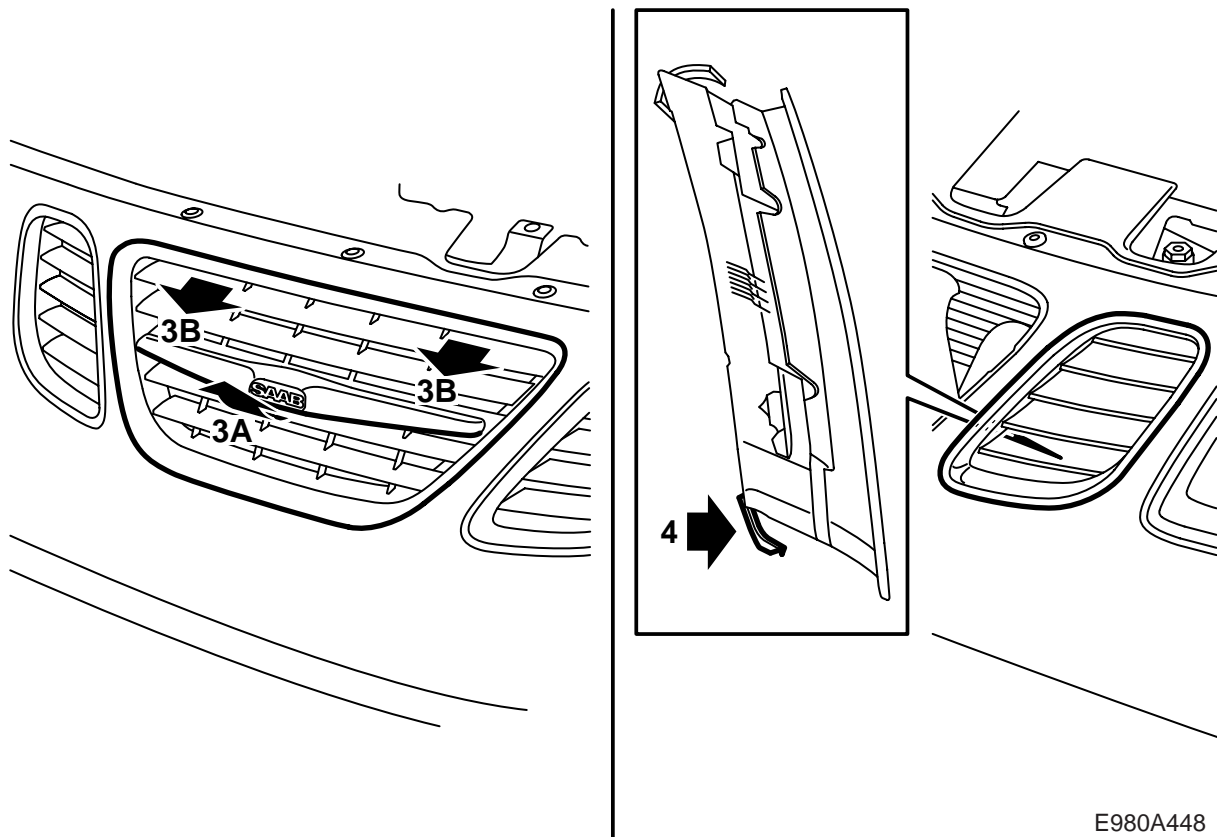


E980A446



E980A447

- 1 Bumper shell (ordered separately)
- 2 Cellular block
- 3 Lower grille, outer
- 4 Lower grille, inner
- 5 Lower grille, left
- 6 Lower grille, right
- 7 Fog light L
- 8 Fog light R
- 9 Screw (x6)
- 10 Clip nut (x6)
- 11 Wiring harness

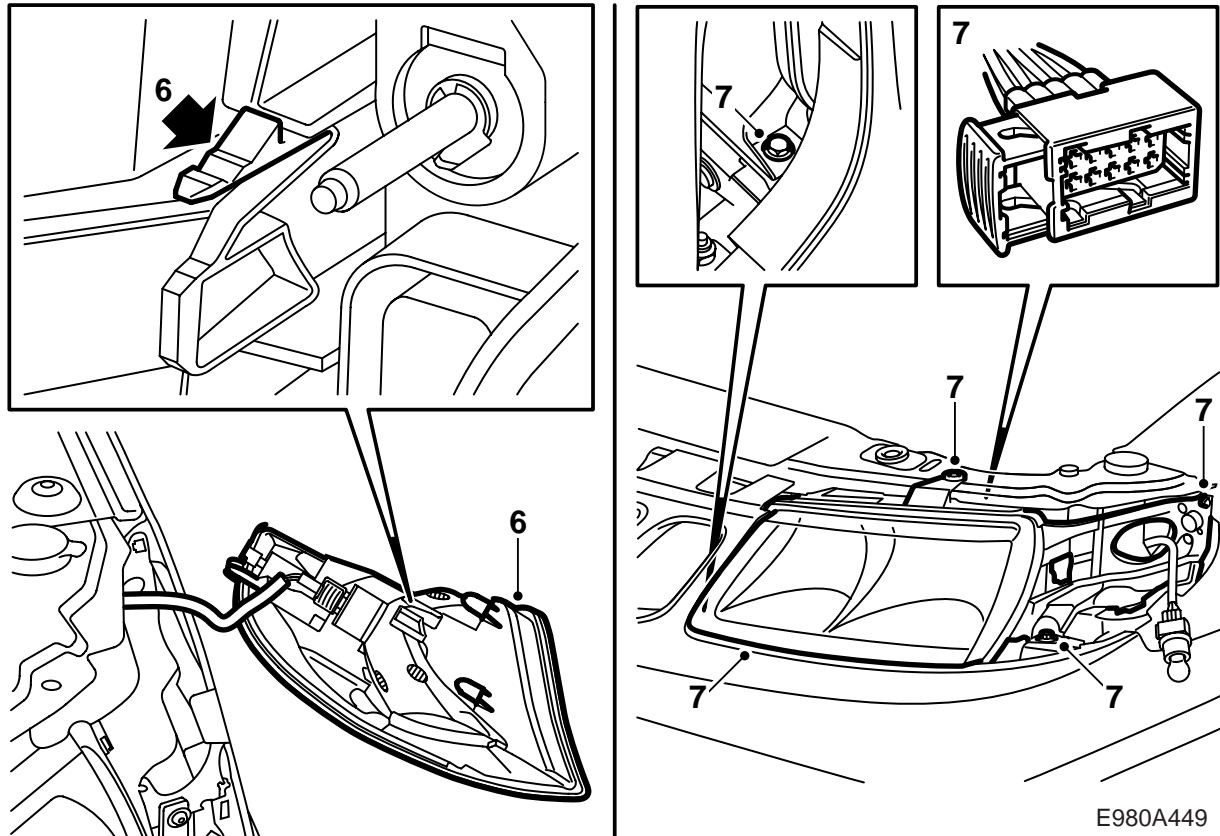


E980A448

The bumper shell has been treated with grey primer in preparation for painting.

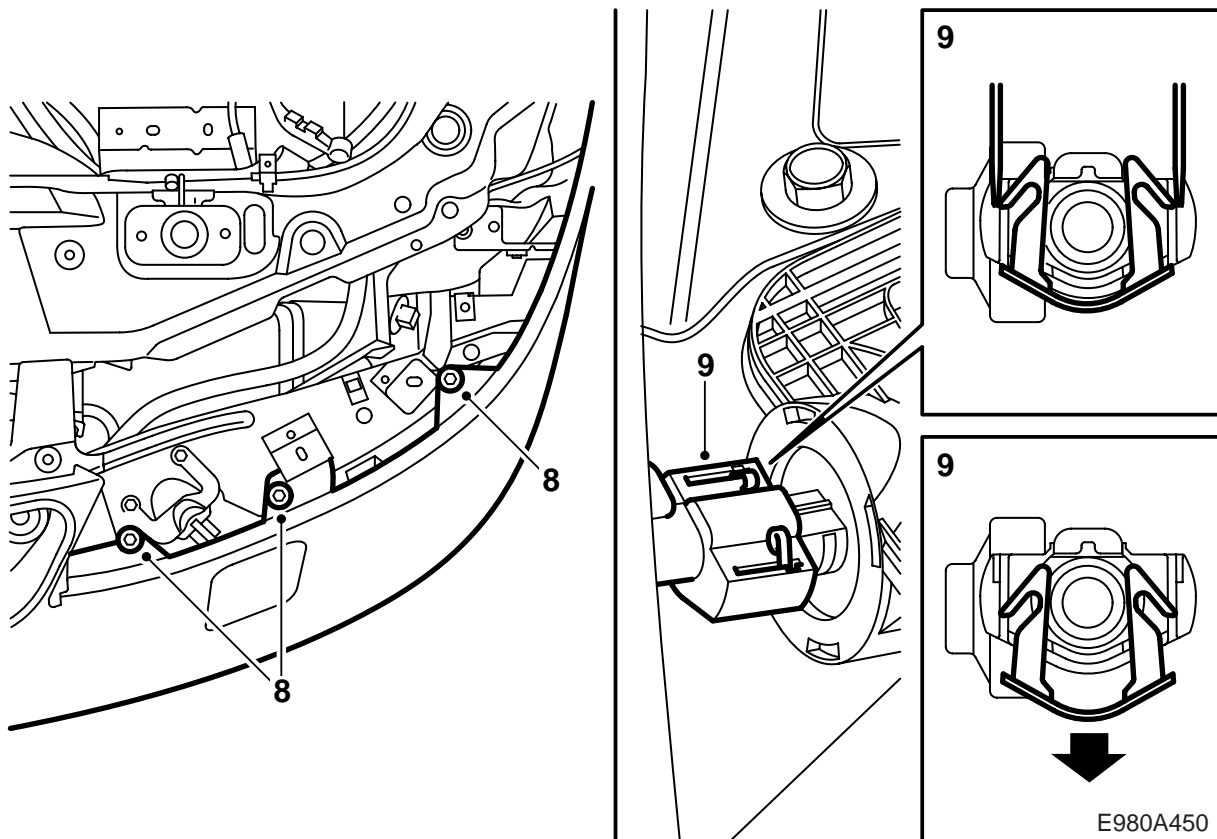
Paint the bumper shell in the colour of the body, see "Directions for painting preprimed PP/EPDM plastic" in these installation instructions.

- 1 Open the hood (bonnet).
- 2 Raise the car to a suitable height for the work.
- 3 Remove the centre grille by:
 - A Lifting it slightly to release its lower edge.
 - B Pulling it forward and down so that the spring clips release.
- 4 Remove each side grille from the rear side by raising the lower clips so that they release. Lift away the side grille.
- 5 Remove the battery cover.



E980A449

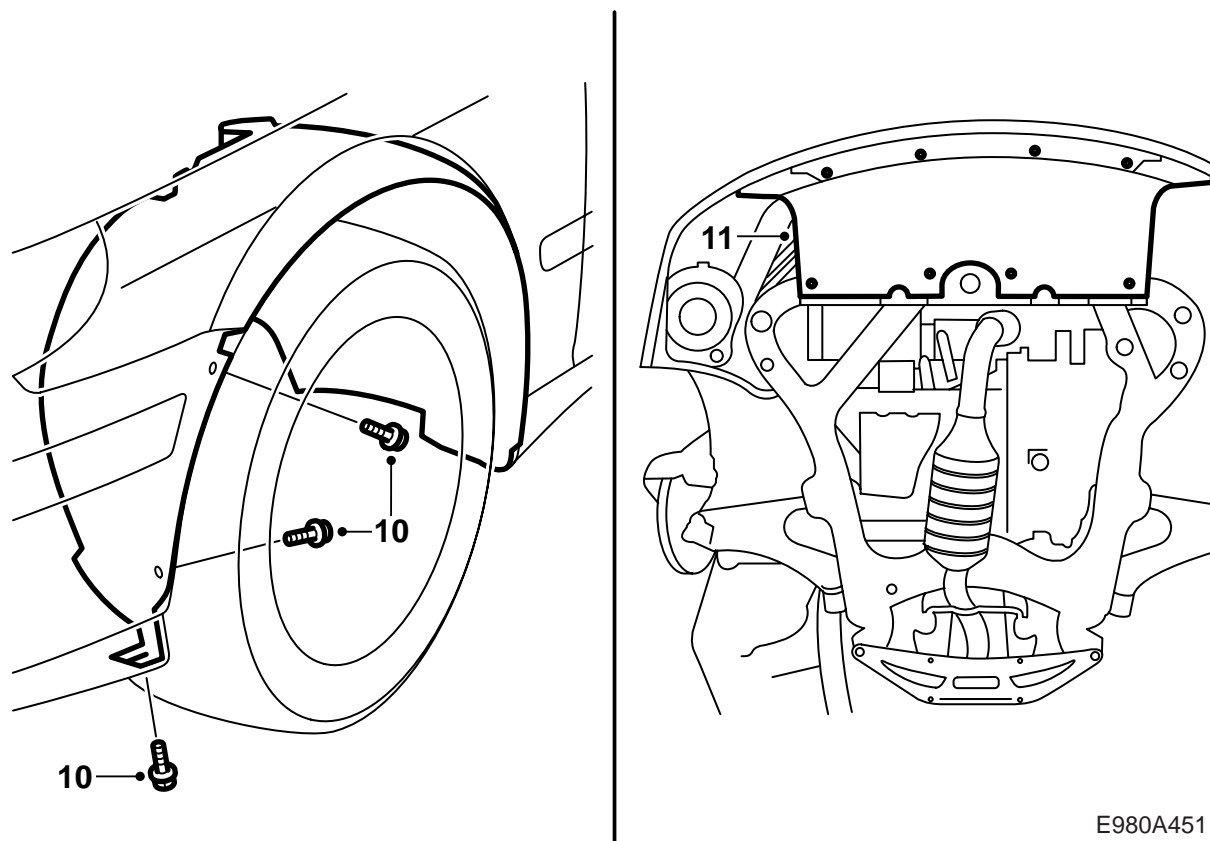
- 6 Undo the indicator lamp by pressing down the snap fastener. Unplug the connector and remove the indicator.
- 7 Remove the bulb's protective cover to facilitate the removal. Remove the screws and undo the clip located in the front fender (wing).
Lift out the headlamp slightly for access to facilitate removal of the connector to the lamp. Unplug the connector and lift away the headlamp.



- 8 Remove the bolts holding the front bumper shell to the bumper member.
- 9 Remove the washer nozzle with protective cover and press in both sides of the clip using two small screwdrivers. Press the clip down so that it releases and the nozzle can be removed. Refit the clip on the nozzle.

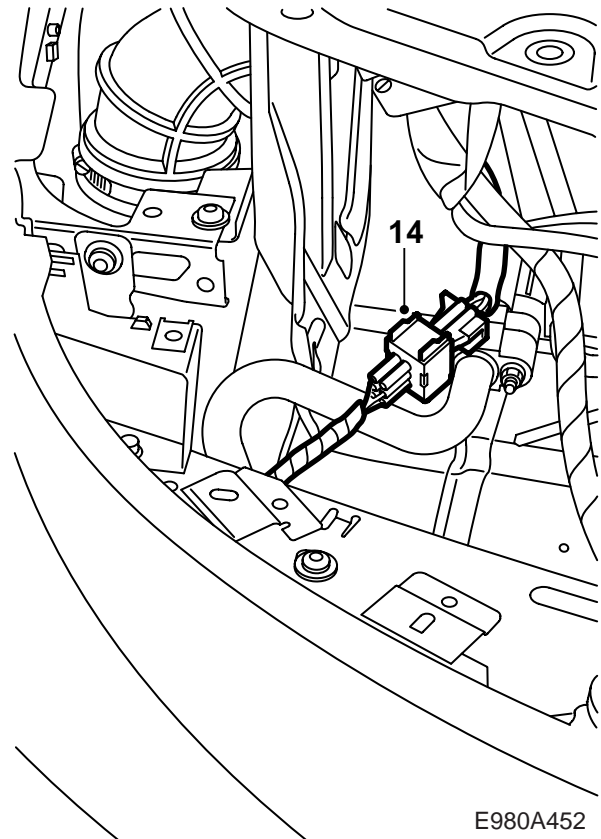
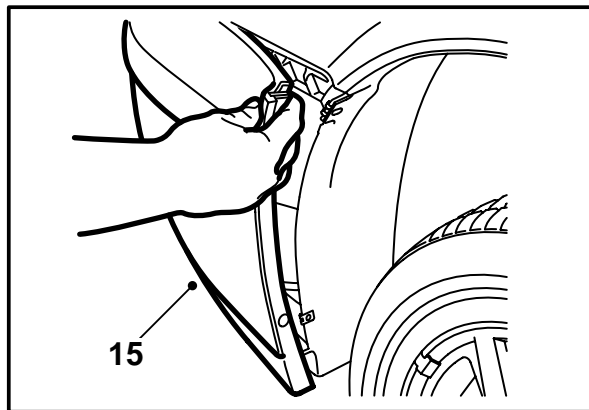
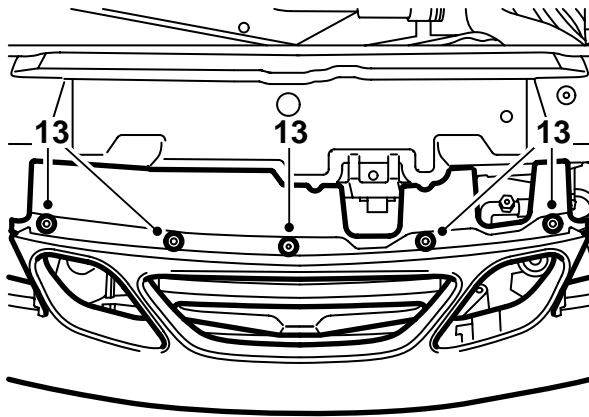
Important

Check that the clip locks properly. Use a new clip if this function is defective.



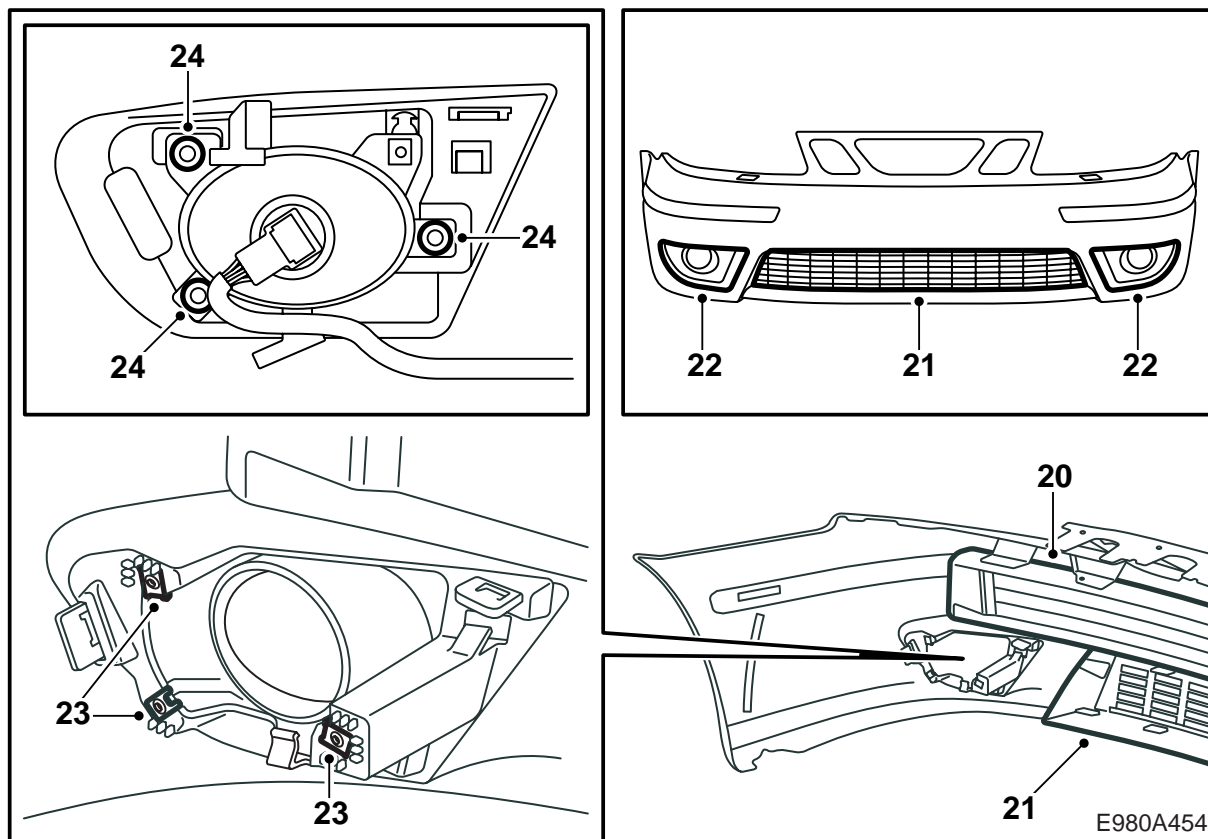
E980A451

- 10 Remove the screws holding the front bumper shell to the wheel arch liners.
- 11 Remove the spoiler shield screws. Bend the front bumper shell lower section down and remove the spoiler shield.
- 12 Remove the temperature sensor connector and remove the temperature sensor.

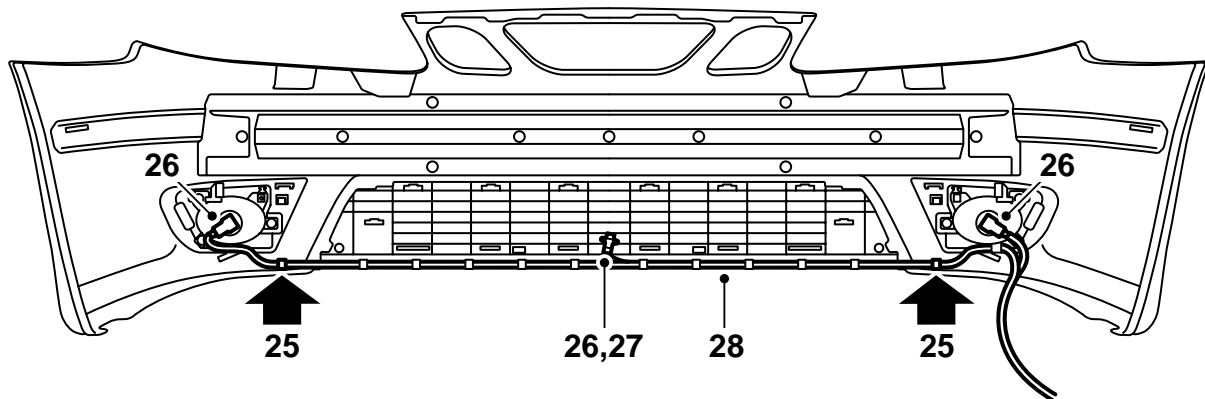


E980A452

- 13 Remove the clips.
- 14 Unplug the connector for the temperature sensor and any fog lights.
- 15 First undo the outer corners on both sides of the bumper so that they release from the fender (wing) and then the wheel arch liner.
- 16 Pull loose the bumper from the side and pull out the 6 tabs from the brackets.
- 17 Clean any dirt from the groove for the bumper's attachment under the front edge of the front fender (wing).
- 18 Remove the front licence plate (number plate) together with any holder. It must be moved over to the new front bumper shell.
- 19 Place the new front bumper shell, with inside pointing upwards, on a clean and flat surface that will not cause scratches.

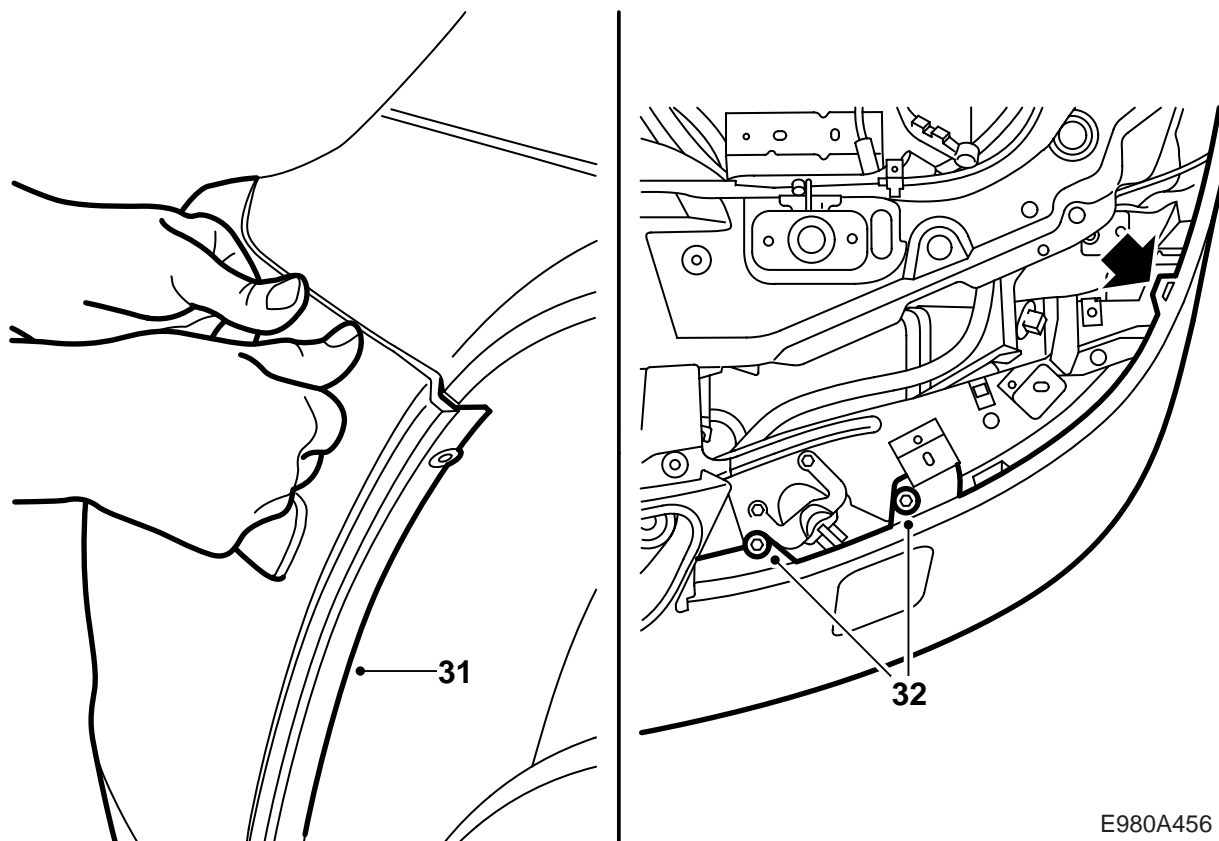


- 20 Fit the new cellular block and point its centre lines to the centre of the front bumper shell.
- 21 Fit the lower grille (two sections). Start with the outer section. Check that all hooks are correctly fitted.
- 22 Fit the grille sections at the fog light openings.
- 23 Fit the fog lights' clip nuts.
- 24 Fit the fog lights.



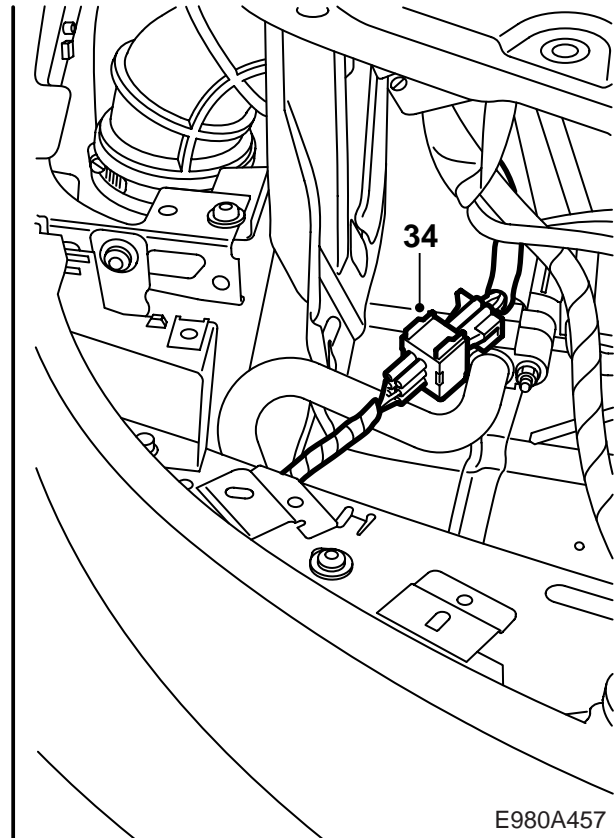
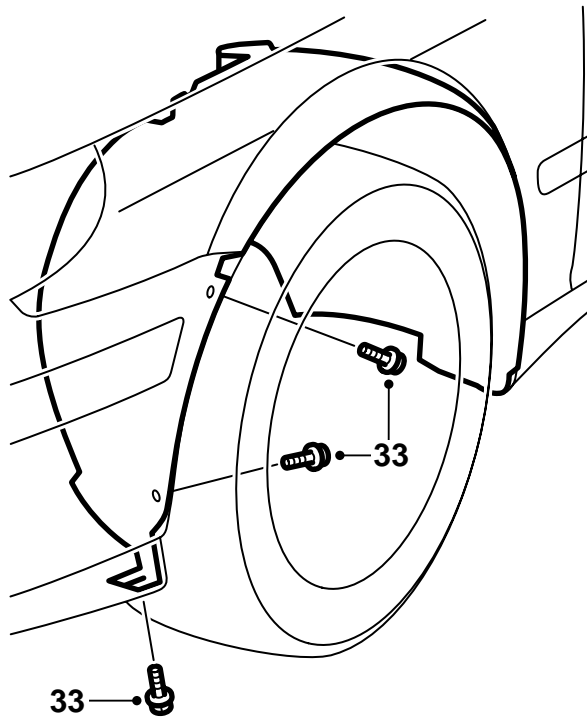
E980A455

- 25 Position the wiring harness on the bumper with the white markings by the brackets in the lower edge of the fog lights and with the wiring harness large connector on the right-hand side of the car.
- 26 Connect the fog lights and the temperature sensor.
- 27 Fit the temperature sensor.
- 28 Press the wiring harness securely into the groove.



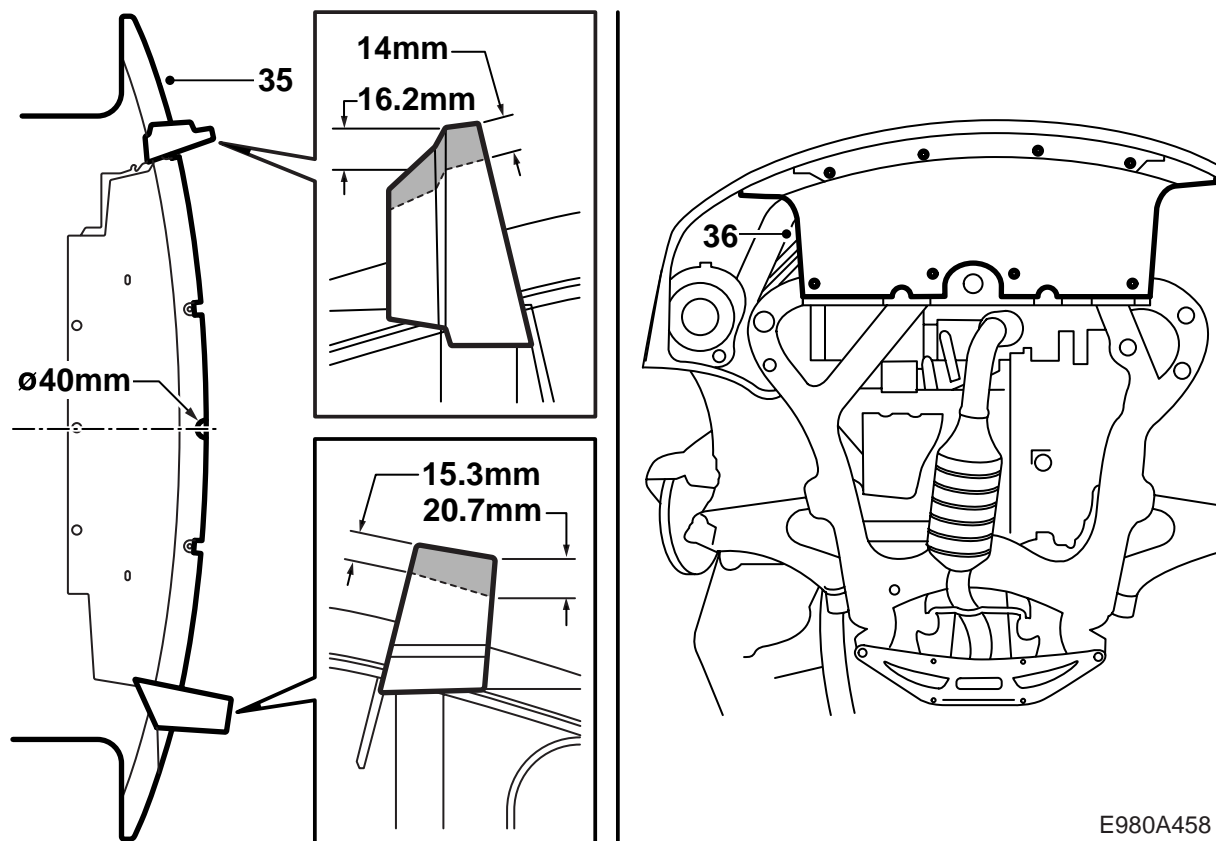
E980A456

- 29 Check that none of the 4 tabs on the bumper member is damaged or bent down.
- 30 Lift up and fit the bumper tabs into the brackets.
- 31 Fit the bumper over the wheel arch liner. Press the clips into the brackets.
- 32 Fit the front bumper shell retaining screws in the bumper member.



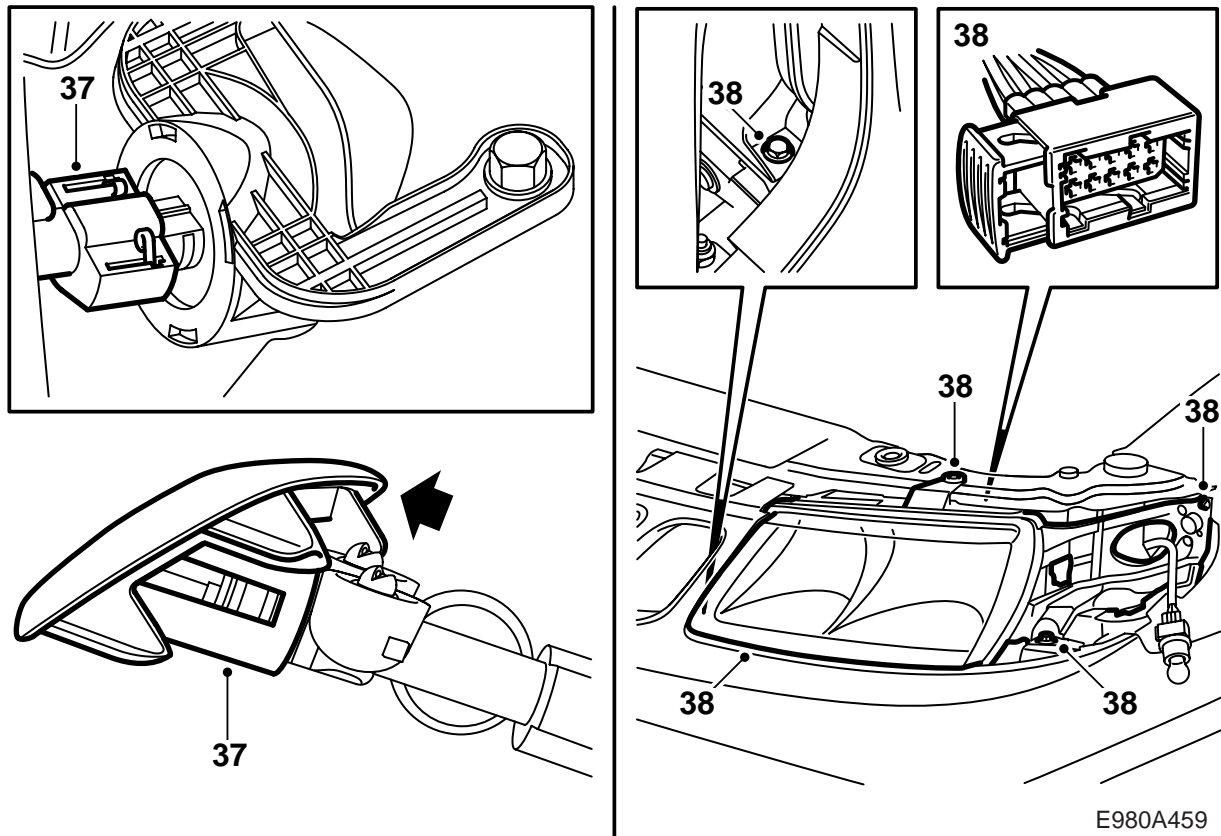
E980A457

- 33 Fit the screws that hold the bumper to the wheel arch liner.
- 34 Guide the connector up to the temperature sensor and the fog lights in front of the air cleaner. Connect the connector.

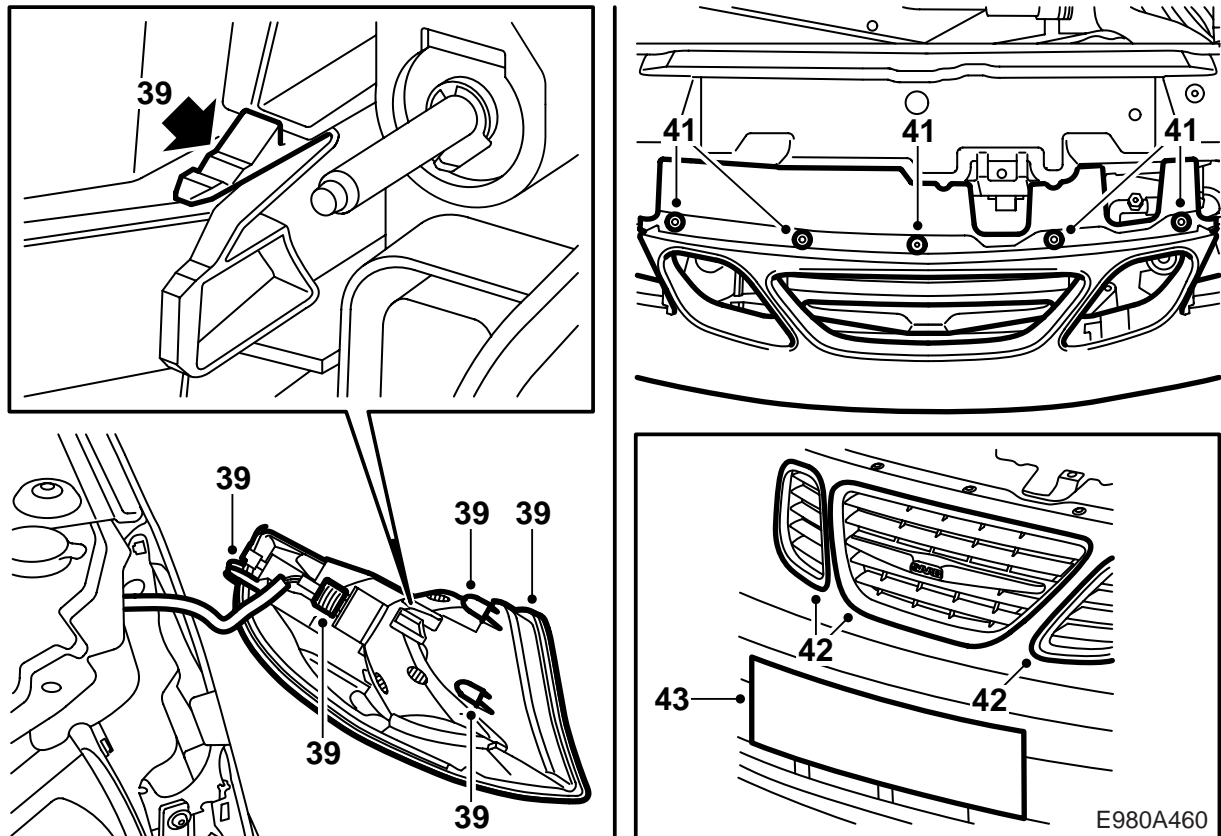


E980A458

- 35 Cars with Vehicle Identification Number up to and including 33027678: Modify the spoiler shield.
- 36 Fit the spoiler shield by guiding in the shield towards the front bumper shell. Fit the screws.



- 37 Check the locking function on the washer nozzle clip. Guide the washer nozzle and cover through the hole and pull out the telescopic cylinder. Press the washer nozzle together with the telescopic cylinder. Check that the clip has locked properly.
- 38 Spray "Kontakt 61" and connect the headlamp connector. Angle the headlamp in to the bracket, press the clip securely into the front fender (wing) and fit the screws that hold the headlamp. Fit the bulb's protective cover.



- 39 Guide back the indicator connector and connect the connector. Position the indicator so that the three guide pins are correctly positioned and firmly press the indicator. Check that the locking clip has engaged correctly.
- 40 Fit the battery cover.
- 41 Fit the clips in the front bumper shell.
- 42 Position the upper grille sections into place. Fit them by pressing them into their correct position.
- 43 Fit the licence plate (number plate) together with any holder.
- 44 Close the hood (bonnet) and check the fit.
- 45 Check headlight alignment and adjust if necessary.

Directions for painting preprimed PP/EPDM plastic

- Place the sill covers in such a way as they will not be distorted while painting.
- The temperature must not exceed +40 °C (104 °F).
- The sill covers are primed on delivery.
- Use clean gloves when handling the sill covers.

Drying time

70 minutes at 40 °C (104 °F).

Preparations

- Rub down the primed surfaces thoroughly. Use 3M 1200 or 800 abrasive paper.