

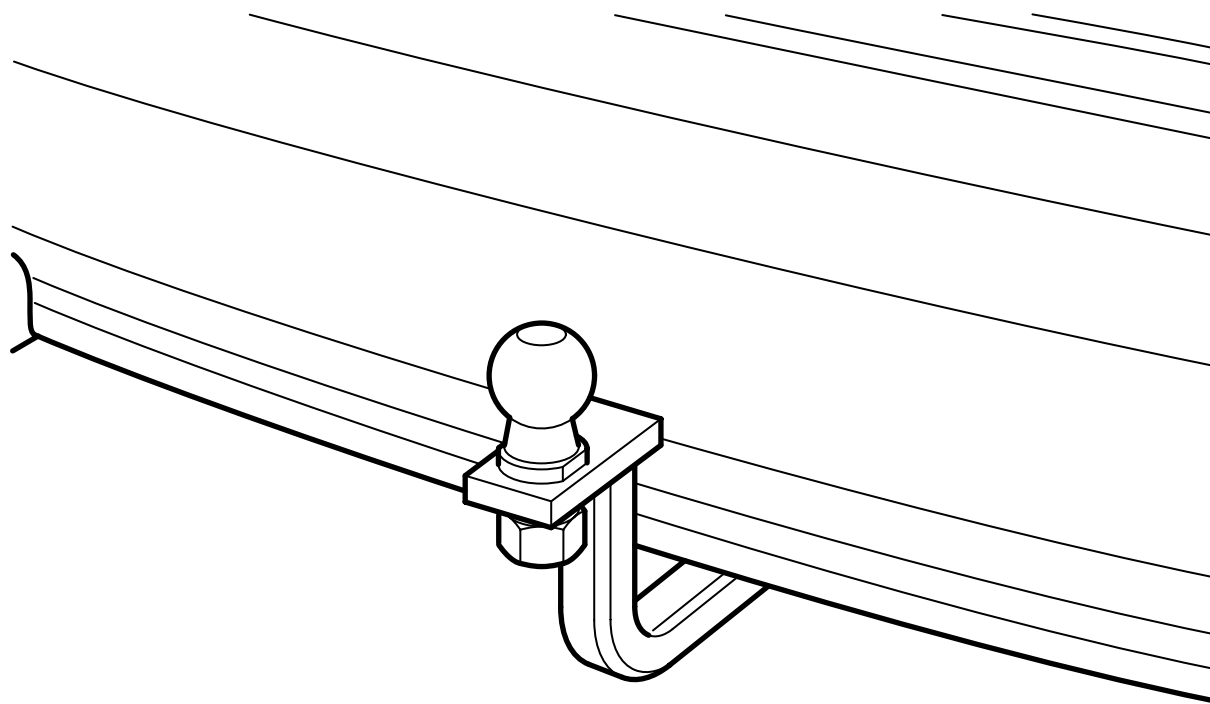


**MONTERINGSANVISNING · INSTALLATION INSTRUCTIONS
MONTAGEANLEITUNG · INSTRUCTIONS DE MONTAGE**

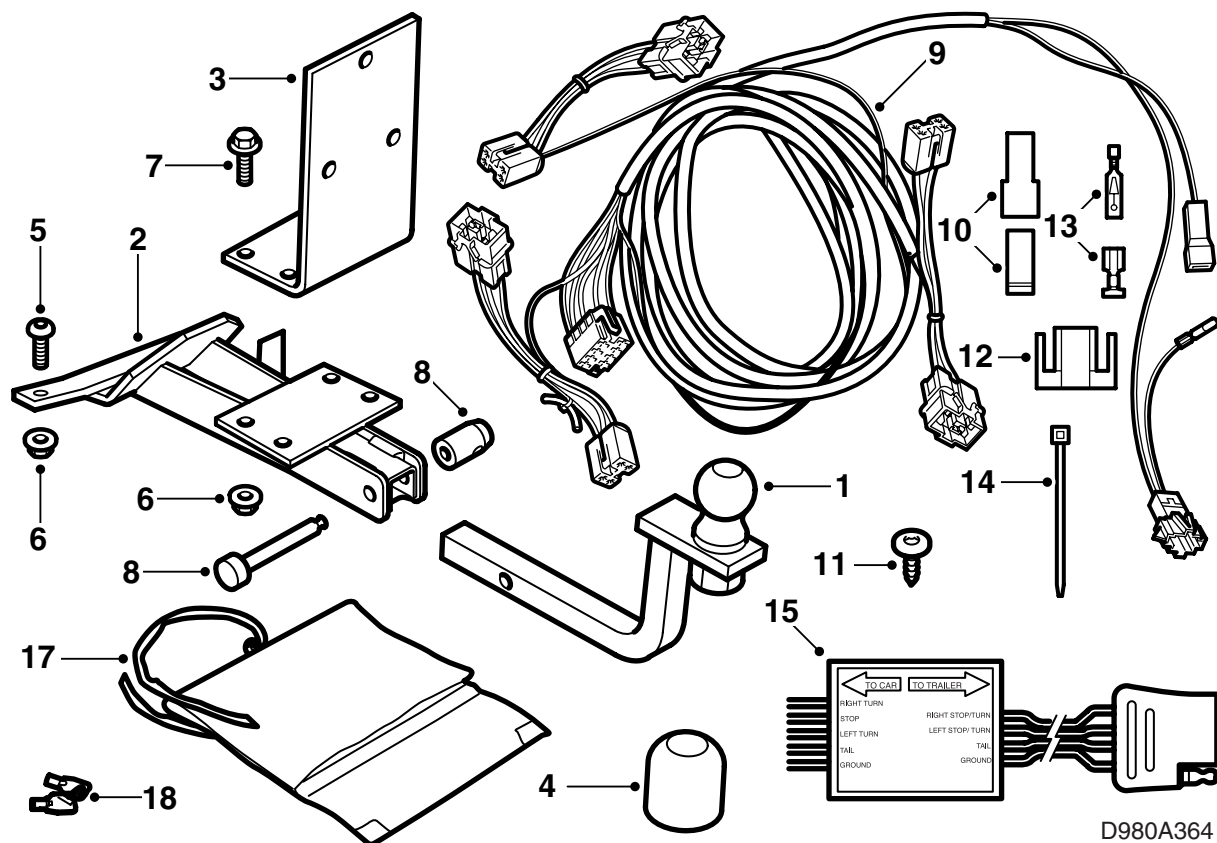
Saab 900 M94-, 9-3 -M03 (9400)

Towbar, detachable

Accessories Part No.	Group	Date	Instruction Part No.	Replaces
55 25 175	8:60-46	Jun 04	55 25 217	



D980A363



- 1 Towbar, detachable
- 2 Lower mounting plate
- 3 Upper mounting plate
- 4 Ball guard
- 5 Bolt M10X30 (x7)
- 6 Nut M10 (x8)
- 7 Bolt M10x40 (x2)
- 8 Lock pin
- 9 Wiring harness
- 10 Connector
- 11 Bolt
- 12 Connector
- 13 Cable pin/sleeve
- 14 Cable tie
- 15 Wiring harness with diode box
- 16 User instructions
- 17 Storage bag
- 18 Keys (x2)
- 19 Protective cover

Note

Always check national legislation and regulations regarding mounting a towing bracket. Ensure that all requirements are complied with.

Maximum permitted trailer weight:

The towing bracket has been designed and tested in accordance with test standard V-5 and is intended for Class 2.

Trailer with brake: 3500 lbs (1587 kg)

Trailer without brake: 1000 lbs (455 kg)

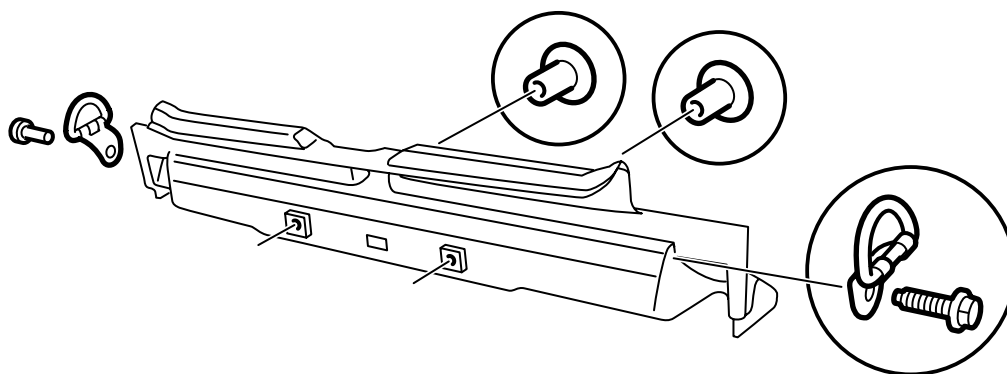
Max. permissible ball pressure: 165 lbs (75 kg)

Assembly weight : 28.4 lbs (12.9 kg)

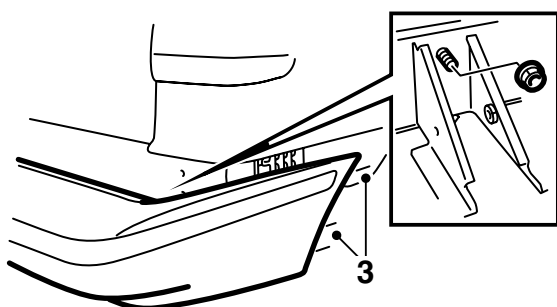
Important

The wiring harness must be connected in accordance with these installation instructions. This is mandatory. If the wiring harness is connected in any other way then the car's electronic system can be damaged.

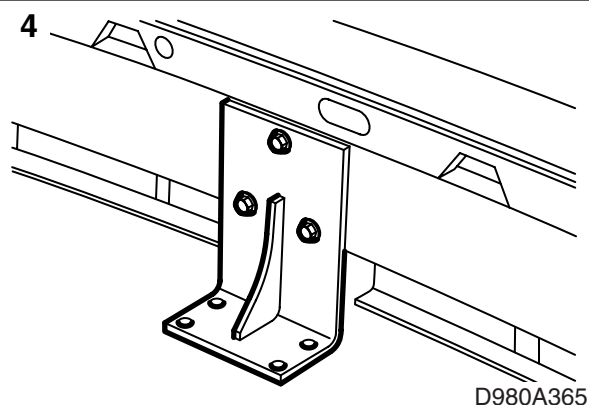
2



3



4



1 Lift the spare wheel, foam block and tool kit out of the spare wheel well.

2 Remove the rear lashing eyes from the luggage compartment and remove the scuff plate.

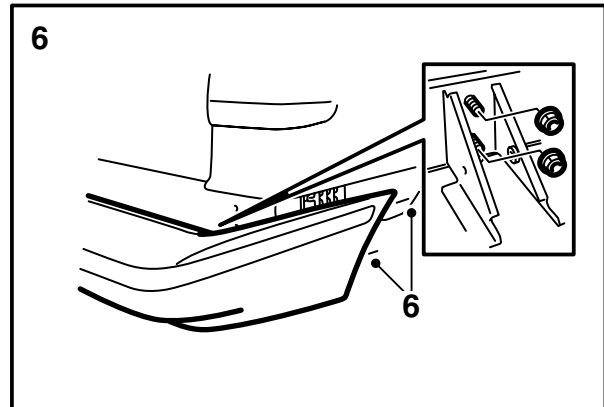
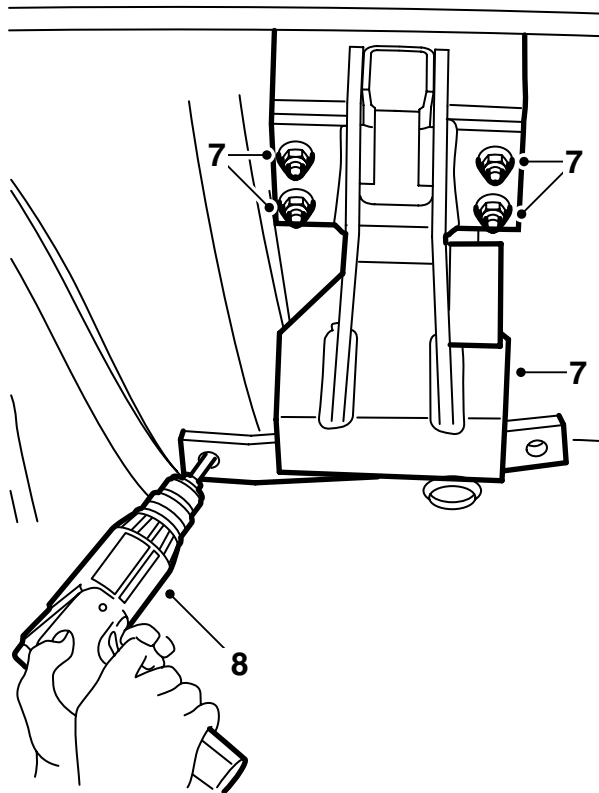
3 Remove the rear bumper.

9-3 Aero M01-: Remove the plastic extension from the rear/lower edge of the rear wheel housings.

4 Remove the bolt fitted in one of the holes on the bumper rail and fit the upper mounting plate to the bumper. Check that the line above the upper mounting plate upper bolt is parallel with the bumper rail.

Tightening torque 40 Nm (30 lbf ft).

5 Deburr the hole and remove loose drillings and flakes of paint. Clean with Teroson FL Cleaner or similar. Apply Standox 1K Primer Filler or similar. Apply finish paint.



D980A366

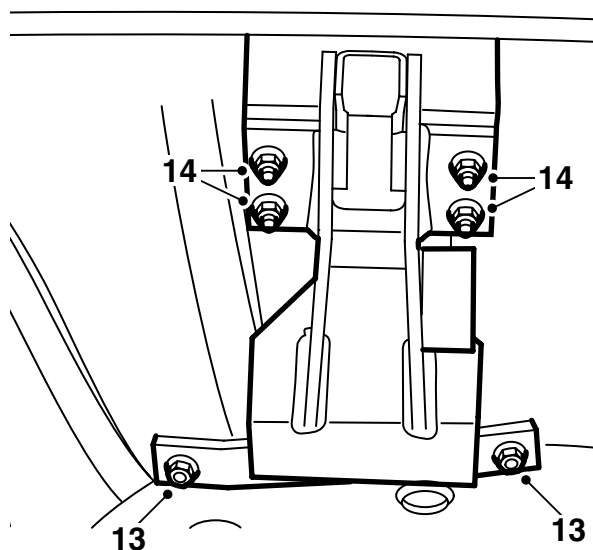
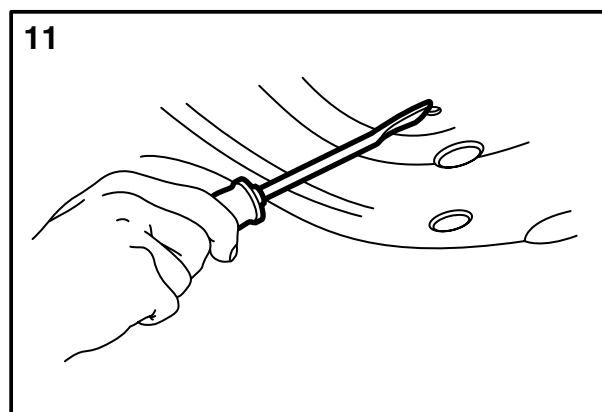
- 6 Fit the bumper with four nuts (2 included in kit).

Tightening torque 40 Nm (30 lbf ft).

If necessary, tighten the bolts by the wheel housings.

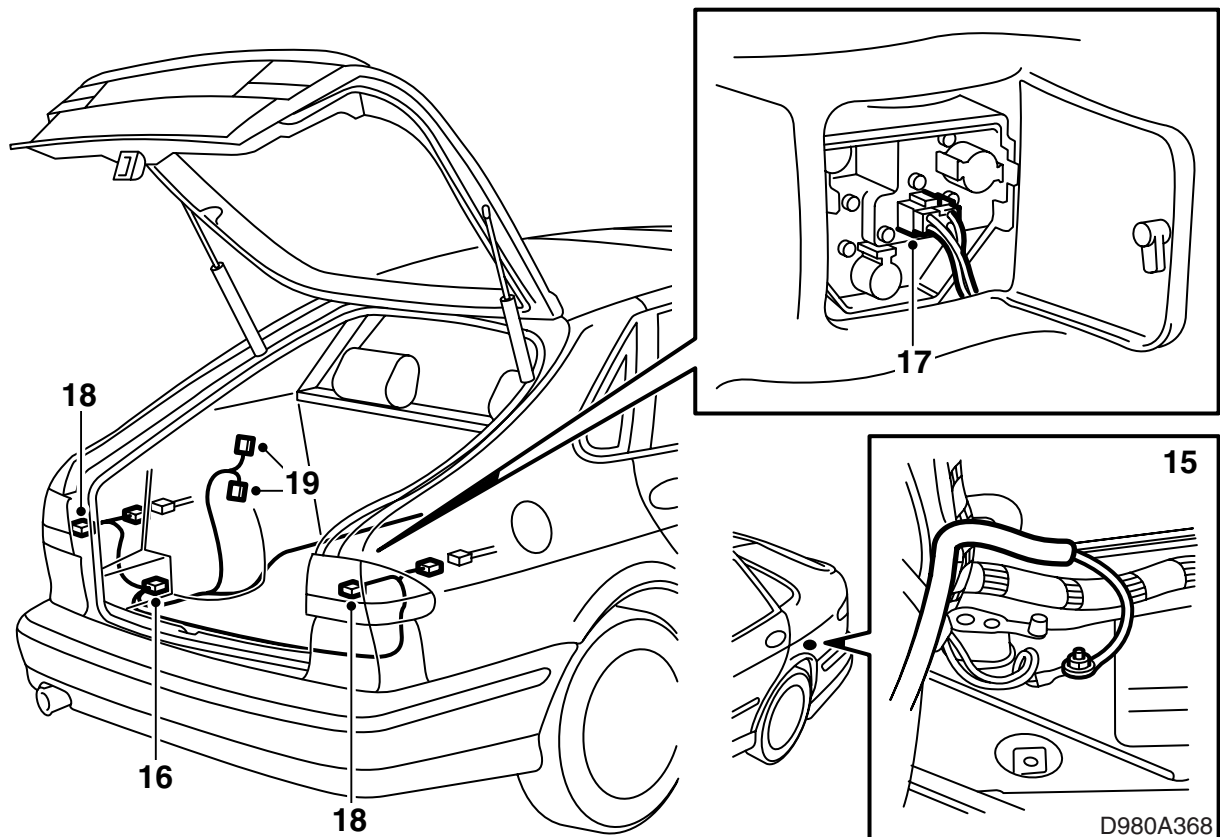
9-3 Aero M01-: Fit the plastic extension to the lower/rear edge of the rear wheel housings.

- 7 Fit the upper mounting plate and the lower mounting plate together without tightening the bolts.
- 8 Fit the lower mounting plate to the spare wheel well and tighten the bolts. Use the towbar unit as a template and drill 2 holes with a 10 mm drill bit in the spare wheel well.
- 9 Mark, in the underseal, the outer edges of the mounting plate.
- 10 Remove the lower mounting plate.



D980A367

- 11 Carefully scrape away the underseal within the marked area.
- 12 Deburr the holes and remove loose drillings and flakes of paint. Clean with Teroson FL Cleaner or similar. Apply Standox 1K Primer Filler or similar. Apply finish paint. Apply Terotex HV 400 or similar to the area where the underseal was scraped away.
- 13 Fit the upper mounting plate and the lower mounting plate together. Fit the towbar with 2 bolts and 2 nuts through the drilled holes in the spare wheel well. The bolts must be fitted from inside the luggage compartment.
Tightening torque 50 Nm (37 lbf ft).
- 14 Tighten the bolts between the upper mounting plate and the lower mounting plate.
Tightening torque 70 Nm (52 lbf ft).

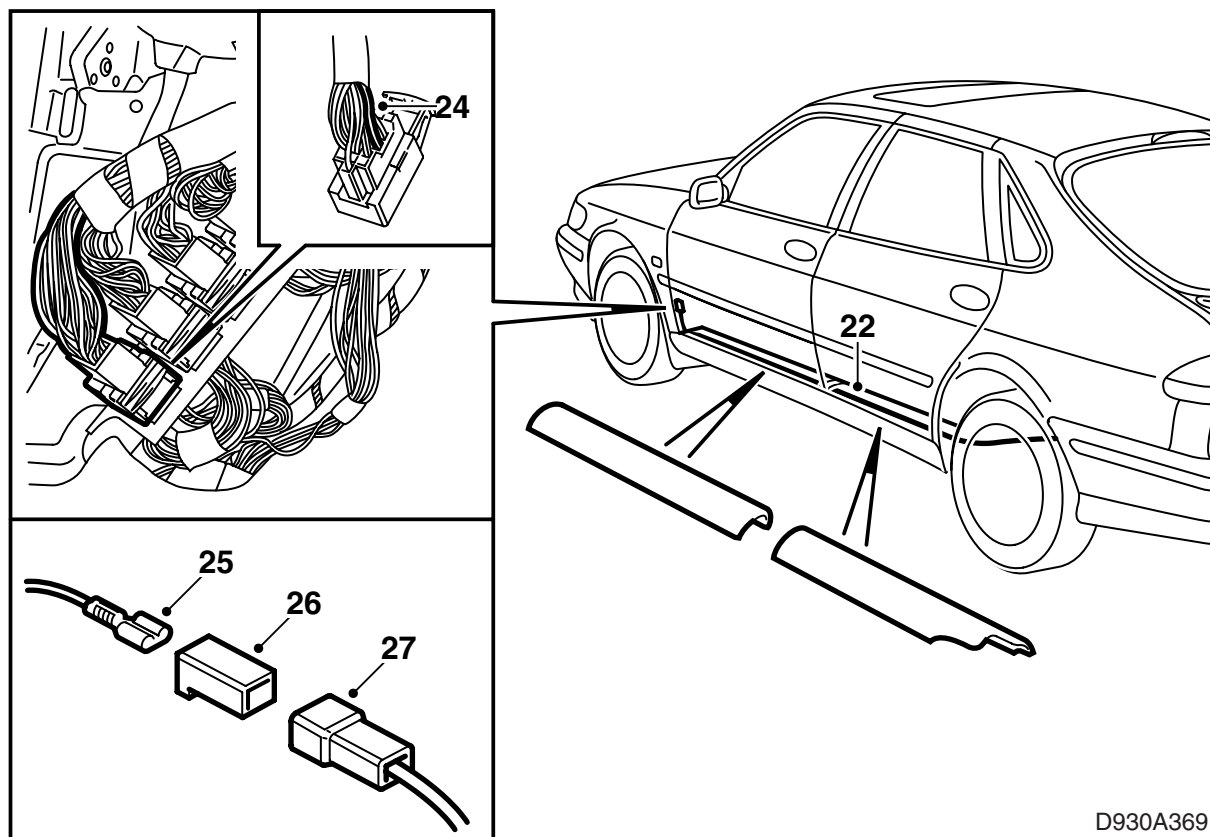


Starting point for fitting the wiring harness:

Rear sill plate removed.

Left-hand inner rear side trim removed.

- 15 Connect the ground cable to the grounding point under the left-hand rear light.
- 16 Fit the 8-pin connector to the trailer's wiring harness.
- 17 Detach the connectors from the rear lights.
- 18 Fit the connector from the installation kit with the sleeve to the left-hand rear light and the other connector from the same cable branching to the right-hand rear light.
- 19 Remove the black 4-pin connector behind the left-hand wheel housing in the luggage compartment. Fit the other 4-pin connector from the installation kit.
- 20 Remove the sill plates on the left-hand side and the cover under the steering wheel.



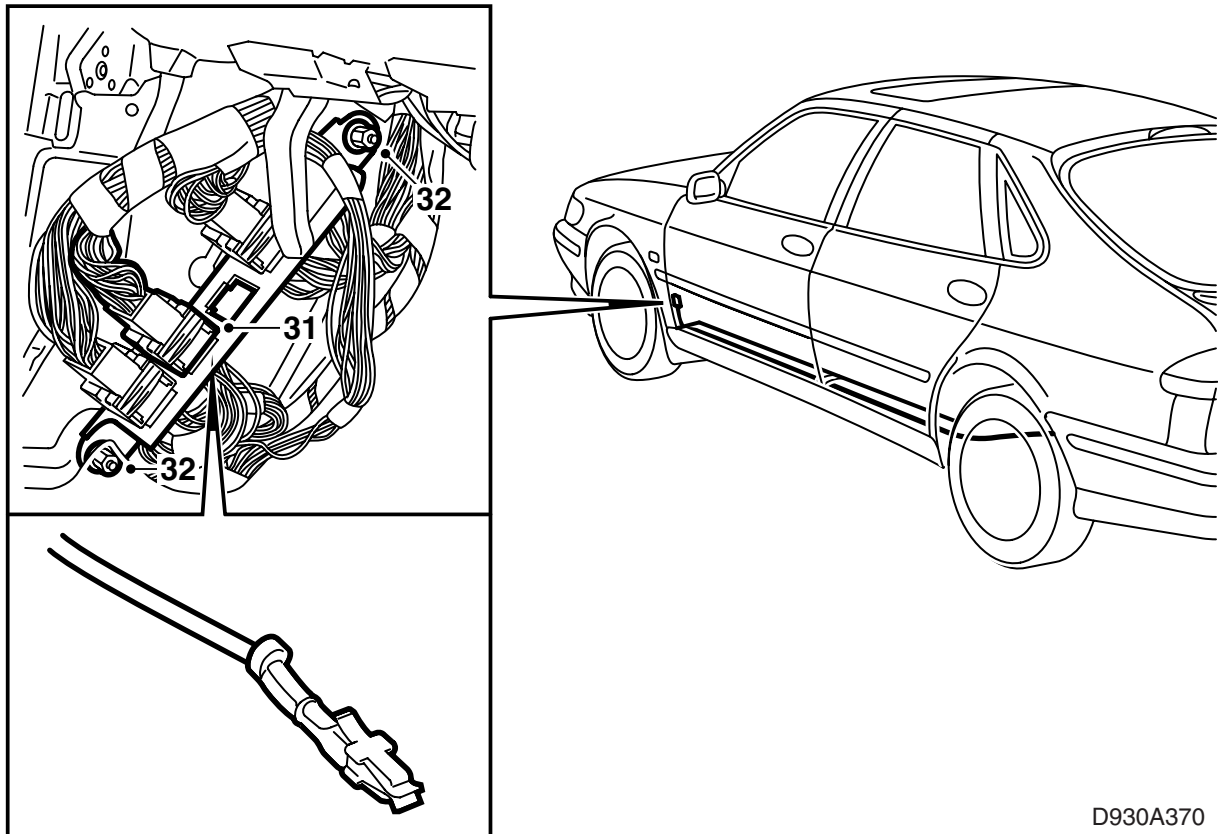
D930A369

- 21 **3D**: Remove the left-hand side trim from the rear seat.
- 22 Pull the wiring harness along the left-hand side of the car, from the luggage compartment to the dashboard.
- 23 Fold the carpet away from the connectors on the holder under the A-pillar.

Saab 9-3: Proceed to step 31.

900

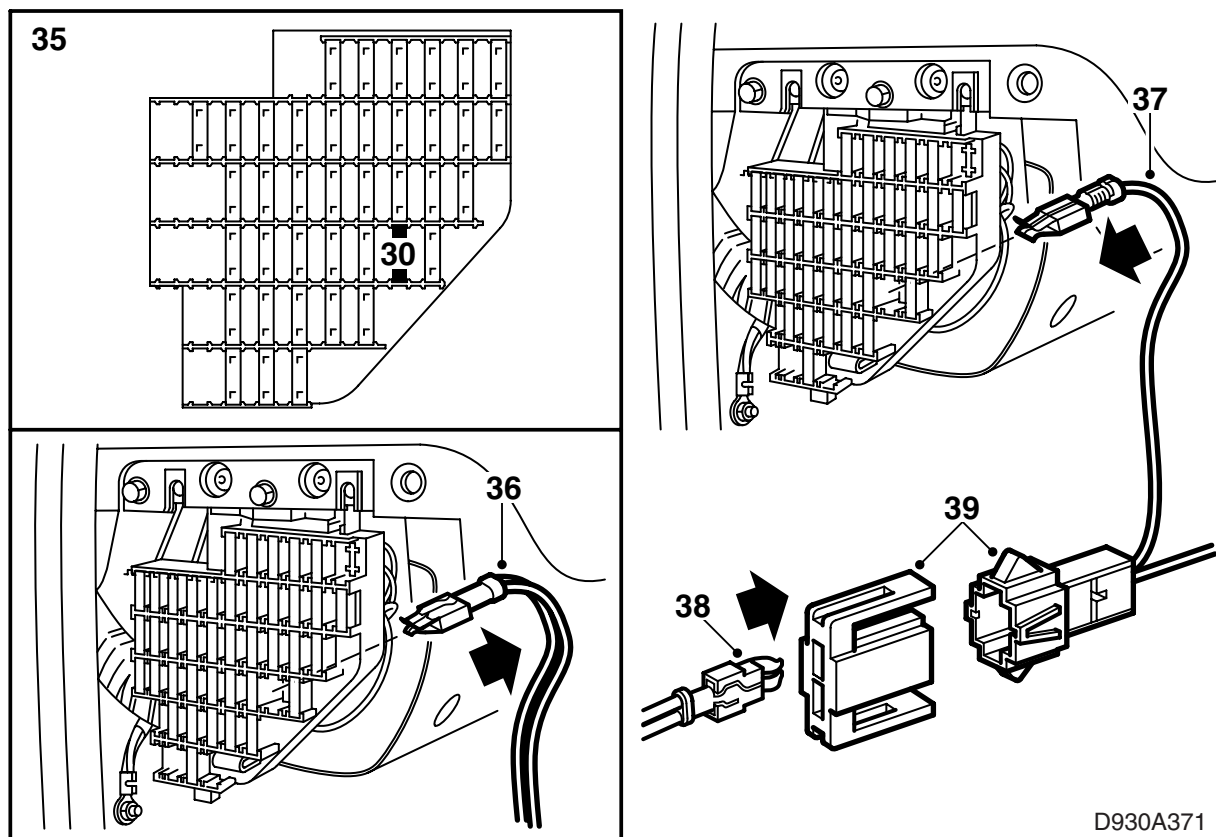
- 24 Cut the VIOLET cable to pin 13 on the grey 33-pin connector. Cut as close as possible to the connector.
- 25 Peel off approx. 15 mm and fit the cable sleeve from the kit on to the cable.
- 26 Fit the cable sleeve to the 1-pin connector.
- 27 Cut the cable terminal on the kit's VIOLET cable.
- 28 Peel off approx. 15 mm and fit the pin from the kit on to the cable.
- 29 Fit the pin to the 1-pin connector from the kit.
- 30 Attach the connectors together. Proceed to step 35.



D930A370

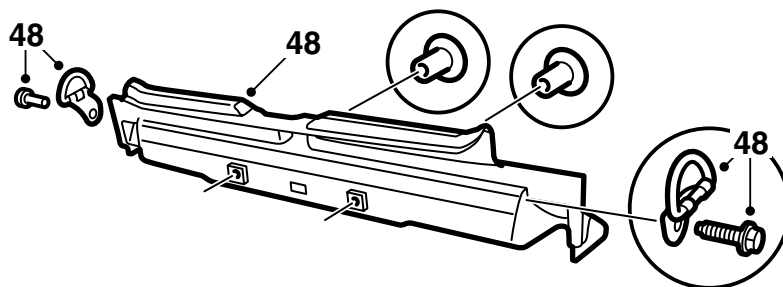
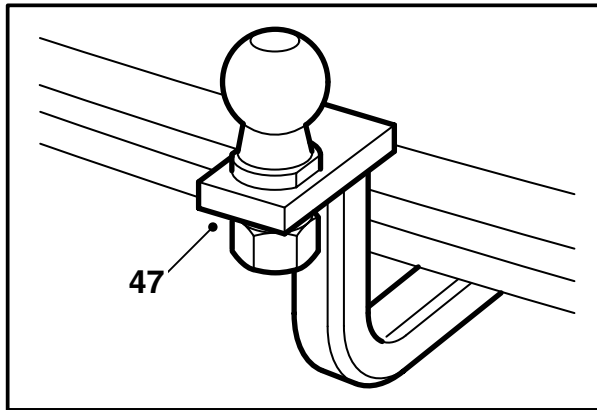
9-3

- 31 Remove the blue 33-pin connector.
- 32 Undo the two retaining nuts for the connector holder and fold up the holder.
- 33 Fit the VIOLET cable from the kit to pin 7 in the blue connector on the connector holder.
- 34 Tighten the connector holder and fit the 33-pin connector.



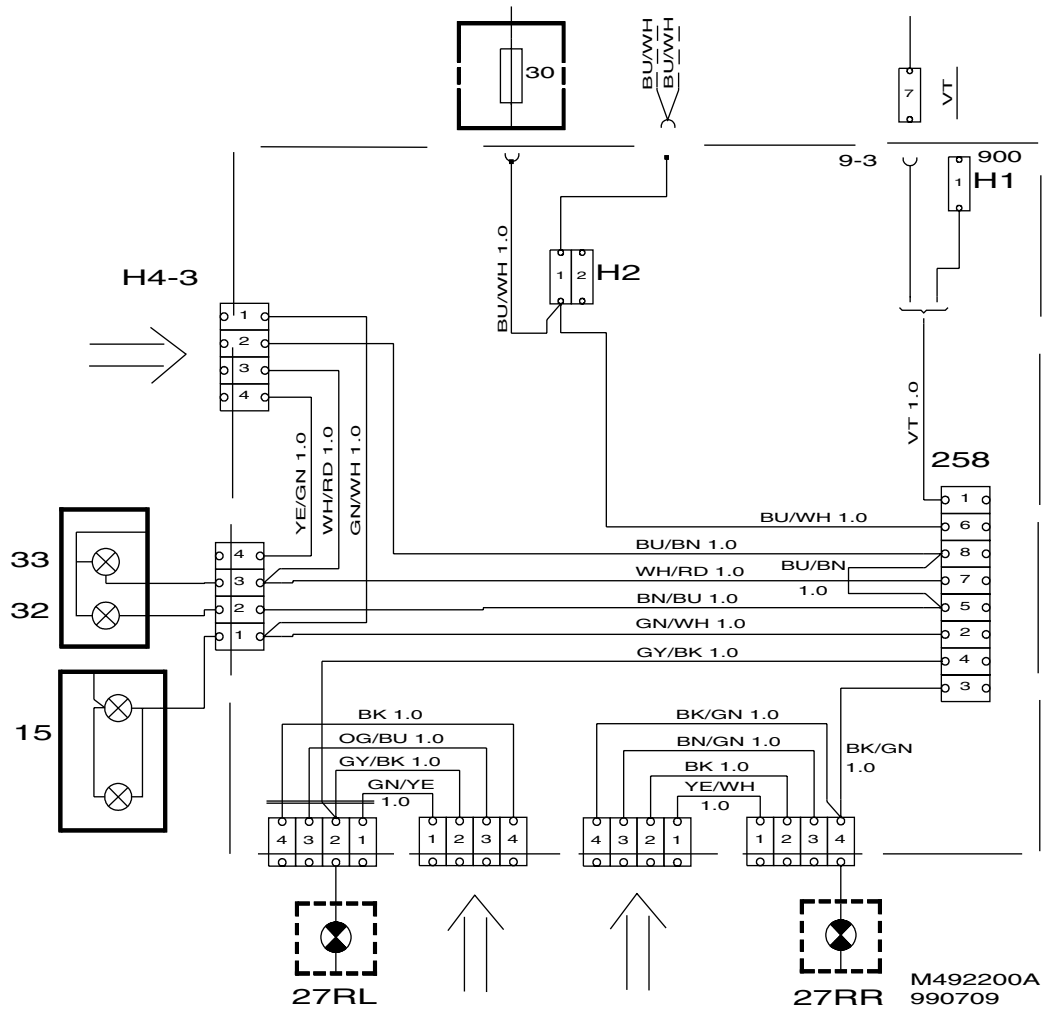
D930A371

- 35 Remove fuse 30 for the rear lights from the fuse holder on the side of the dashboard.
- 36 Remove the blue/white cable terminal.
- 37 Fit the blue/white cable from the kit.
- 38 Fit the removed blue/white cable pin in position 1 in the kit's 2-pin connector.
- 39 Attach the connectors together.
- 40 Refit the fuse.
- 41 Check the function.
- 42 Refit all removed parts.
- 43 Using the diode box as a template, drill a 3.5 mm diameter hole in the pressed recess in the plate under the rear light. Screw on the diode box.
- 44 Secure the cables in a suitable location with cable ties. The wiring harness with trailer connector must be pulled so that it is located between the scuff plate and the carpet at the cutting point by the rear light.
- 45 Check that the function is satisfactory and refit all removed parts. Make sure that the cables are not damaged by any screws.



D980A372

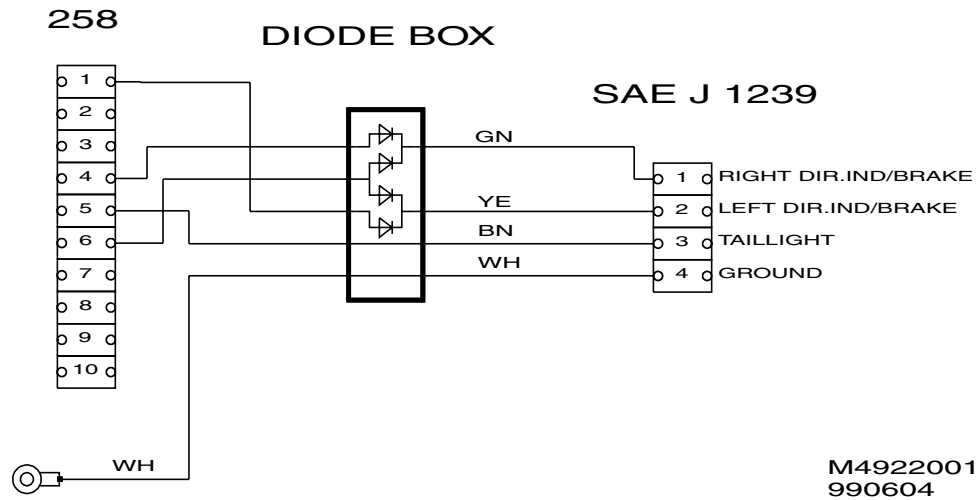
- 46 Fit the towball unit and the lower mounting plate.
- 47 Fit the scuff plate and the lashing eyes in the luggage compartment.
- 48 Put the spare wheel and foam block back into the spare wheel well.
- 49 Apply Teroson T102 Underseal or similar around the towbar mounting to the body.
- 50 Carefully remove the page dealing with fitting and removing the towball unit and give it to the customer together with the installation instructions.



Wiring diagram

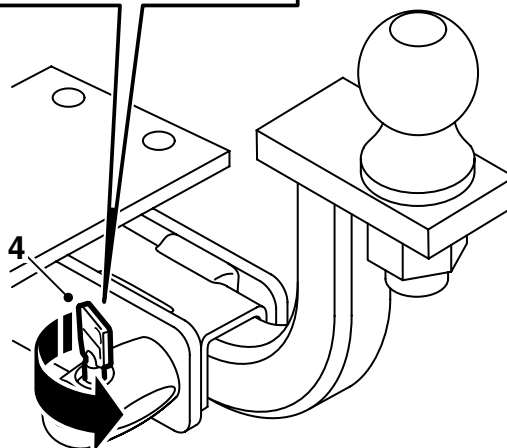
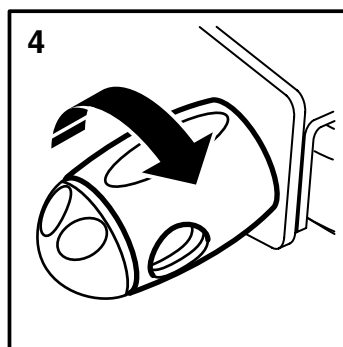
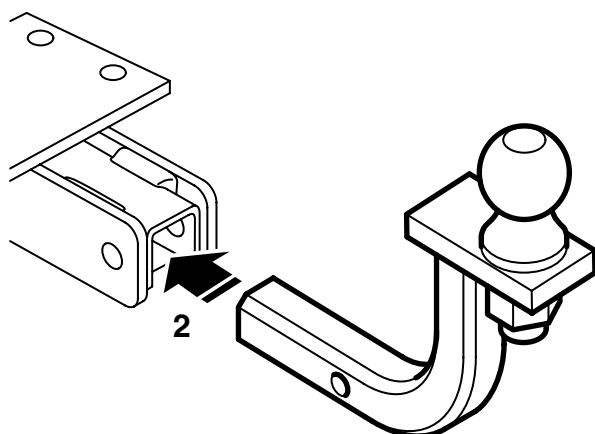
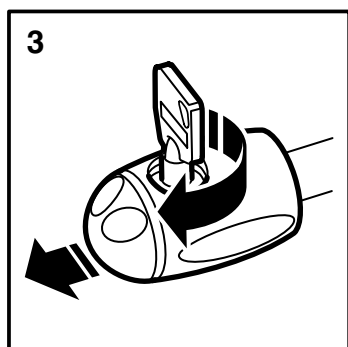
The installation kit is indicated on the inside of the dotted-line rectangle on the wiring diagram. The arrows show where the wiring harness connectors are fitted.

Pos. no.	Name
15	Number plate lighting
27RL	Flash Direction Indicator Left
27RR	Flash Direction Indicator Right
32	Reversing lights
33	Rear fog light
258	Towbar connector
H1	1-pin connector
H2	2-pin connector
H4-3	Black 4-pin connector behind left-hand wheel housing



Wiring diagram, wiring harness with diode box

Pin no.	English
1	Flash Direction Indicator Left
2	
3	
4	Flash Direction Indicator Right
5	Right-hand rear light
6	Brake Light
7	
8	
9	
10	



D980A373

User instructions

(keep in the car's Owners Manual)

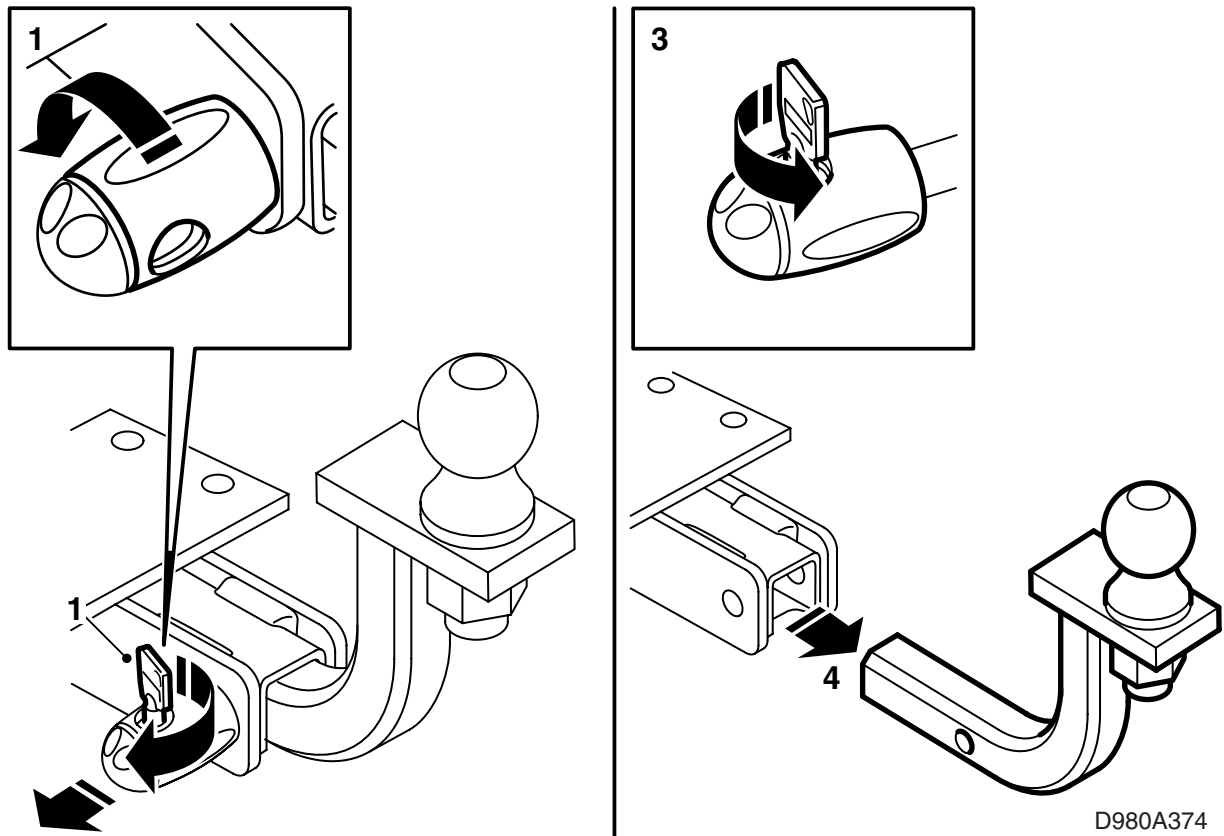
WARNING

To ensure that the towbar is coupled **correctly and safely**:

- The coupling mechanism must **always** be well lubricated. Contact your nearest Saab dealer regarding suitable grease.
- **Always** fit the protective cover when the towball unit is not attached.
- It must **always** be possible to detach and attach the towball unit without it jamming.

To attach the towball unit

- 1 Take the towball unit.
- 2 Fit the towball unit.
- 3 Insert the key into the lock cylinder, turn the key clockwise and remove the lock.
- 4 Fit the lock pin in the tow bracket hole and fit the lock on the lock pin. Turn the key anticlockwise to lock and then remove the key. Turn the lock sleeve to conceal and protect the lock.



To detach the towball unit

- 1 Turn the lock sleeve to access the lock. Insert the key, turn it clockwise and remove the lock.
- 2 Remove the lock pin.
- 3 Fit the lock on the lock pin, turn the key anti-clockwise and remove it.
- 4 Remove the towball unit.
- 5 Fit the protective cover.