



**MONTERINGSANVISNING · INSTALLATION INSTRUCTIONS
MONTAGEANLEITUNG · INSTRUCTIONS DE MONTAGE**

Saab 9-3 M03-

Brake pads, front wheel

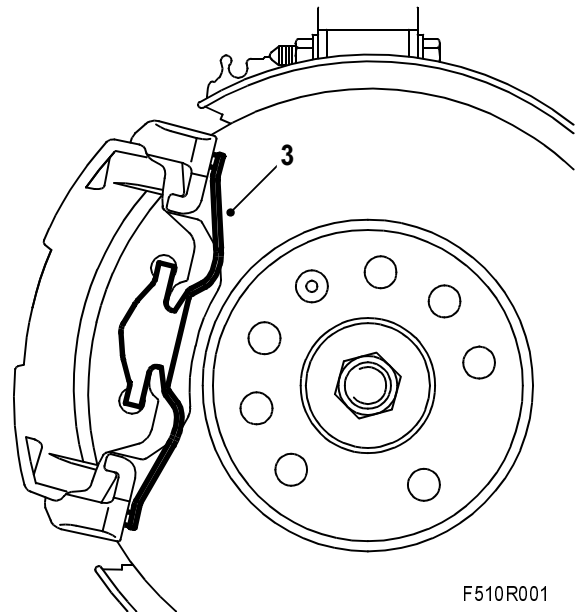
Accessories Part No.	Group	Date	Instruction Part No.	Replaces
12 800 120 12 802 167	5:17-03	Apr 03	12 799 241	12 799 241 Jul 02

Important

All front brake pads must be replaced at the same time.

Kit 12 800 120, To remove

- 1 Raise the car.
- 2 Remove the wheel.
- 3 Remove the clamp.



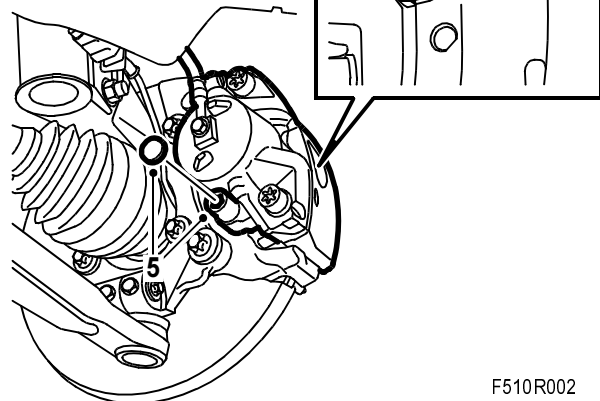
F510R001

- 4 Press in the piston using a screwdriver.
- 5 Remove the protective covers and slide pins.
Lift off the hydraulic body.

Note

Take care with the brake hoses.

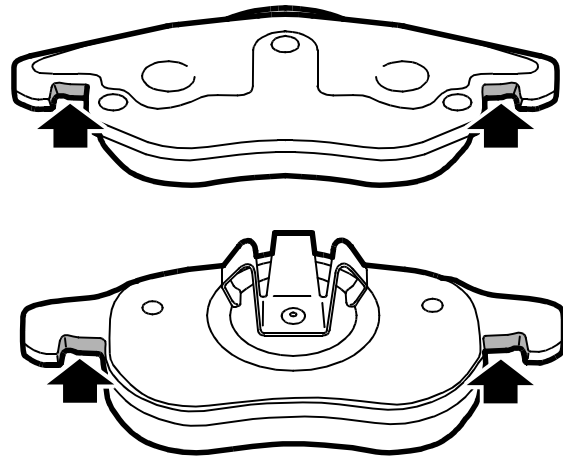
- 6 Remove the inner brake pad from the caliper and the outer brake pad from the bracket.
Clean the inside of the brake caliper and check the dust covers.



F510R002

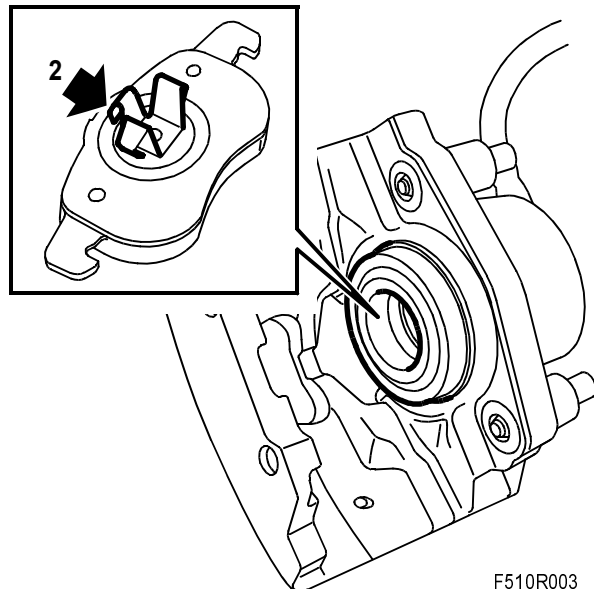
Kit 12 800 120, To fit

- 1 Apply 89 96 993 Special grease paste to the sliding areas.



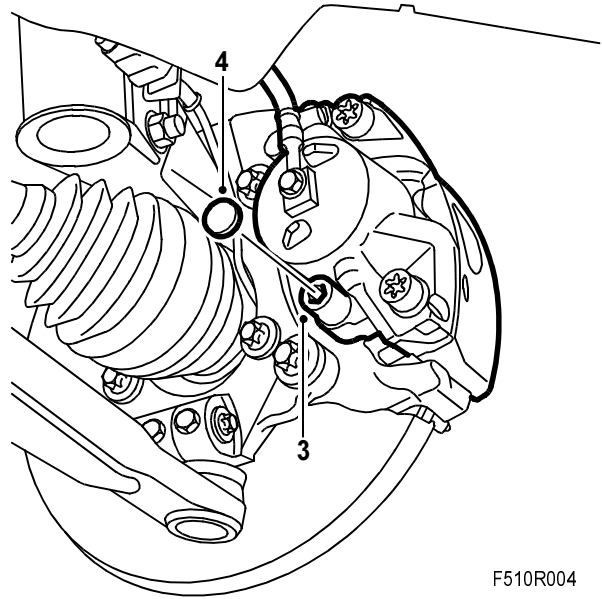
F510R055

- 2 Place the outer brake pad into the carrier.
Fit the inner brake pad into the hydraulic body.



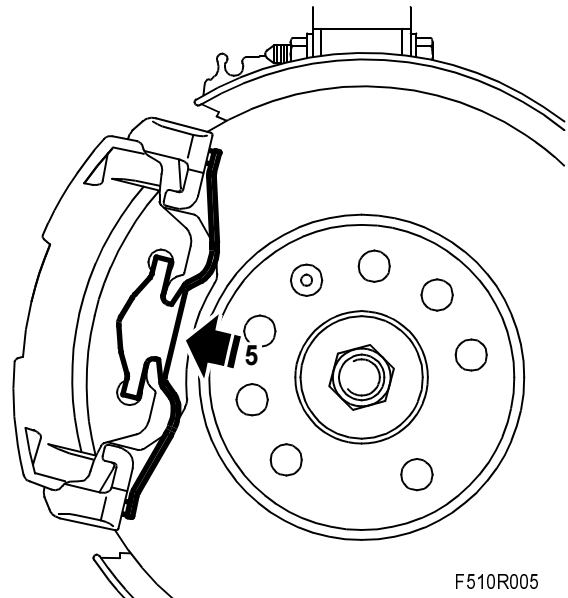
F510R003

- 3 Place the hydraulic body into the carrier.
Fit the slide pins.
Tightening torque 28 Nm (21 lbf ft)
- 4 Fit the protective covers.



F510R004

- 5 Fit the clamp. Position the outer contact points against the bracket and press the middle of the clamp.
- 6 Clean the contact surface between the rim and the brake disc from dirt and rust.

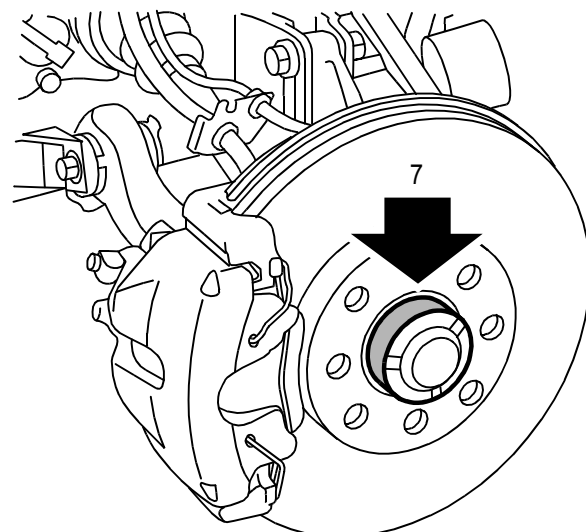


F510R005

- 7 Apply 30 06 442 White high-pressure grease paste to the hub.

Important

Make sure there is no grease on the contact surface between the rim and the brake disc.



E771B606

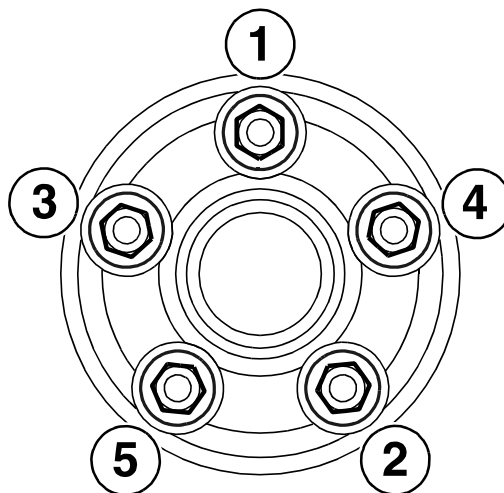
- 8 Put the wheel into position.
Fit the bolts and tighten them alternately by hand to centre the wheel.
- 9 Tighten the bolts twice alternately.

Important

The wheel must be suspended freely when tightening the wheel bolts.

Tightening torque 110 Nm (81 lbf ft)

- 10 Lower the car.
- 11 Press the brake pedal a few times to press out the brake pistons.
- 12 Check the brake fluid level and top up as necessary.
- 13 Check the operation of the foot brake.



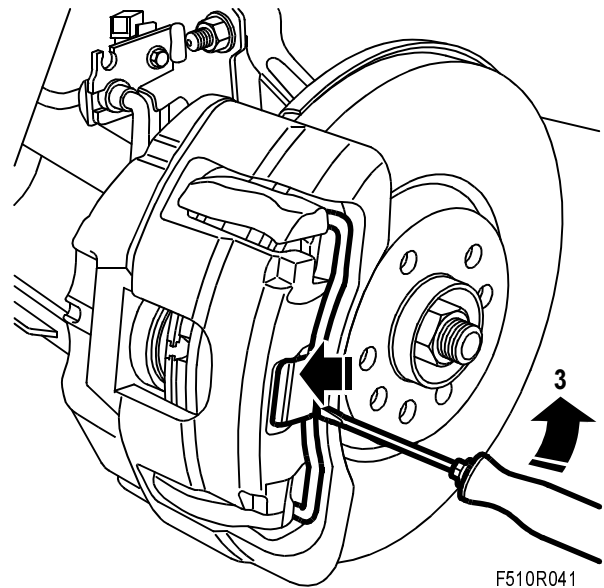
E771R602

Kit 12 802 167, To remove

- 1 Raise the car.
- 2 Remove the wheel.
- 3 Remove the retaining spring from the brake caliper by prising with a screw driver while pressing the flat part of the spring.

⚠ WARNING

Hold the retaining spring plate when removing the spring so that it can be loosened slowly. The spring can otherwise fly off with great force.

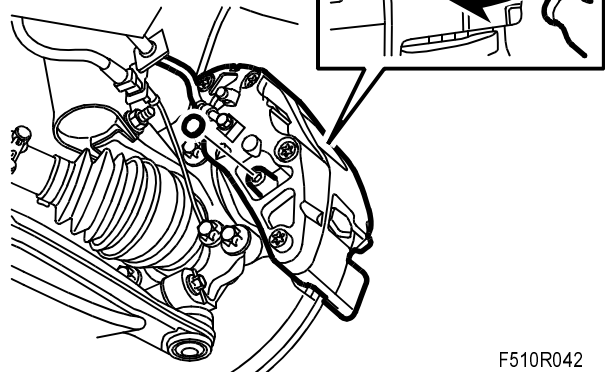


- 4 Press in the piston by prising with a screwdriver against the brake pad.
- 5 Remove the protective covers and guide pins. Lift off the hydraulic body.

Note

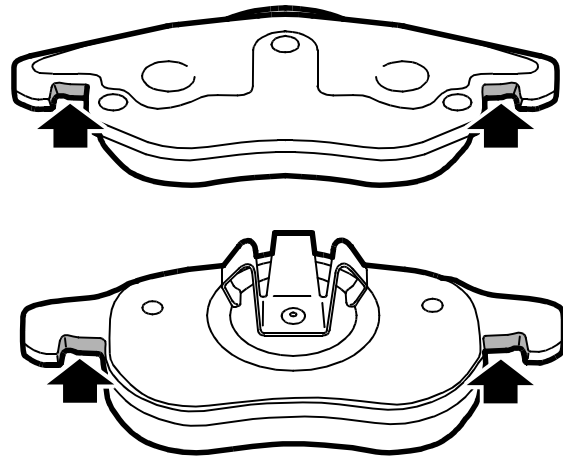
Be careful when handling the brake hose.

- 6 Remove the brake pads from the hydraulic body. Clean the inside of the hydraulic body and check the dust covers.



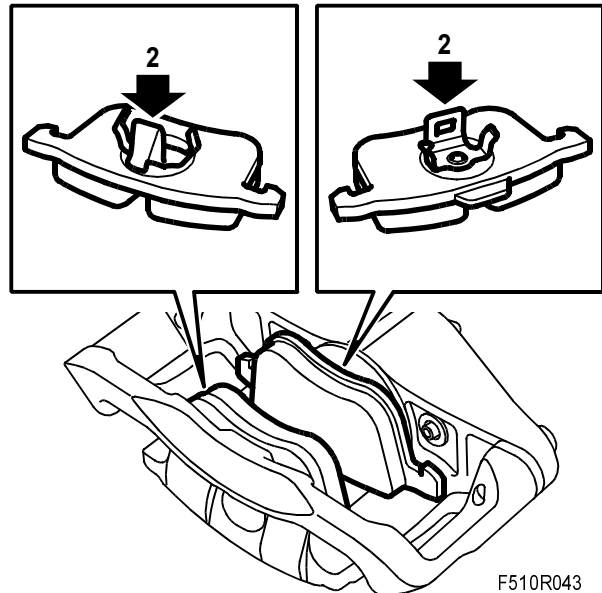
Kit 12 802 167, To fit

- 1 Apply 89 96 993 Special grease paste to the sliding areas.



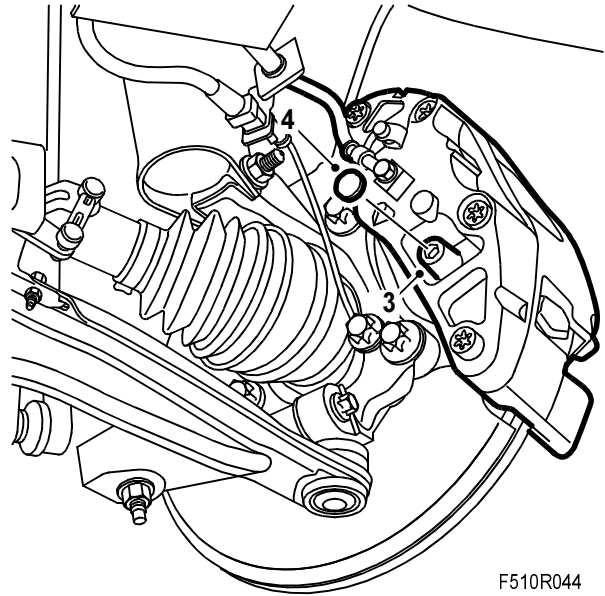
F510R055

- 2 Fit the brake pads into the hydraulic body



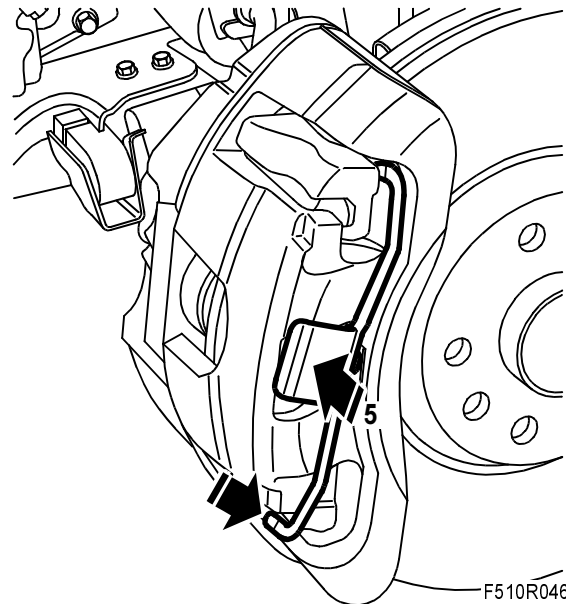
F510R043

- 3 Place the hydraulic body into the carrier.
Fit the guide pins.
Tightening torque 28 Nm (21 lbf ft)
- 4 Fit the protective covers.



F510R044

- 5 Fit the retaining spring to the brake caliper. Position the upper edge and centre of the spring. Then press home the lower end of the spring. Make sure the lug engages.
- 6 Clean the contact surface between the rim and the brake disc from dirt and rust.

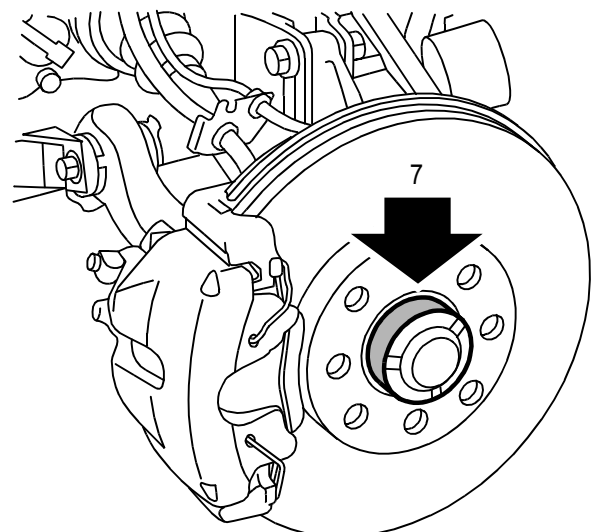


F510R046

- 7 Apply 30 06 442 White high-pressure grease paste to the hub.

Important

Make sure there is no grease on the contact surface between the rim and the brake disc.



E771B606

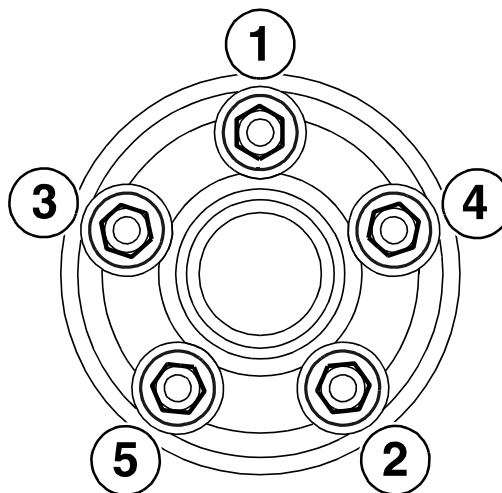
- 8 Put the wheel into position.
Fit the bolts and tighten them alternately by hand to centre the wheel.
- 9 Tighten the bolts twice alternately.

Important

The wheel must be suspended freely when tightening the wheel bolts.

Tightening torque 110 Nm (81 lbf ft)

- 10 Lower the car.
- 11 Press the brake pedal a few times to press out the brake pistons.
- 12 Check the brake fluid level and top up as necessary.
- 13 Check the operation of the foot brake.



E771R602