

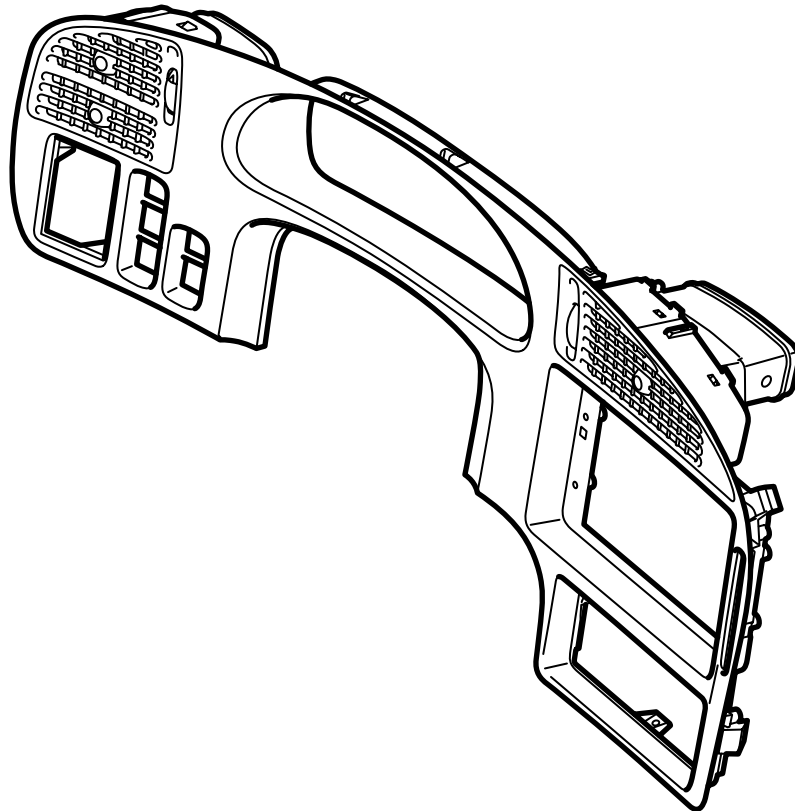


**MONTERINGSANVISNING · INSTALLATION INSTRUCTIONS
MONTAGEANLEITUNG · INSTRUCTIONS DE MONTAGE**

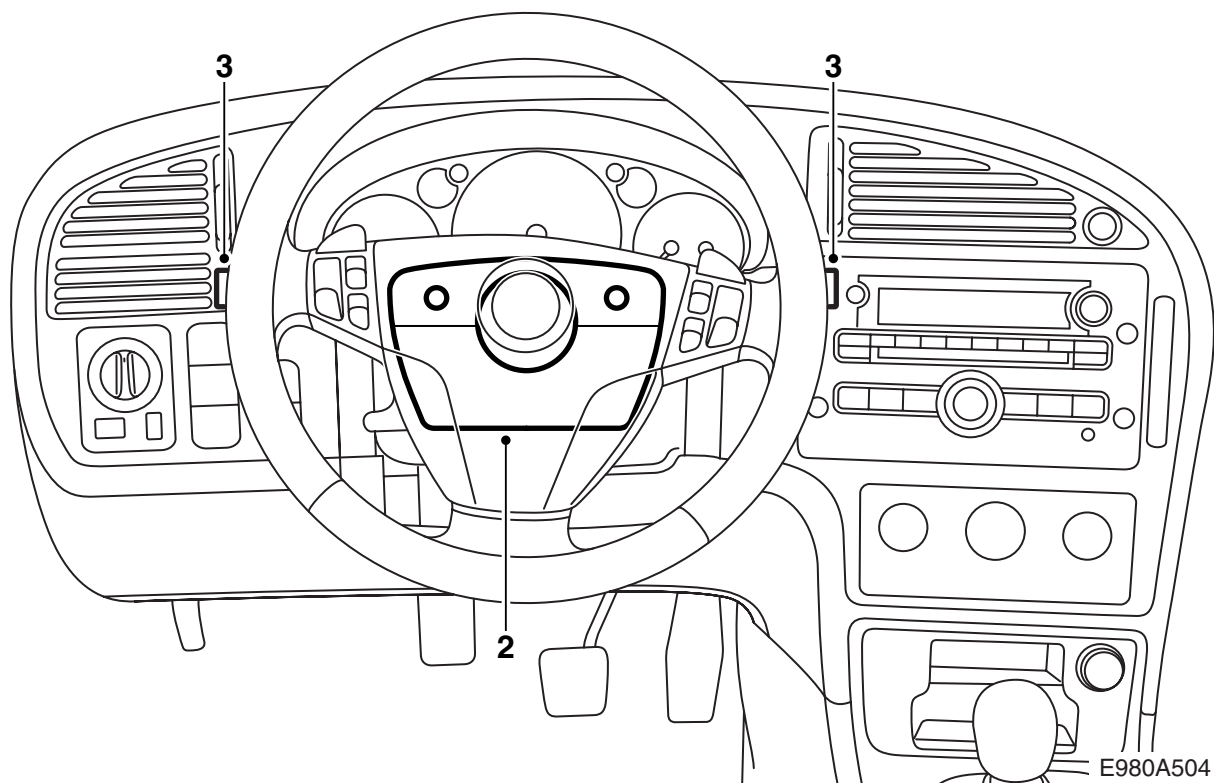
Saab 9-5 M06-

Instrument plate

Accessories Part No.	Group	Date	Instruction Part No.	Replaces
12 756 440 12 756 446	9:85-28	Apr 05	32 025 503	

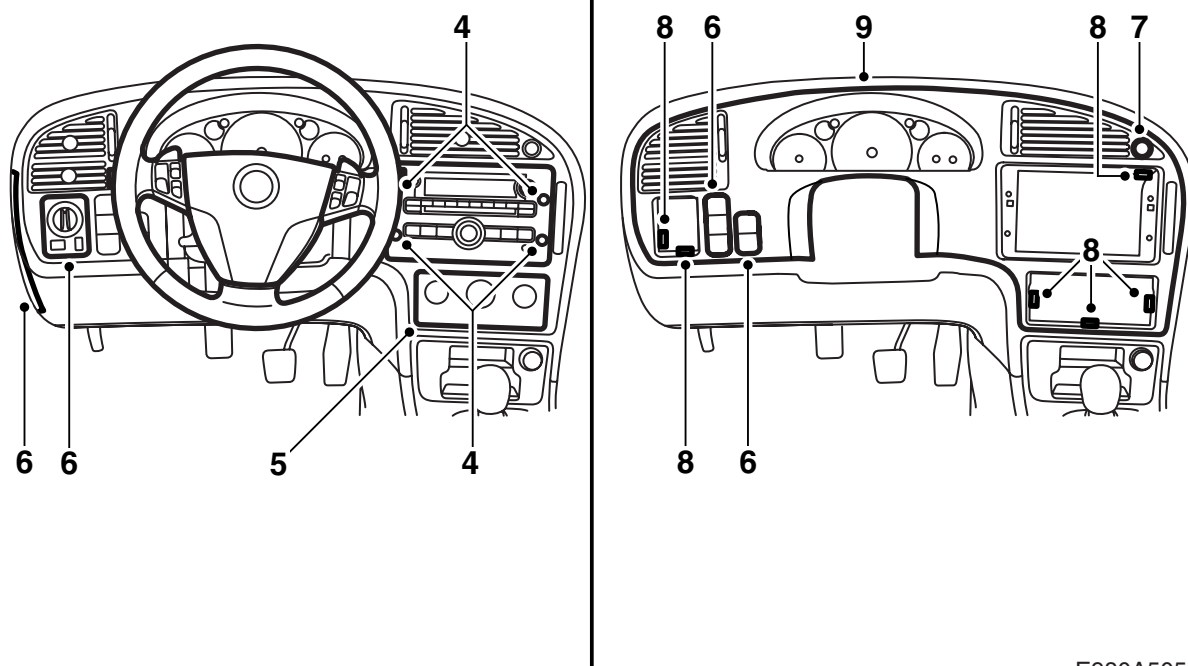


E980A503



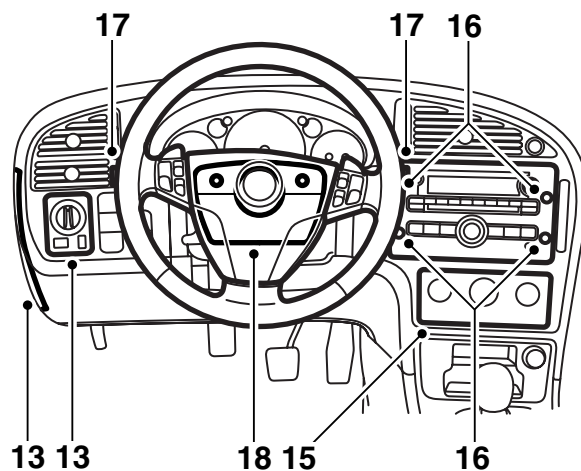
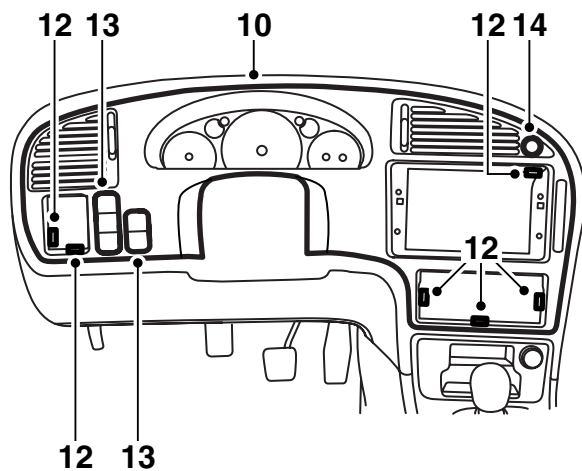
E980A504

- 1 Pull the steering wheel out and down and lock it.
- 2 Remove the upper and lower steering column cowls, three screws.
- 3 Detach the direction indicator and windscreen wiper stalk switch.



E980A505

- 4 Remove the covers and audio unit, four screws.
- 5 Remove the heating and ventilation panel and detach the connector.
- 6 Remove the cover over the fuse holder on the side of the panel. Detach the light switch and other switches as well as the connectors.
- 7 Detach the switch for the hazard warning lights and the connector.
- 8 Remove the instrument plate, secured with six screws and four clips.
- 9 Lift away the instrument plate.



E980A506

- 10 Remove the cup holder from the back of the original instrument plate (two screws) and fit it to the back of the new one. Lift the instrument plate into place.

Important

Take care when fitting.

- 11 From the driver's side, check that the air ducts are correctly positioned.

Note

Make sure that no connectors or cables are trapped or pinched.

- 12 Fit the instrument plate, secured with six screws and four clips.
- 13 Connect and fit the light switch and the other switches.
Refit the cover over the fuse holder on the side of the panel.
- 14 Fit the switch for the hazard warning lights and plug in the connector from behind.

Note

A mark on the hazard flasher switch shows which side is up.

- 15 Connect and fit the heating and ventilation panel.

- 16 Fit the audio unit and the covers.
- 17 Refit the direction indicator and windscreen wiper stalk switch.
- 18 Fit the upper and lower steering column cowls.