

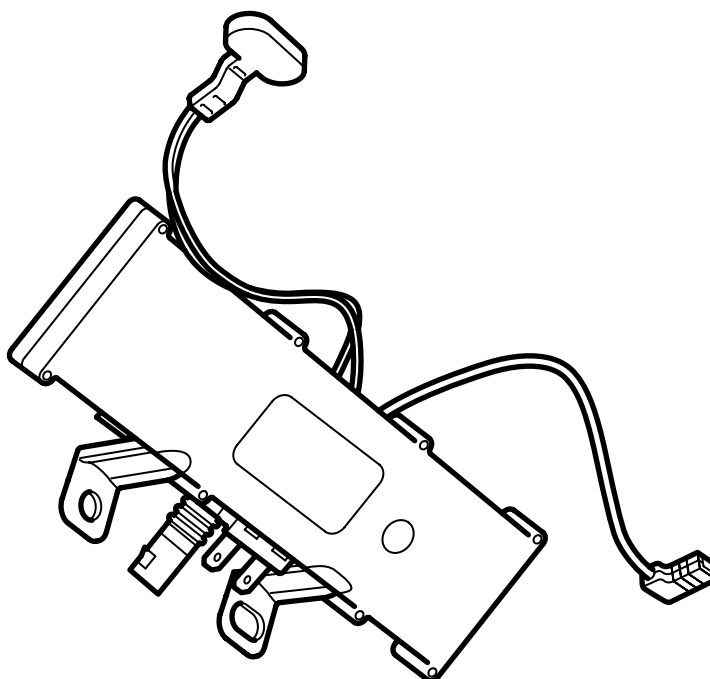


**MONTERINGSANVISNING · INSTALLATION INSTRUCTIONS
MONTAGEANLEITUNG · INSTRUCTIONS DE MONTAGE**

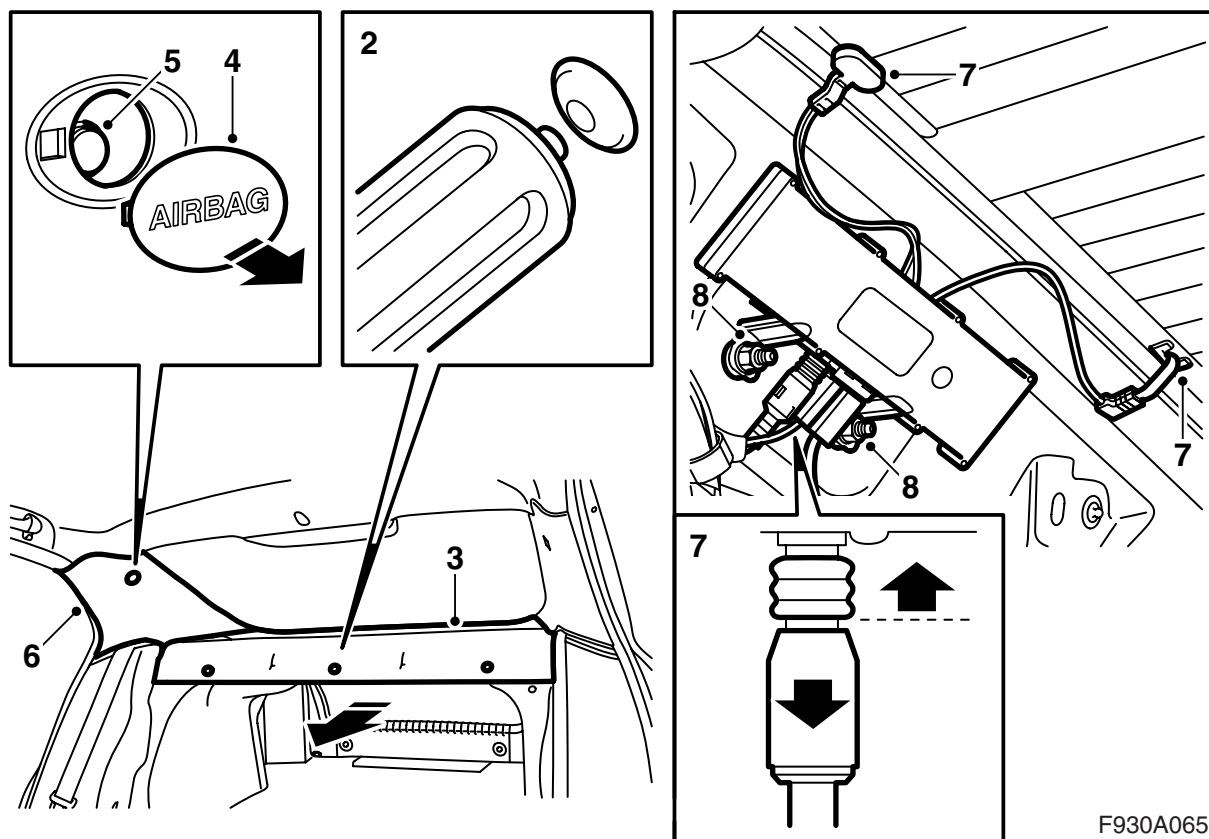
Saab 9-3 M03-

Antenna, diversity

Accessories Part No.	Group	Date	Instruction Part No.	Replaces
12 787 884	9:36-20	Sep 02	12 788 453	



F930A064

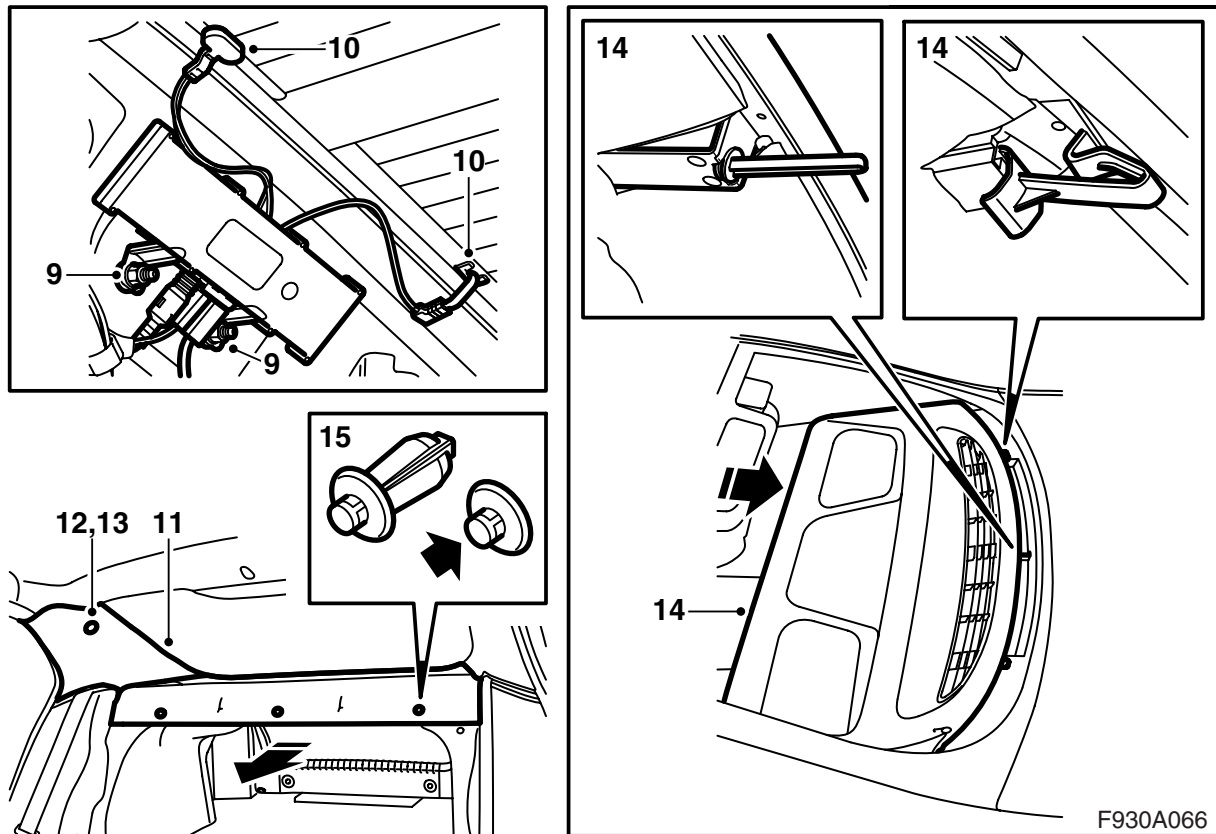


- 1 Lower the rear seat backrest.
- 2 Detach the clips holding the parcel shelf trim.
- 3 Pull the parcel shelf trim straight out.
- 4 Remove the cover washer from the C-pillar trim.
Use removing tool 82 93 474.
- 5 Loosen the screw from the C-pillar trim.

Important

Do not unscrew the screw completely as there is an expander in the screw that could otherwise be lost.

- 6 Remove the C-pillar trim by carefully pulling it straight out together with the screw.
- 7 Unplug the connectors to the amplifier and the rear window.
- 8 Remove the amplifier screws.



- 9 Fit the new antenna amplifier.
- 10 Plug in the connectors to the amplifier and the rear window.
- 11 Position the C-pillar trim. Make sure that the screw with expander is in the correct position.

⚠ WARNING

Be careful not to damage the inflatable curtain.

- 12 Tighten the screw.
Tightening torque 2 Nm (1 lbf ft)
- 13 Fit the cover washer to the C-pillar trim.
- 14 Slide in the parcel shelf trim.

Important

Make sure the guides go into the parcel shelf plate mountings correctly.

- 15 Fit the clips to the parcel shelf trim.
- 16 Raise the rear seat backrest. Check that the backrest is locked in position.