



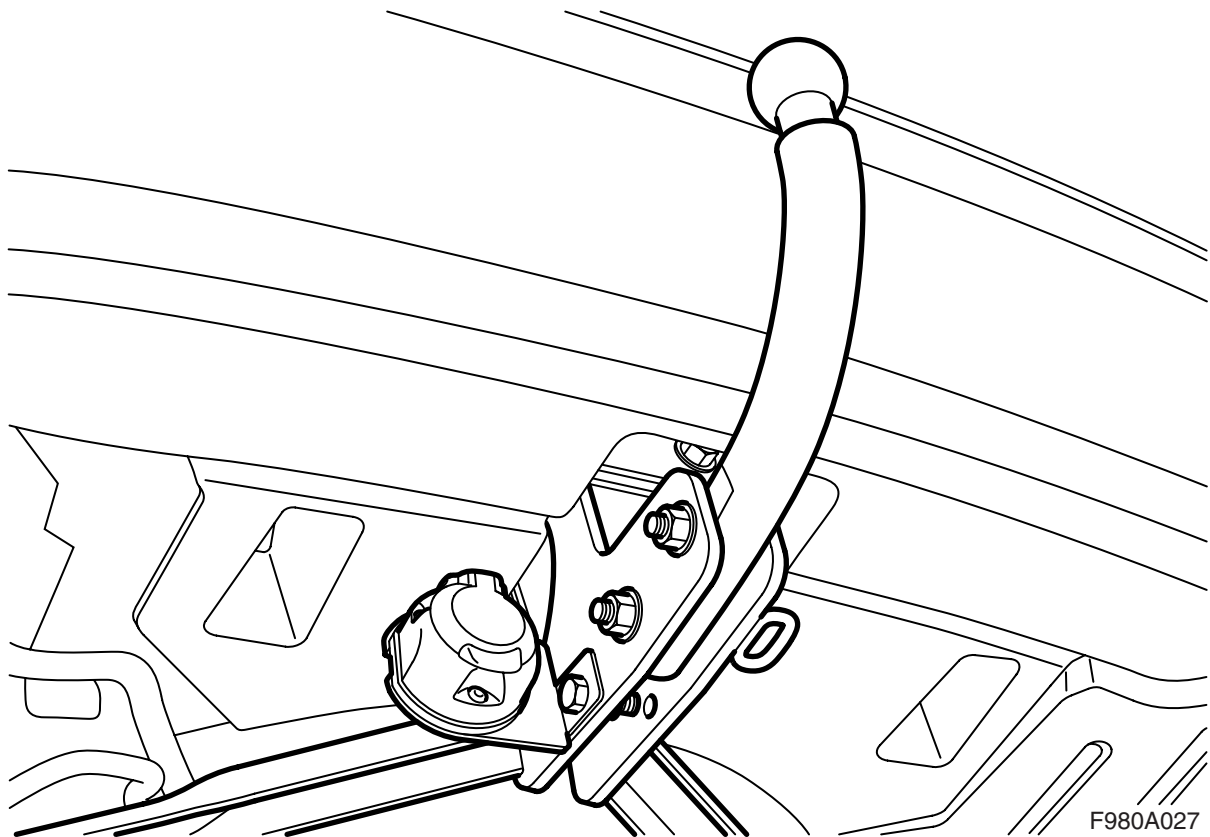
**MONTERINGSANVISNING · INSTALLATION INSTRUCTIONS  
MONTAGEANLEITUNG · INSTRUCTIONS DE MONTAGE**

**Saab 9-3 5D M06-**

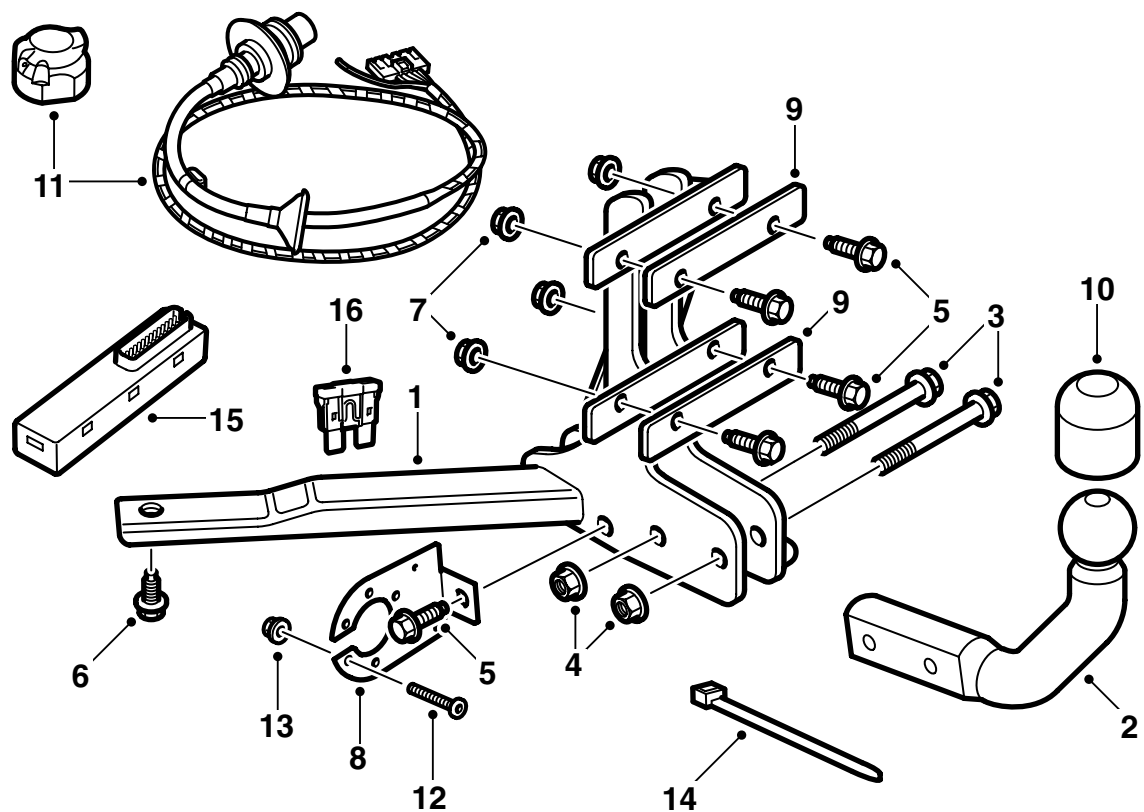
(EC 94/20, E4 00 2526)

Towbar, fixed

| Accessories Part No.     | Group   | Date   | Instruction Part No. | Replaces |
|--------------------------|---------|--------|----------------------|----------|
| 12 795 098<br>32 026 052 | 9:86-05 | Oct 07 | 12 798 868           | Jun 07   |



F980A027



F980A381

- 1 Body bracket
- 2 Ball unit
- 3 Bolt (x2)
- 4 Nut (x2)
- 5 Bolt (x5)
- 6 Bolt (x2)
- 7 Nut (x5)
- 8 Socket holder plate
- 9 Reinforcement plate (x2)
- 10 Ball guard
- 11 Wiring harness (13-pin)
- 12 Bolt (x3)
- 13 Nut (x3)
- 14 Cable tie (x4)
- 15 Electronic module
- 16 Fuse

**Note**

Always check national legislation and regulations regarding mounting a towing bracket. Ensure that all requirements are complied with.

The towing bracket fulfils the requirements of 94/20/EEC.

**Maximum permitted trailer weight:**

Braked trailer: 1600 kg (3500 lbs.)

Trailer without brakes: 50% of the towing vehicle's weight (vehicle in running order), but no more than 750 kg (1650 lbs).

**Max. permissible towball pressure:** 75 kg

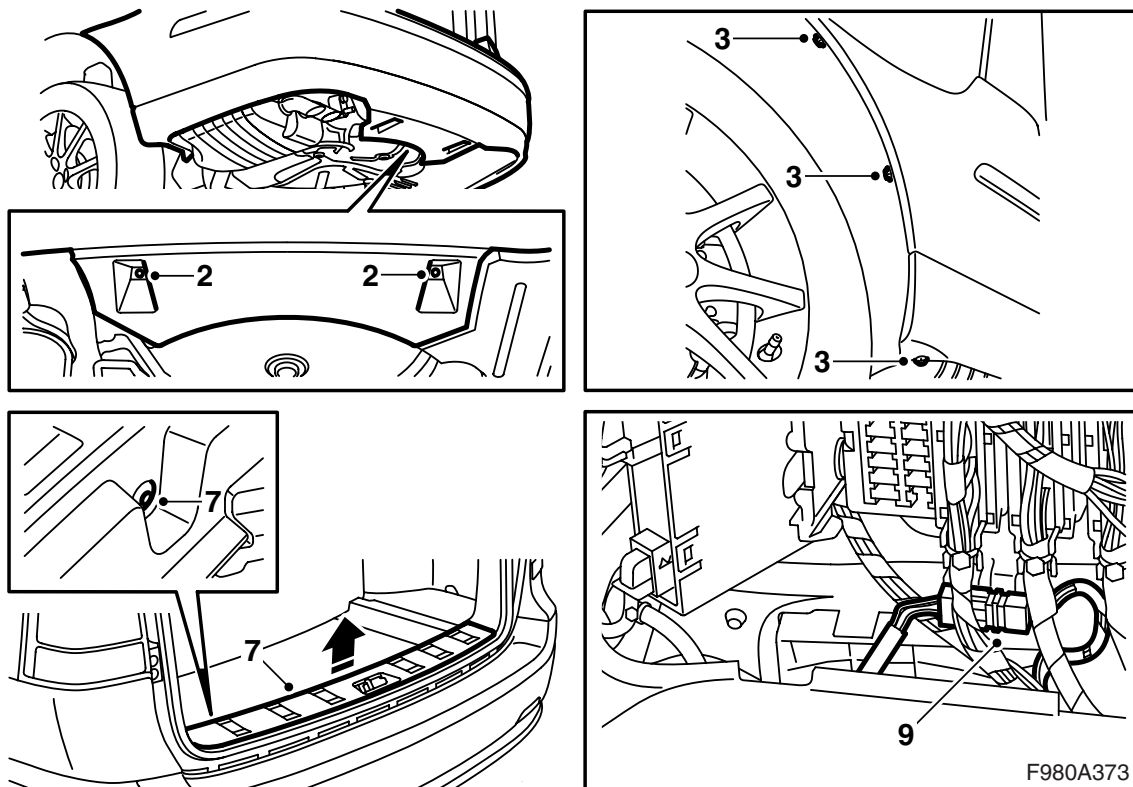
**Maximum D-value:** 9.0 kN

---

**Important**

The car must be inspected after the towing bracket is mounted. Show these instructions at the inspection.

---

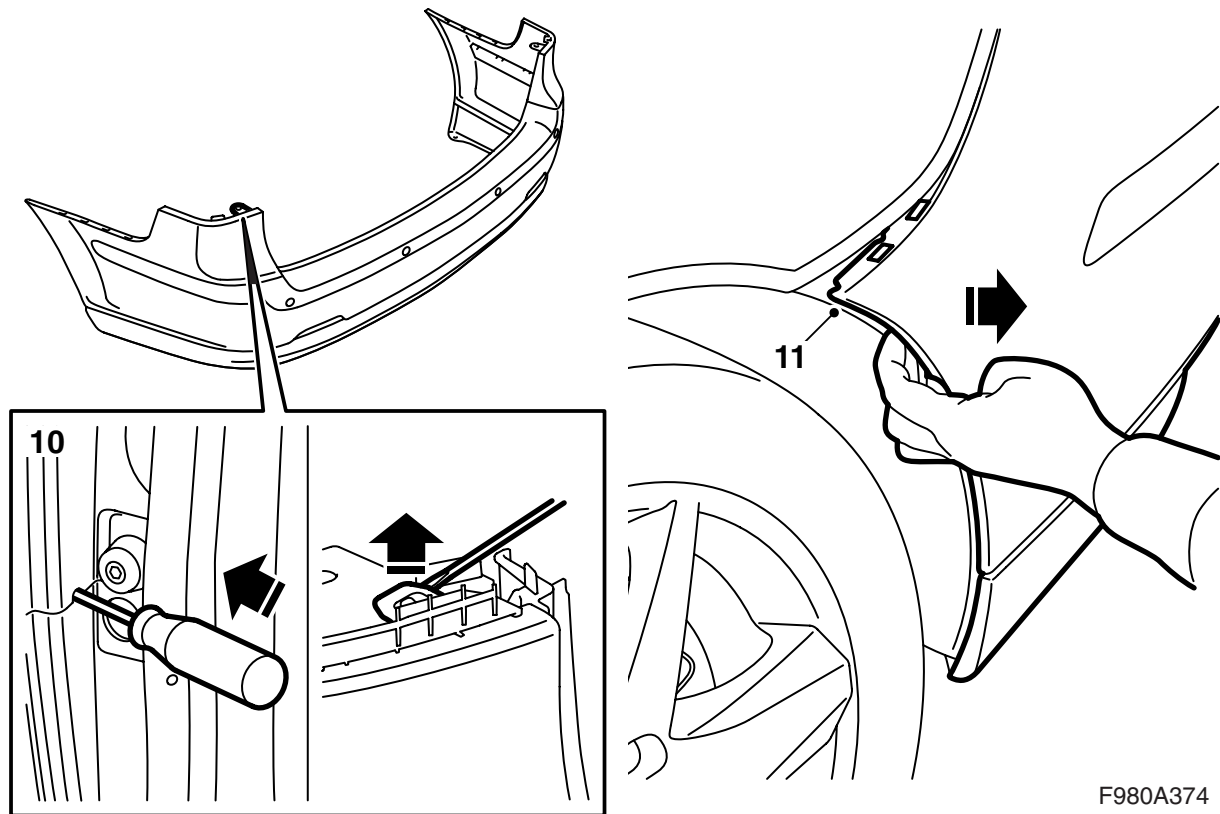


- 1 Raise the car.
- 2 Remove the spoiler's centre nuts.
- 3 Remove the screws to the wheel housing.
- 4 Lower the car and open the boot lid.
- 5 Fold up the floor.
- 6 **M06-07 with subwoofer:** Unscrew the screws holding the subwoofer, lift it up and secure it.
- 7 Remove the luggage compartment scuff plate.

### Important

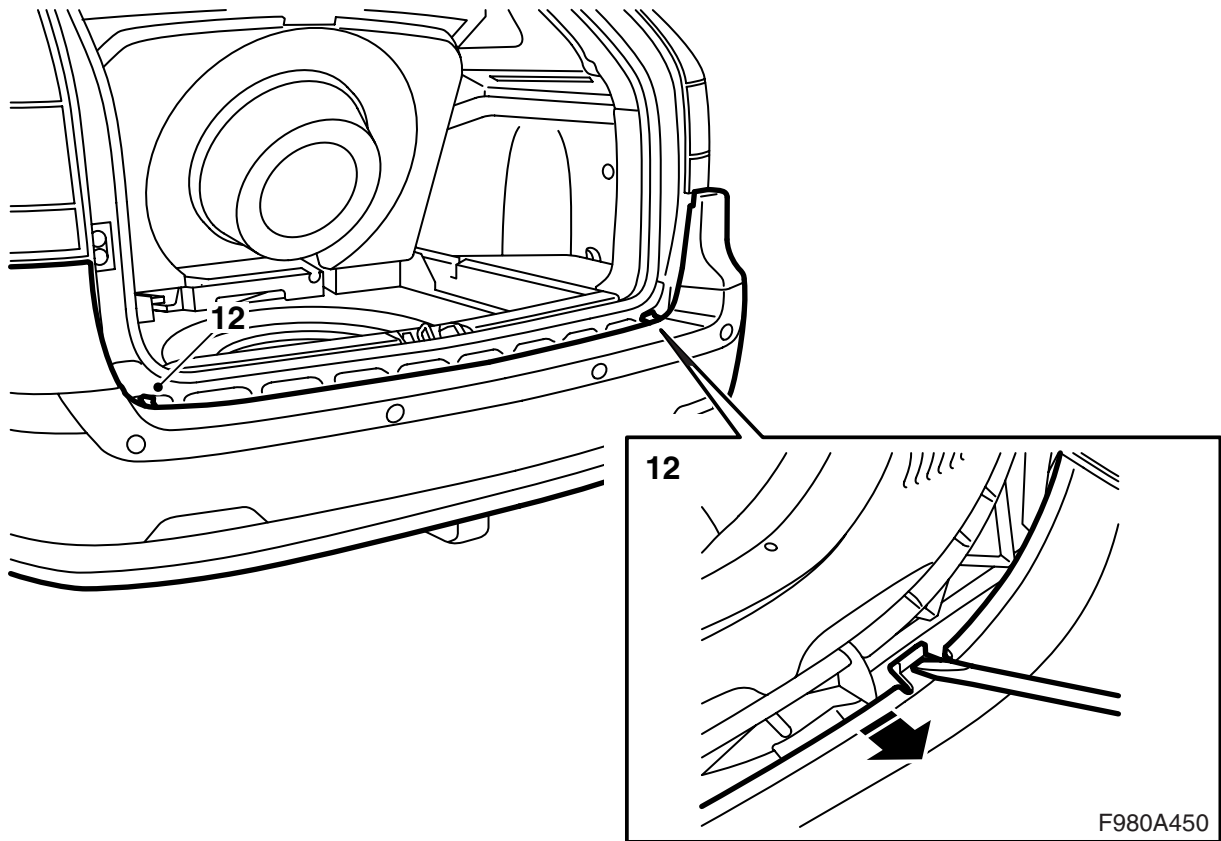
The scuff plate is fitted with two clips.

- 8 Remove the panel in the left-hand luggage compartment side trim.
- 9 **Cars with SPA:** Detach the connector.

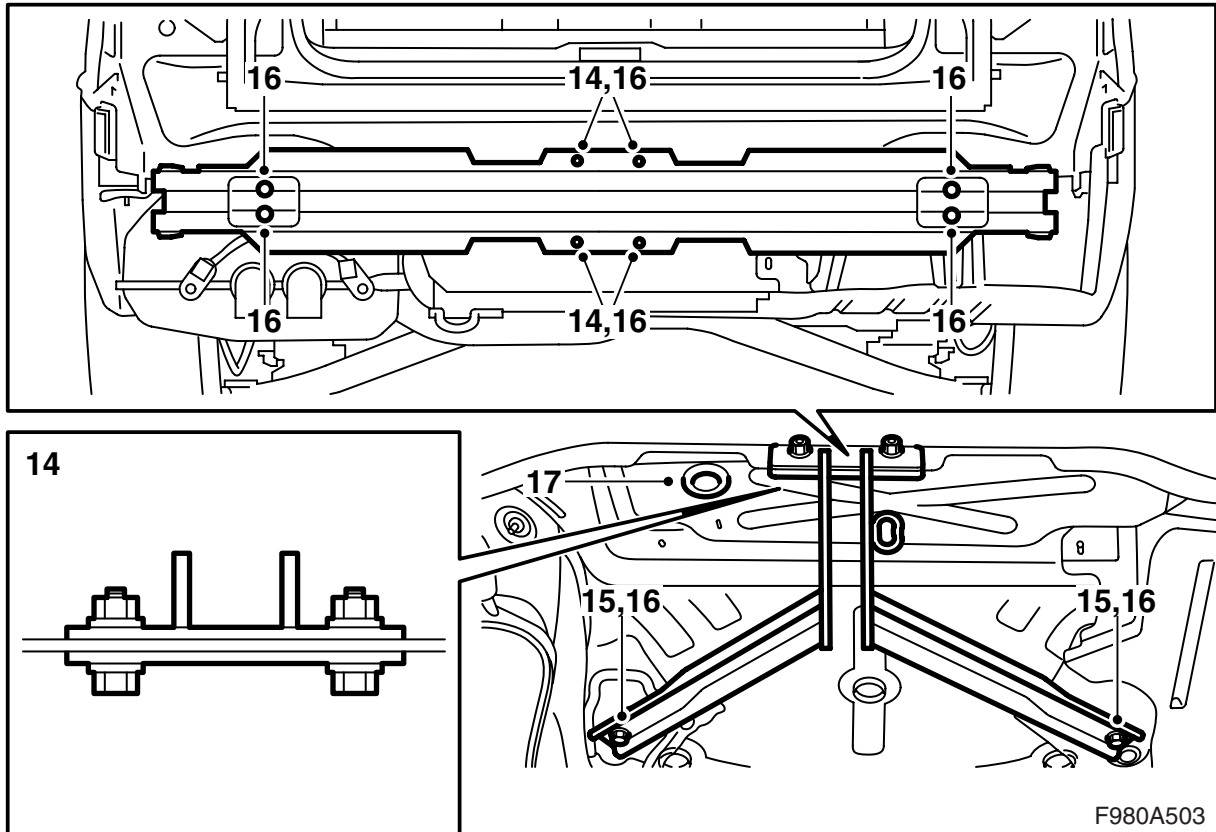


F980A374

- 10 Insert a screwdriver in the hole to reach under the catch. Bend carefully using the screwdriver to release the catch.
- 11 Pull the bumper shell away from the holders.



- 12 Release the catches using a screwdriver.  
Detach the shell from the moulding.
- 13 Lift off the bumper shell.  
**Cars with SPA:** Pull out the wiring harness.



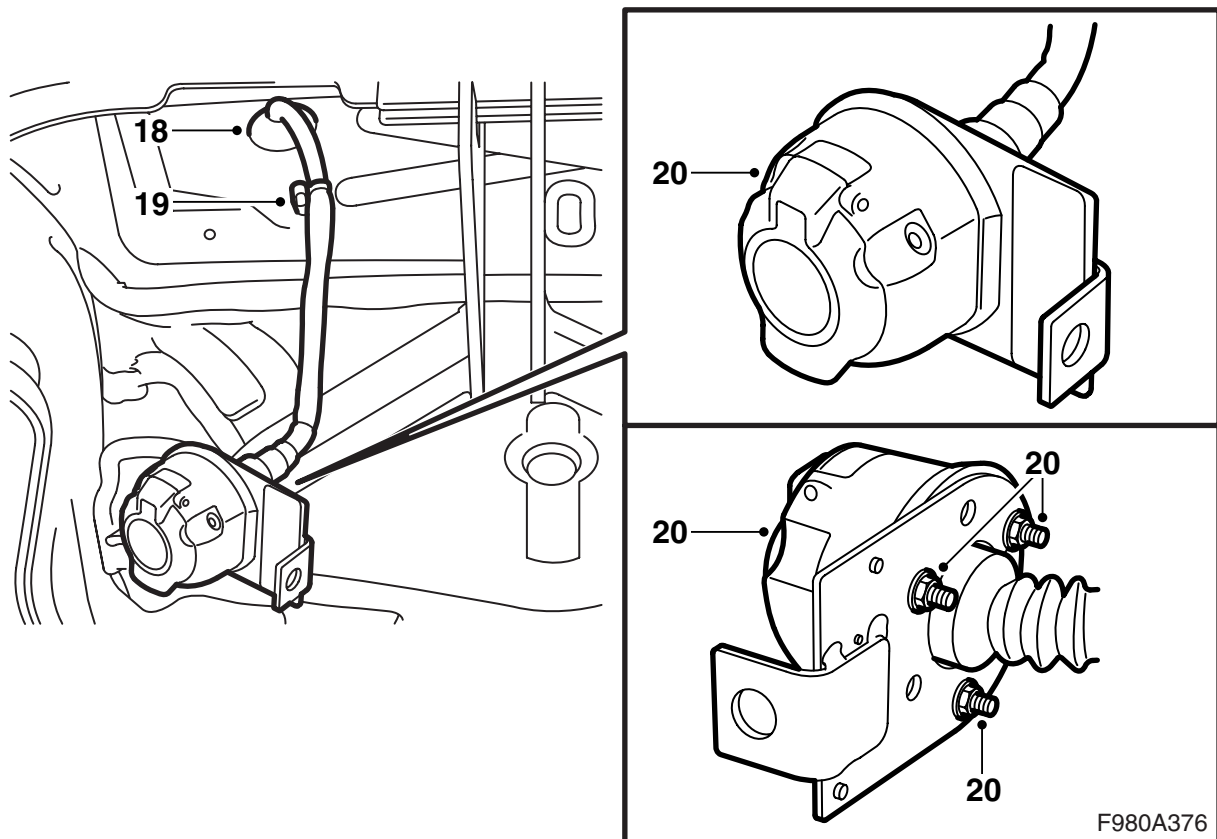
- 14 Secure the towbar with bolts and nuts together with the reinforcements in the four holes which are in the bumper member and raise the car.
- 15 Fasten the towing bracket in the floor under the spare wheel well.
- 16 Tighten the bumper member mountings to the body as well as the screws, bolts and nuts holding the towing bracket to the bumper member and floor.

**Tightening torque, bumper member to body  
50 Nm (37 lbf ft)**

**Tightening torque, towing bracket to bumper  
member 50 Nm (37 lbf ft)**

**Tightening torque, towing bracket to floor  
50 Nm (37 lbf ft)**

- 17 Remove the rubber grommet.



- 18 Insert the wiring harness through the hole in the body.
- 19 Fasten the wiring harness to the right-hand weld screw on the left-hand side of the towing bracket.
- 20 Fit the 13-pin connector on the socket holder plate. The cover should open upward.

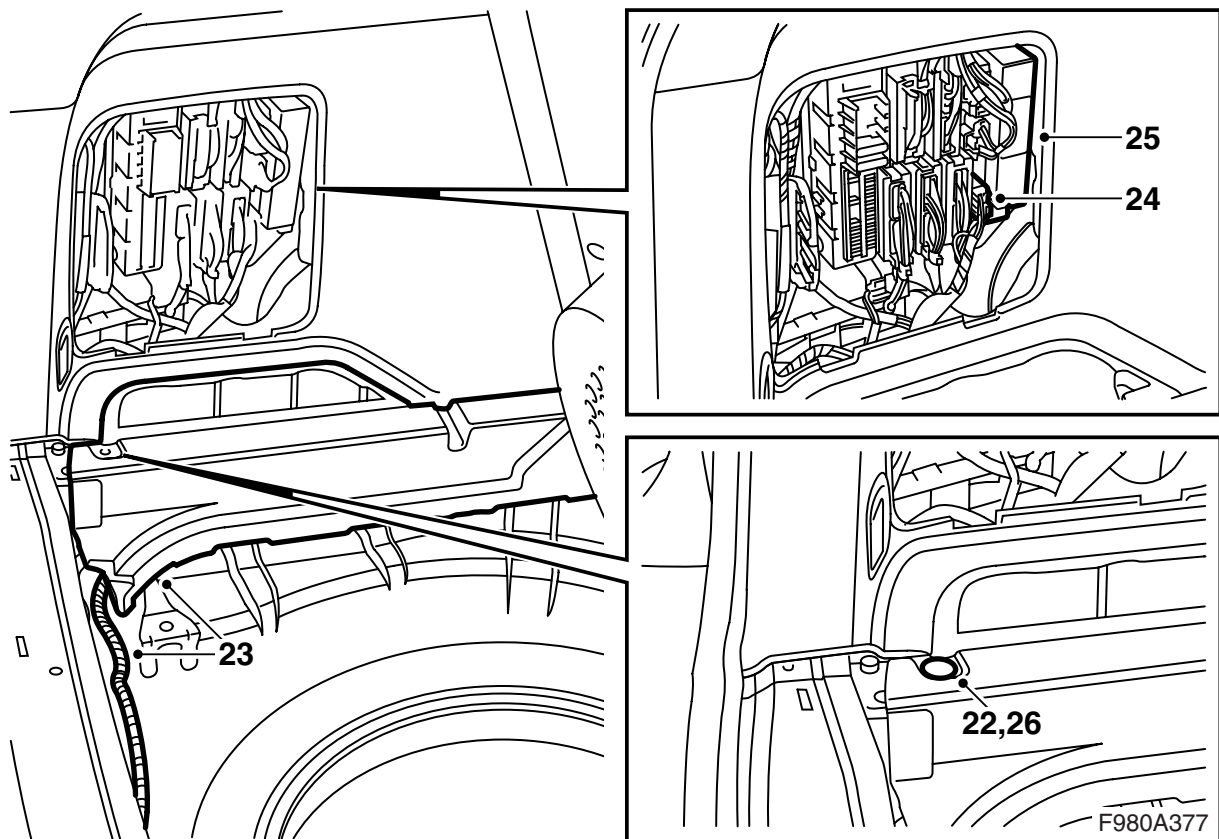
---

**Important**

The seal between the connector and the socket holder plate must be correctly mounted and should not be folded in anywhere.

---





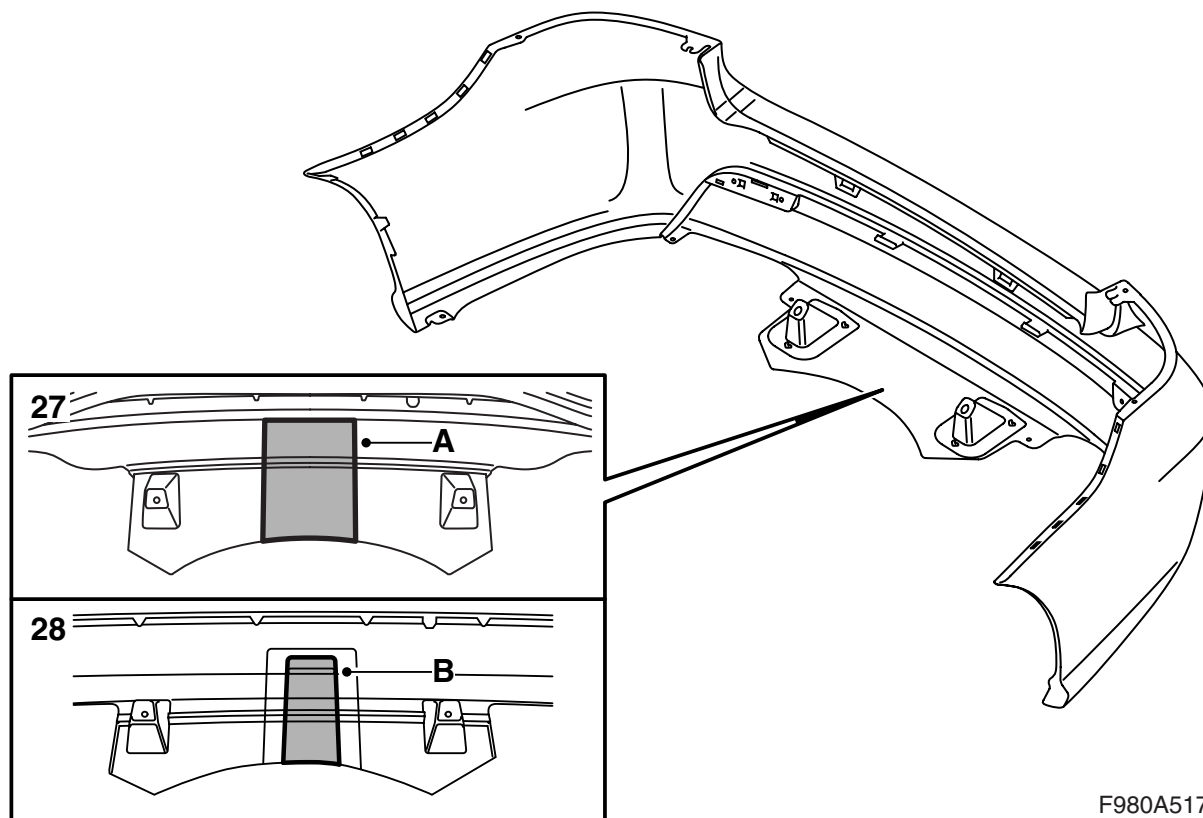
- 21 Lower the car.
- 22 Remove the clip holding the foam plastic block on the left-hand side.
- 23 Carefully lift up the foam plastic block and guide the wiring harness underneath it.
- 24 Plug the wiring harness connector into the REC and secure the wiring harness with four cable ties.

---

### Important

The blue/white (BU/WH) cable which is not connected in the connector must not be used, but must be secured together with the wiring harness in the nearest cable tie.

- 25 Fit the kit's electronic module in the REC and fit the fuse in position 8 in the REC.
- 26 Fit the clip for the foam plastic block.



F980A517

**27 M06-07, cars without a bumper skirt**

Cut/saw from the inside of the bumper within the reinforcement ribs as per the marking (A).

**⚠ WARNING**

Use of a saw and knife entails a risk of injury. Exercise caution when cutting. Check that the bumper shell is stably positioned before beginning to cut. Use personal protection equipment, such as protective gloves, safety goggles and hearing protection.

**Note**

Adapt the cut-out to the towbar after installation if necessary. Check that there is a small amount of play between the towbar and bumper.

**28 M06-07, cars with a bumper skirt**

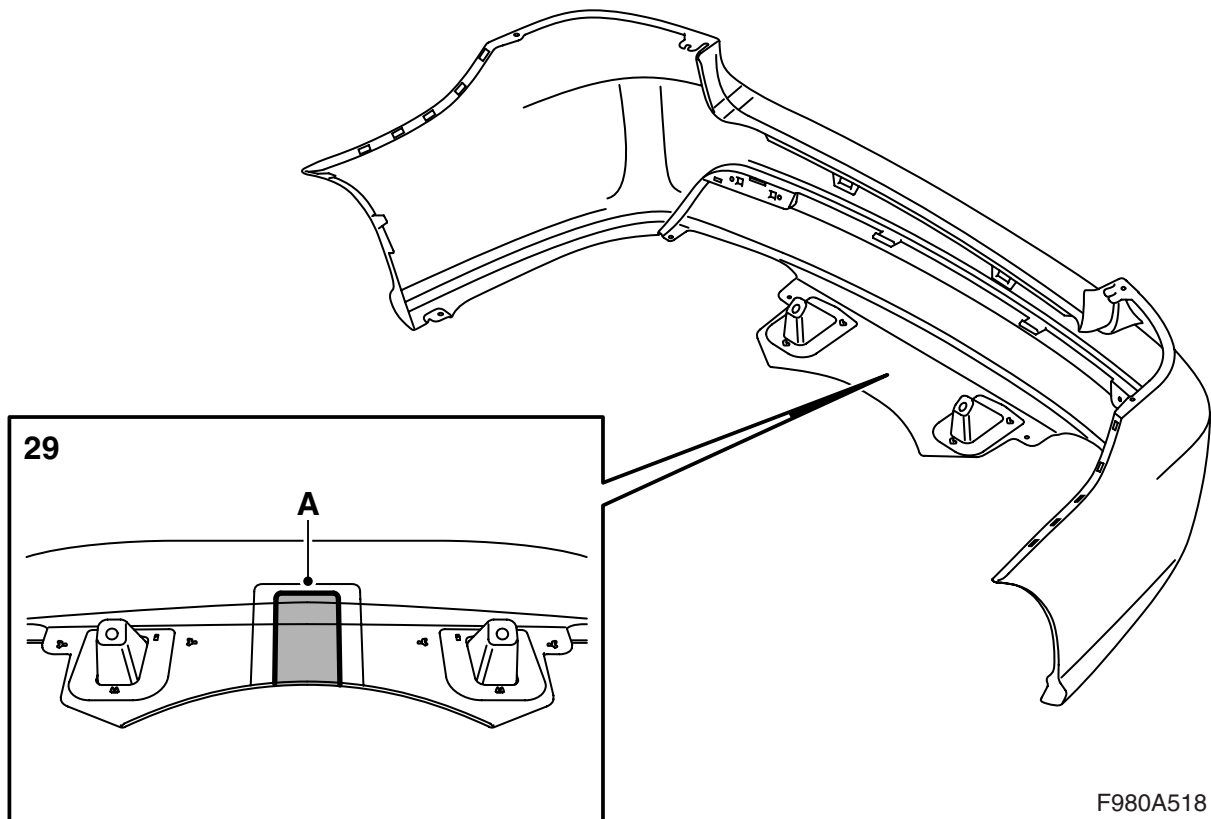
Cut/saw from the inside of the bumper within the reinforcement ribs as per the marking (B).

**⚠ WARNING**

Use of a saw and knife entails a risk of injury. Exercise caution when cutting. Check that the bumper shell is stably positioned before beginning to cut. Use personal protection equipment, such as protective gloves, safety goggles and hearing protection.

**Note**

Adapt the cut-out to the towbar after installation if necessary. Check that there is a small amount of play between the towbar and bumper.



### 29 M08, cars without a bumper skirt

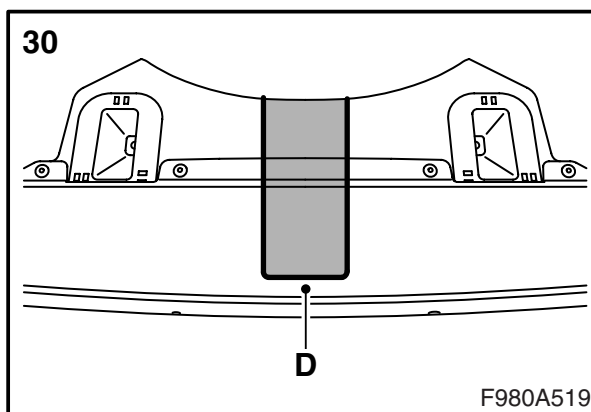
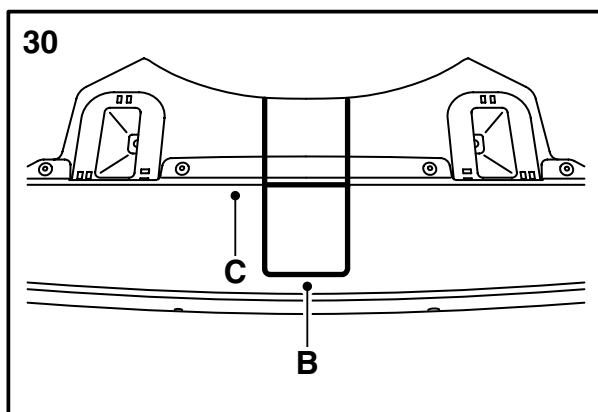
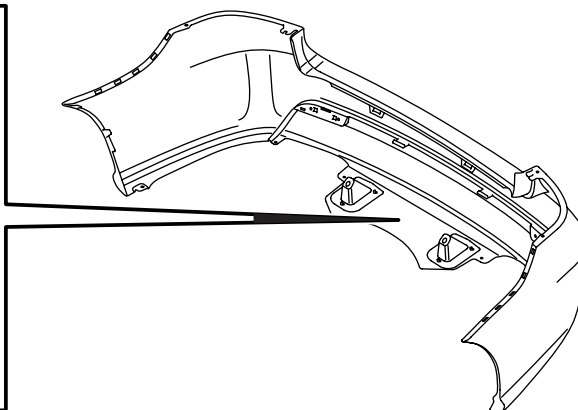
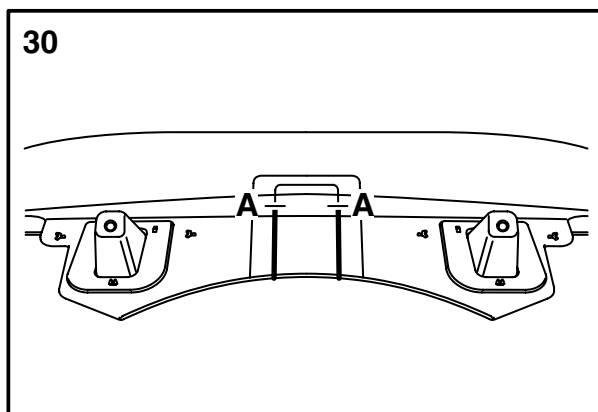
Cut/saw from the inside of the bumper as per the markings (A).

#### **WARNING**

Use of a saw and knife entails a risk of injury. Exercise caution when cutting. Check that the bumper shell is stably positioned before beginning to cut. Use personal protection equipment, such as protective gloves, safety goggles and hearing protection.

#### **Note**

Adapt the cut-out to the towbar after installation if necessary. Check that there is a small amount of play between the towbar and bumper.



F980A519

### 30 M08, cars with a bumper skirt:

30.1 Print template 3 and cut out the template.

#### Important

Check that the size of the template corresponds with the measurements after printing.

Create your own template if it is not possible to get the printout to correspond with the measurements.

#### Note

Templates 1 and 2 are used for a removable towbar and are not affected by these installation instructions.

30.2 Saw from the inside of the bumper as per the inner markings up to (A).

30.3 Turnover the bumper.

30.4 Place template 3 (B) on the outside of the bumper skirt against the edge (C). Centre between the cut slots and draw around the template.

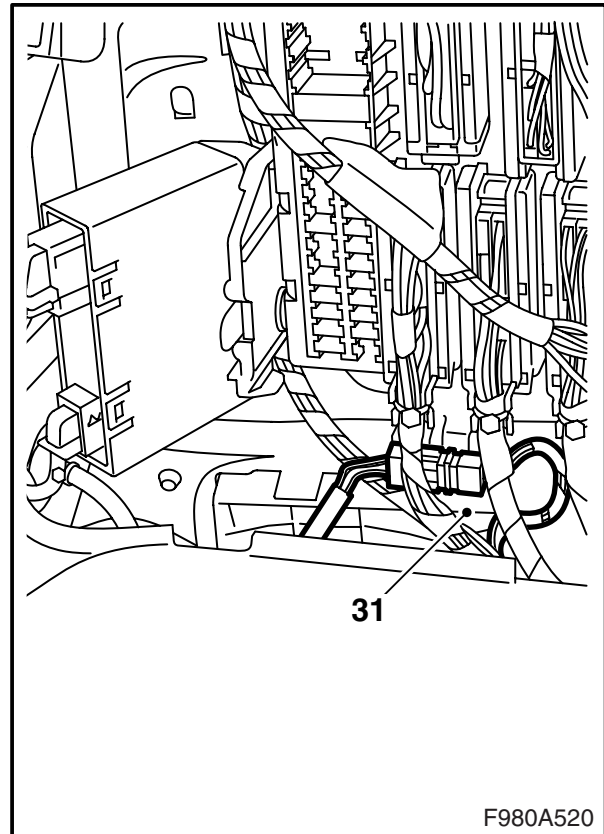
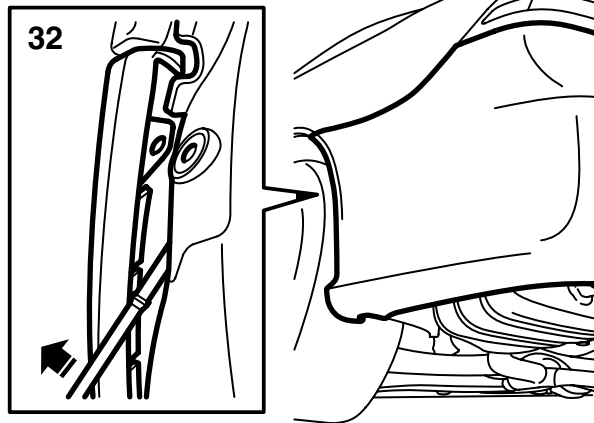
30.5 Saw from the outside of the bumper skirt as per the marking (D).

#### WARNING

Use of a saw and knife entails a risk of injury. Exercise caution when cutting. Check that the bumper shell is stably positioned before beginning to cut. Use personal protection equipment, such as protective gloves, safety goggles and hearing protection.

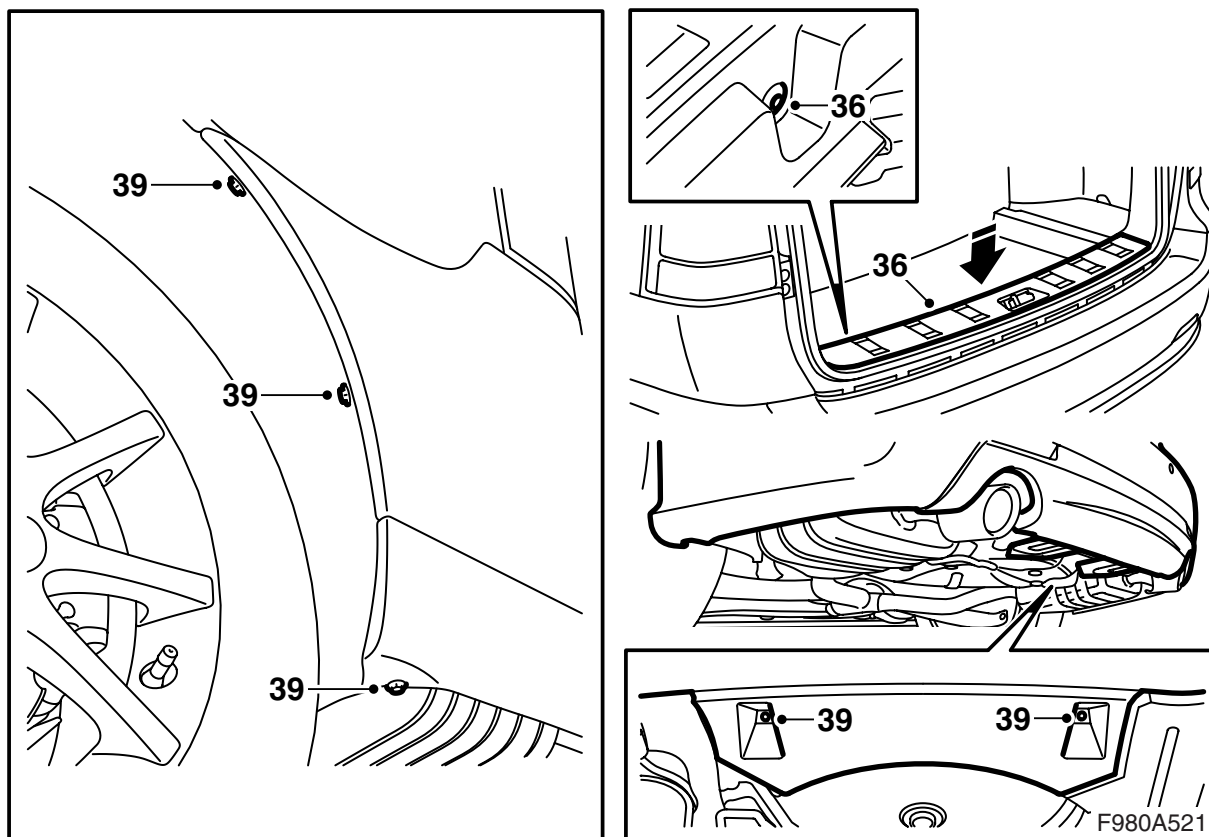
#### Note

Adapt the cut-out to the towbar after installation if necessary. Check that there is a small amount of play between the towbar and bumper.

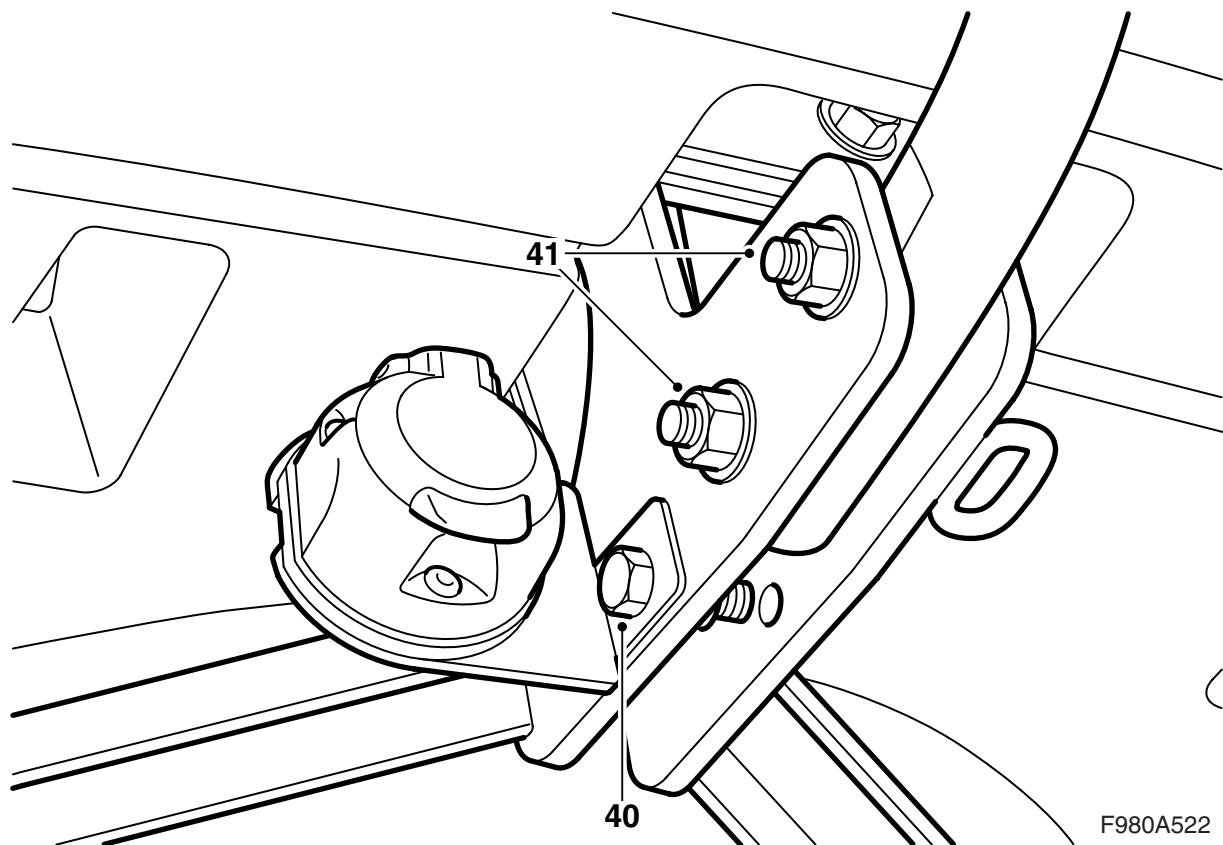


F980A520

- 31 **SPA:** Insert and plug in the connector.
- 32 Fit in the two tabs of the bumper shell under the holders and the outer corners between the wheel arch liner and the mounting points at the wheel arches. Press the bumper shell into place.
- 33 **M06-07 with subwoofer:** Fold down and screw in the subwoofer.
- 34 Fit the floor section on the left-hand side.
- 35 Fold down the floor.



- 36 Fit the scuff plate.
- 37 Fit the panel in the side trim.
- 38 Raise the car.
- 39 Fit the two nuts holding the rear bumper air shield to the body and the bolts holding the bumper shell to the wheel housings.



- 40 Fit the socket holder plate with connector on the towing bracket.
- 41 Fit the ball unit to the body bracket.

---

### Important

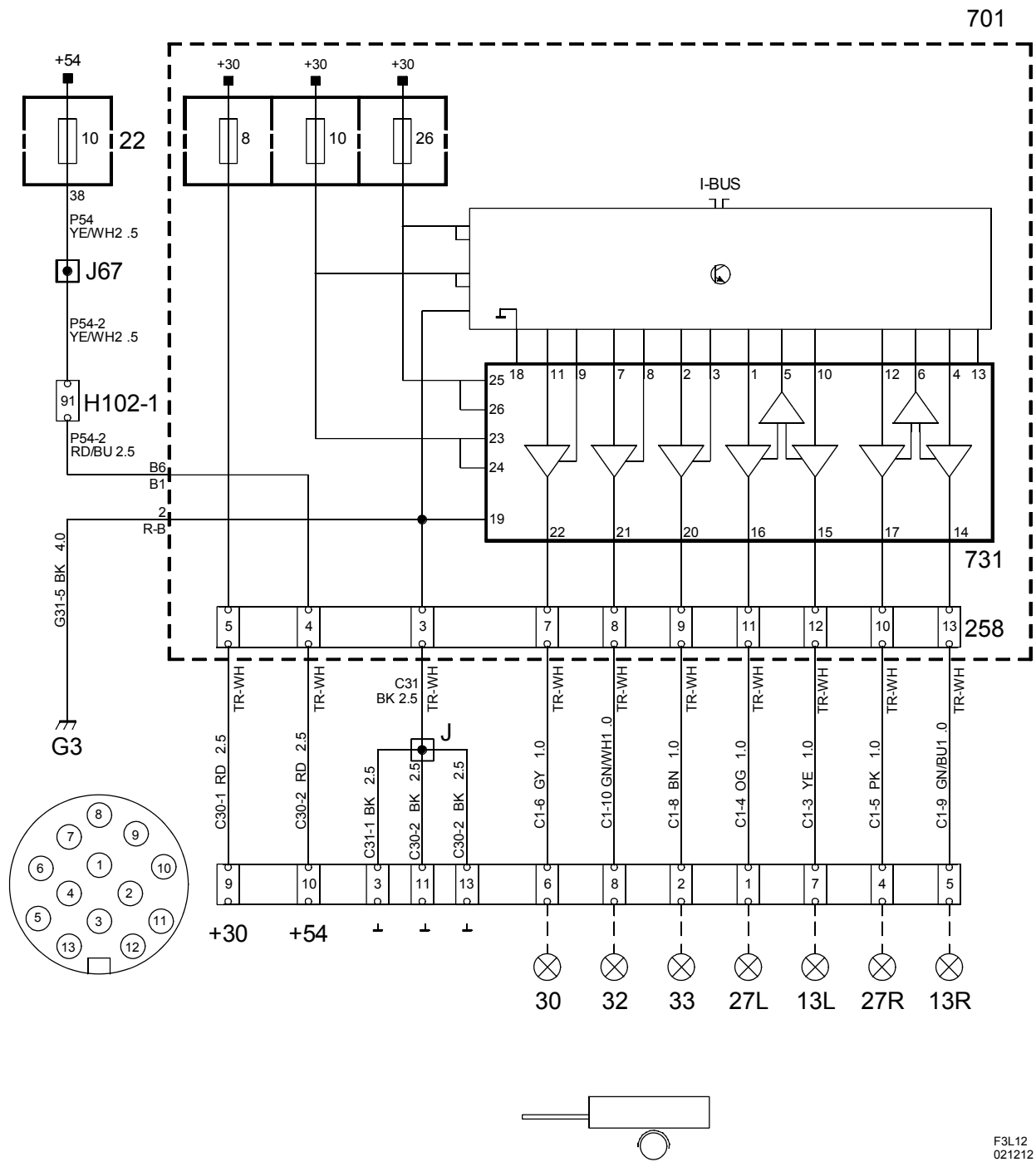
Insert the bolts from the right.

---

#### **Tightening torque 90 Nm (66.5 lbf ft)**

- 42 Lower the car and check the bumper alignment. Adjust if necessary.
- 43 Carefully remove the user instruction page and give it to the customer together with the installation instructions.

Wiring diagram



F3L12  
021212



## List of components

| No.                      | Name<br>position   |
|--------------------------|--|
| <b>Components</b>        |  |
| 13                       | Lamp, parking light,<br>trailer  |
| 22                       | Main fuse box, dashboard,<br>on the short side of the dashboard by the<br>left-hand door   |
| 27                       | Lamp, direction indicators,<br>trailer   |
| 30                       | Lamp, brake lights,<br>trailer   |
| 32                       | Lamp, reversing lights,<br>trailer   |
| 33                       | Lamp, rear fog lights,<br>trailer  |
| 258                      | Connector, towbar wiring harness,<br>in the luggage compartment electrical<br>centre   |
| 701                      | Luggage compartment electrical centre,<br>on the wall behind the left rear wheel<br>housing  |
| 731                      | Trailer control module,<br>in the luggage compartment electrical<br>centre   |
| <b>102-pin connector</b> |  |
| H102-1                   | Lower left-hand A-pillar   |
| <b>Crimp connections</b> |  |
| J                        | Approx. 160 mm from the 13-pin connector   |
| J67                      | <b>LHD:</b> Approx. 150 mm from branching point<br>front left floor lighting towards connector<br>H102-1<br><b>RHD:</b> Approx. 50 mm from branching point<br>grounding point G40 towards grounding<br>point G41 |
| <b>Grounding points</b>  |  |
| G3                       | In the luggage compartment below the left<br>light cluster   |

**User instructions**

**(to be kept in the driver's manual)**

---

**Important**

If the trailer is equipped with extra electrical equipment in addition to normal outer lighting (e.g. inner lighting or fan) and connected to the car via the trailer's connector, the trailer must be equipped with a 13-pin connector (installed according to ISO 11446) in order to allow for a separate power supply.

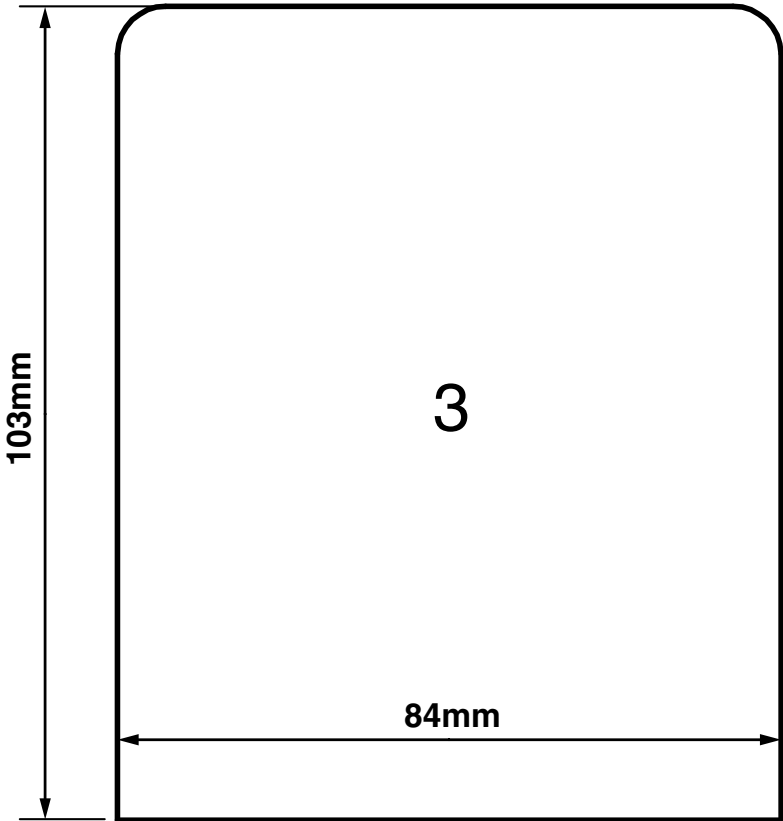
**Important**

**Cars with SPA:** The SPA system will compensate for the towbar when measuring the distance behind the car.

---



**Template 3**



F980A516