

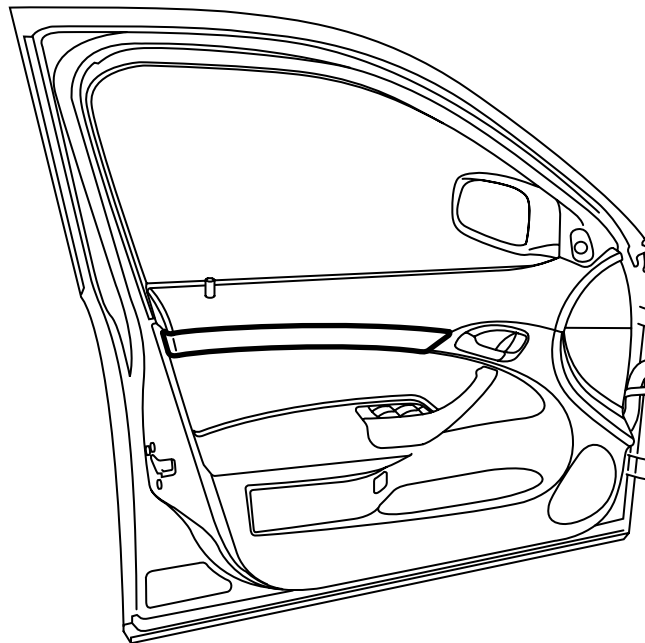


**MONTERINGSANVISNING · INSTALLATION INSTRUCTIONS
MONTAGEANLEITUNG · INSTRUCTIONS DE MONTAGE**

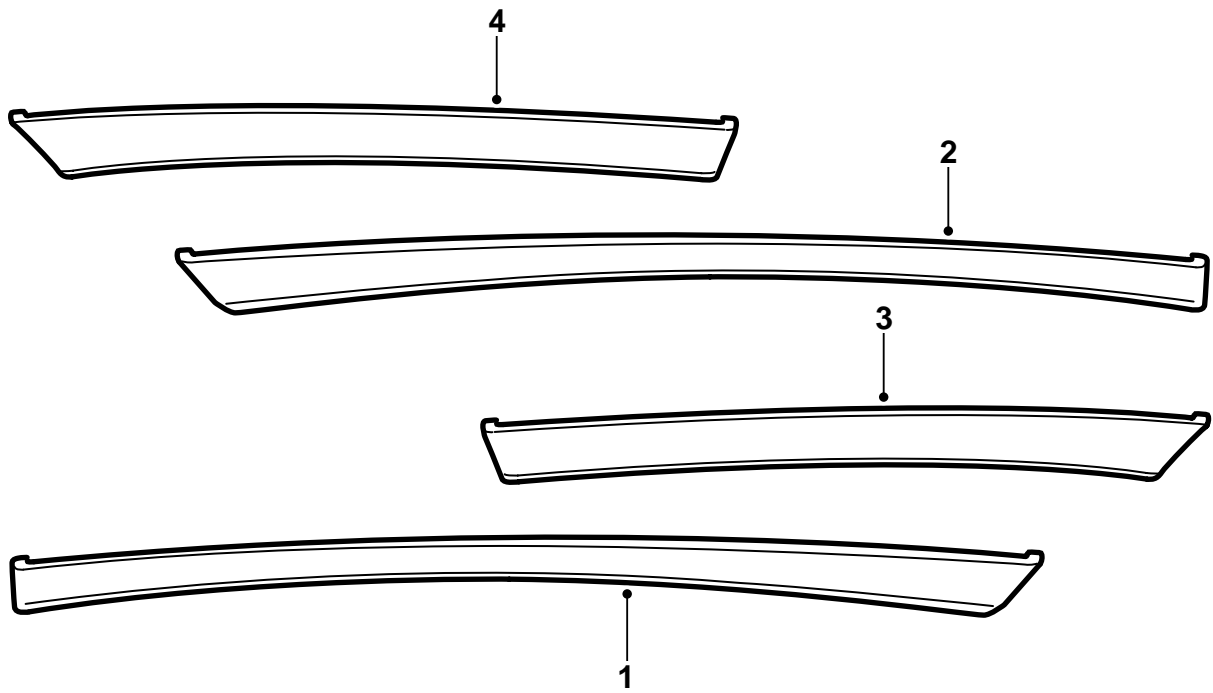
Saab 9-3 M03-

Decor strip, door trim

| Accessories Part No. | Group | Date | Instruction Part No. | Replaces |
|--|---------|--------|----------------------|-------------------|
| 12 787 088 12 799 683 32 025 851 | 9:85-22 | Sep 06 | 12 798 395 | 12 798 395 Jul 02 |

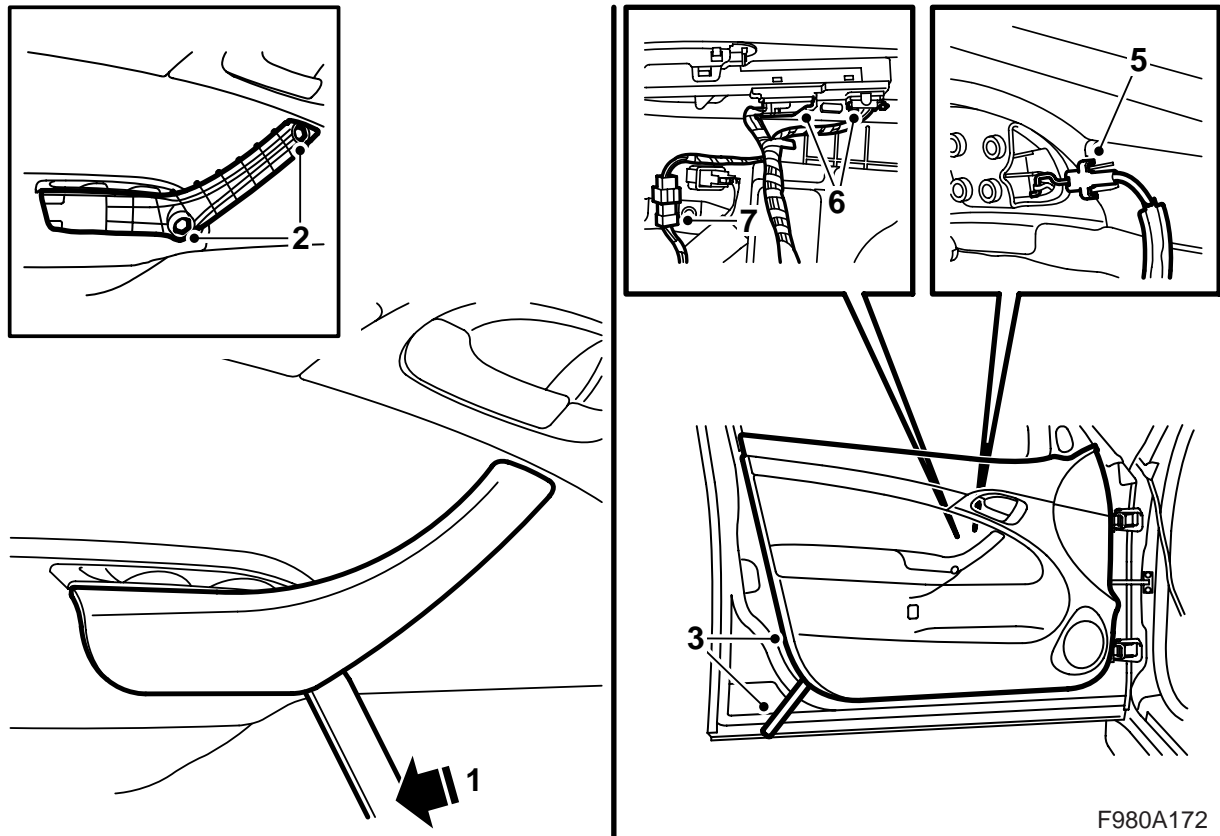


F980A170



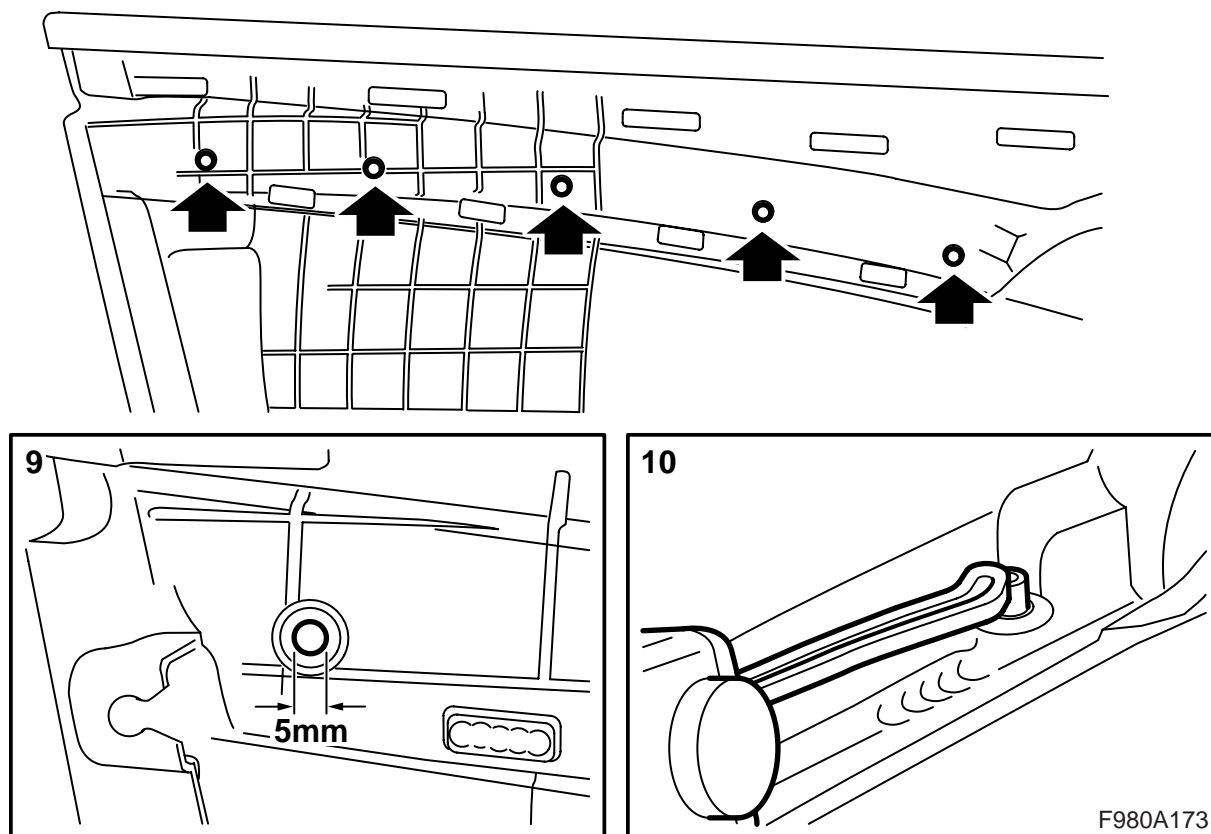
F980A171

- 1 Decor strip RR
- 2 Decor strip LR
- 3 Decor strip LF
- 4 Decor strip RF

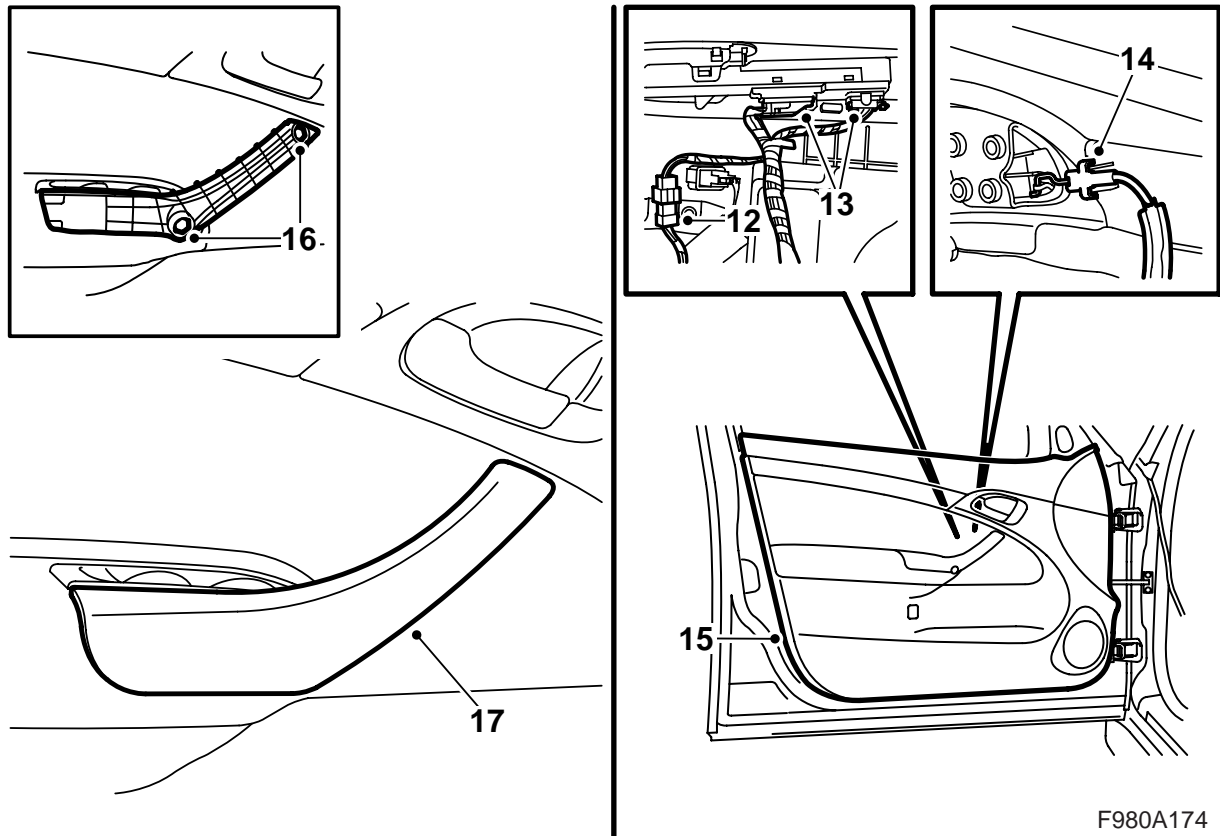


This description is valid for all doors.

- 1 Remove the inner handle cover by placing a thin tool (removal tool 82 93 474 is recommended) under the handle and lifting upwards.
- 2 Remove the screws from the handle.
- 3 Remove the door trim clips by carefully prising the door trim outwards.
- 4 Lift the door trim upwards.
- 5 Remove the opening handle cable.
- 6 Remove the connectors from the door trim and window lift.
- 7 **Driver's door:** Unplug the connector in the switch wiring harness.



- 8 Place the door trim on a soft, clean surface on top of a well-cleaned workbench.
- 9 Drill out the plastic rivets holding the decor strip to the door trim with a 5 mm drill.
- 10 Fit the new decor strip in the old holes and melt the decor strip pins in place using a soldering-iron.



F980A174

- 11 Check that the door trim clips are properly placed and intact. Replace damaged clips.
- 12 **Driver's door:** Connect the switch wiring harness.
- 13 Plug in the door trim and window lift connectors.
- 14 Fit the opening handle cable.
- 15 Take down the upper door trim section between the window and the door shell. Make sure the clips are facing in the proper direction and press the door trim into place.
- 16 Fit the screws to the handle.
- 17 Fit the cover on the inner handle.