

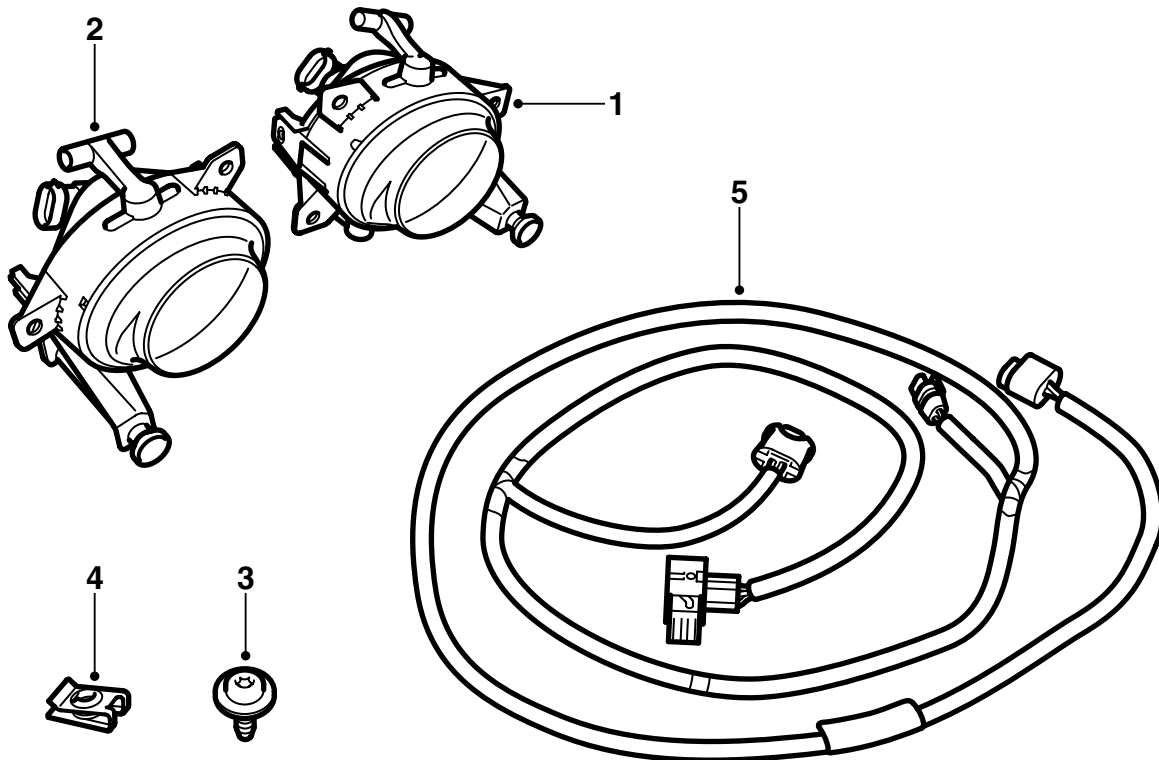


MONTERINGSANVISNING · INSTALLATION INSTRUCTIONS
MONTAGEANLEITUNG · INSTRUCTIONS DE MONTAGE

Saab 9-5 M06-

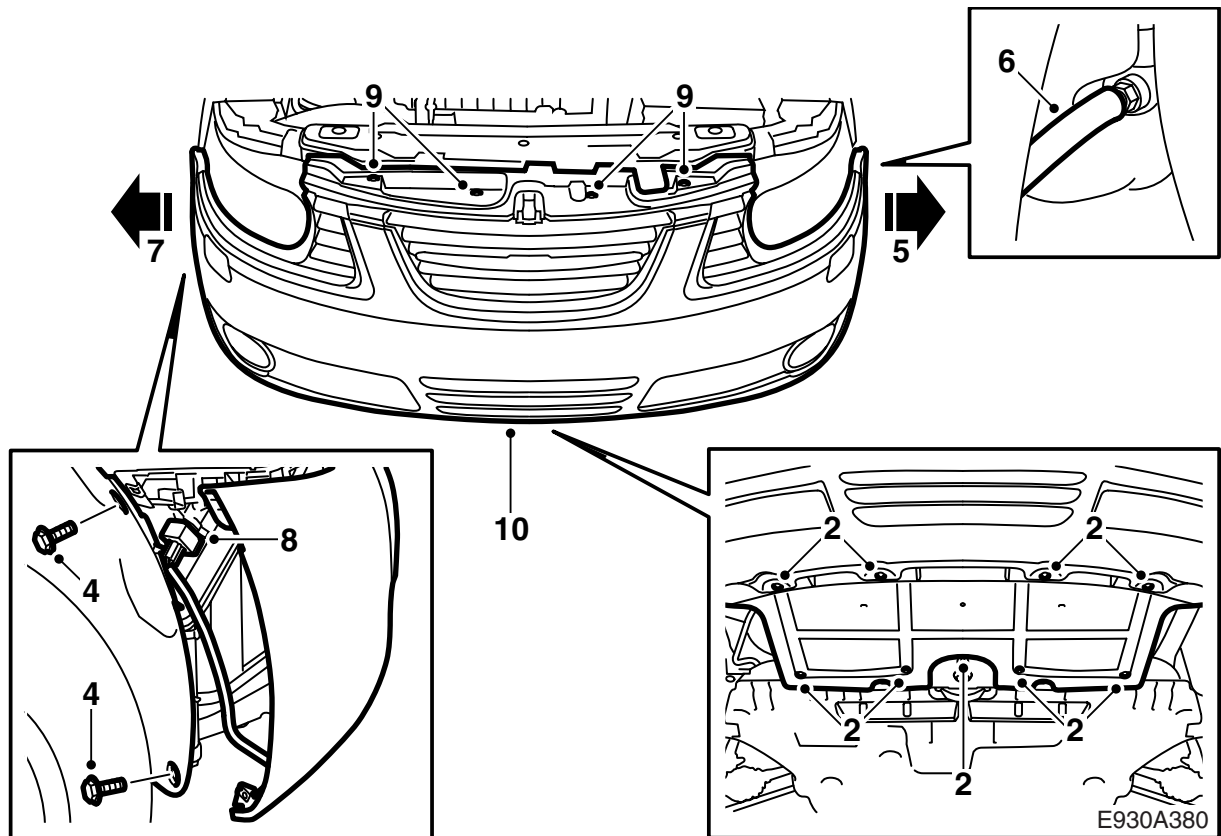
Fog lights

Accessories Part No.	Group	Date	Instruction Part No.	Replaces
32 025 631	9:35-06	Aug 05	32 025 632	

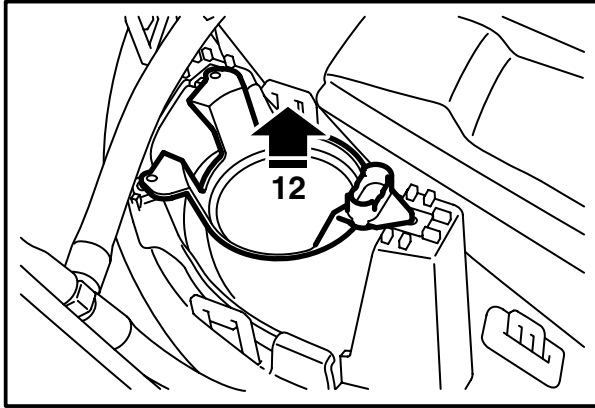
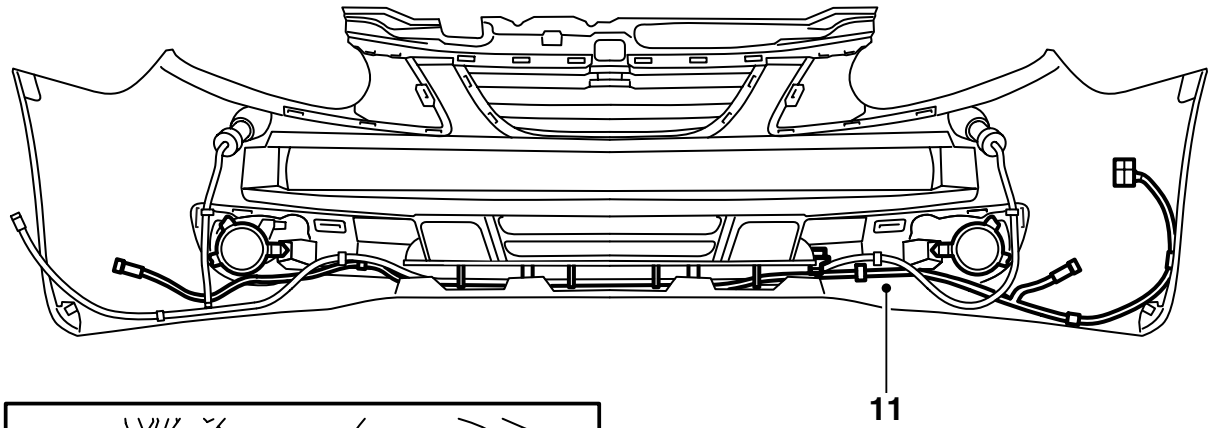


E930A379

- 1 Fog light, left
- 2 Fog light, right
- 3 Screw (x6)
- 4 Clip nut (x6)
- 5 Wiring harness

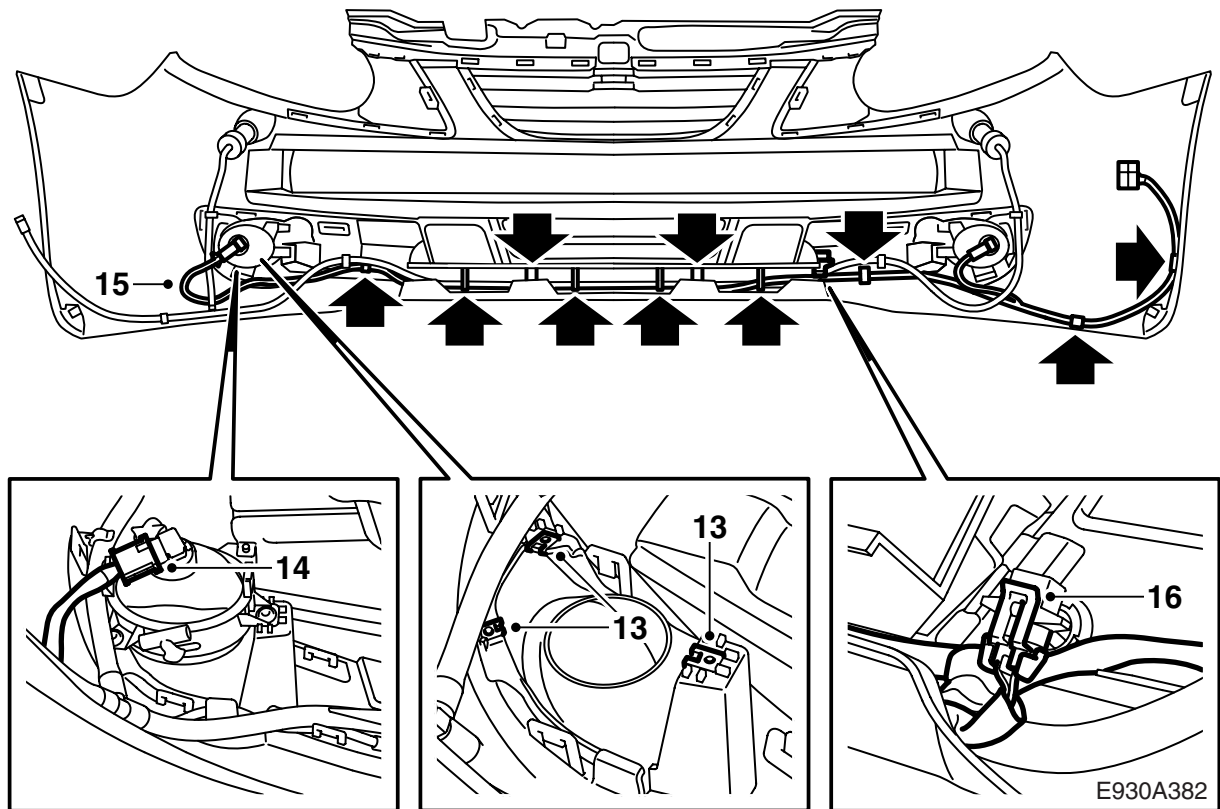


- 1 Raise the car.
- 2 Remove the front spoiler shield.
- 3 Lower the car to a suitable working height.
- 4 Remove the bumper shell screws at the wing liner on both sides.
- 5 Detach the shell from the side bracket on the left-hand side. Undo the catch using a small screwdriver.
- 6 **Cars with headlamp washers:** Detach the shell from the side bracket on the left-hand side. Place a collection container under the car. Remove the hose to the headlamp washers. Plug the hole to the washer fluid reservoir connection.
- 7 Detach the shell from the side bracket on the right-hand side. Undo the catch using a small screwdriver.
- 8 Unplug the 6-pin connector.
- 9 Remove the bumper shell's upper clips and screws.
- 10 Get help from an assistant to lift off the bumper shell.



E930A381

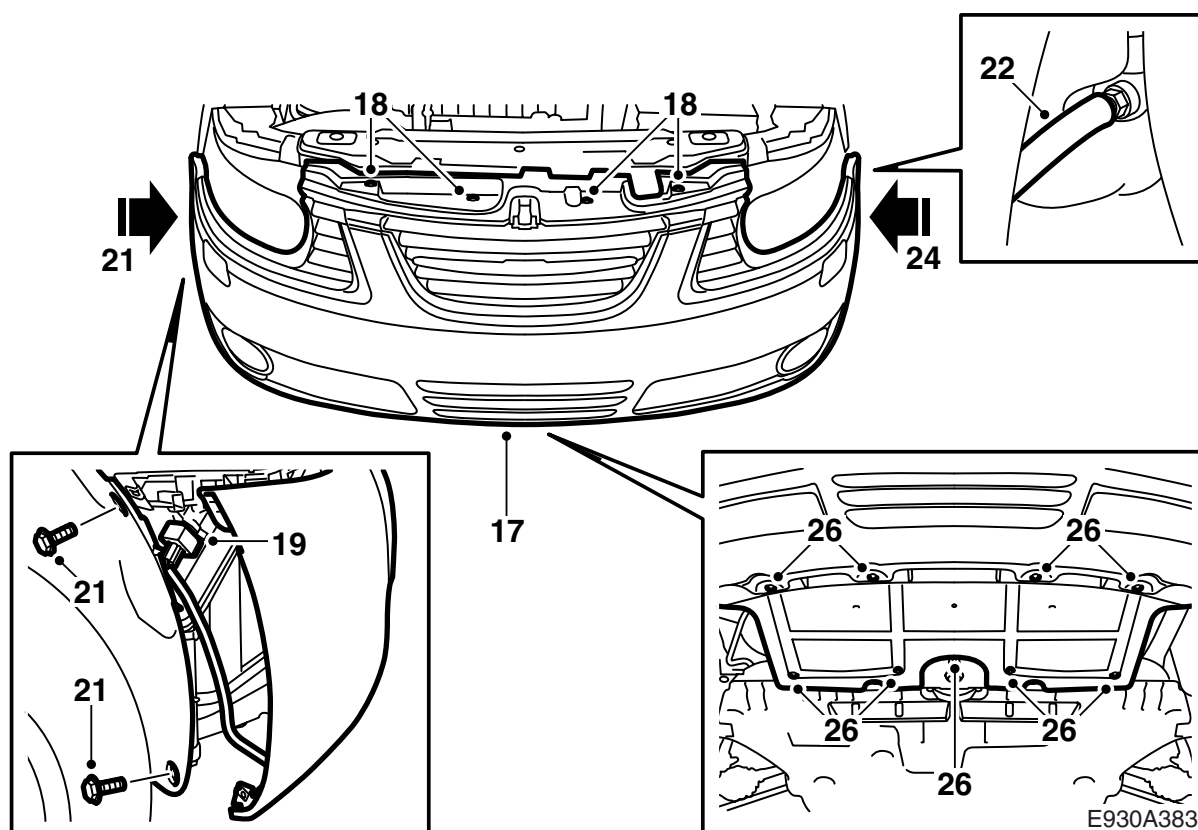
- 11 Remove the wiring harness to the outside temperature sensor.
- 12 Remove the cover for the fog lights.



- 13 Fit the clip nuts for the screws on the lamp mountings in the bumper shell.
- 14 Fit the fog lights.
- 15 Position the kit's wiring harness along the bumper starting at the left-hand fog light.
- 16 Connect the fog lights and the outside temperature sensor. Fit the wiring harness in the existing clips along the lower edge of the bumper shell.

⚠ WARNING

The wiring harness must be routed and secured so that it cannot become trapped or chafe against anything when refitting dismantled parts. Incorrect routing could cause damage to the wiring harness and short circuit/fire.



- 17 Get help from an assistant to lift on the bumper shell. Make sure that the shell secures in the bracket.
- 18 Fit the bumper shell's upper clips and screws.
- 19 Plug in the 6-pin connector in the wheel housing on the right-hand side. Fit the wiring harness in the existing clips.

⚠ WARNING

Check that the wiring harness is not pinched. Incorrect fitting can damage the wiring harness and cause a short-circuit/fire.

- 20 Press the shell backward and press the shell securely into the bracket.
- 21 Fit the wing liner's screws in the right-hand wheel housing.
- 22 **Cars with headlamp washers:** Remove the plug and connect the hose's snap-on coupling to the washer fluid reservoir.
- 23 Press the shell backward and press the shell securely into the bracket.
- 24 Fit the wing liner's screws on the left-hand side.
- 25 Raise the car.
- 26 Fit the front spoiler shield.
- 27 Lower the car.
- 28 Adjust the light pattern of the fog lights, making sure they will not dazzle oncoming traffic.
- 29 Ensure that the on/off function complies with the legislation in force.