



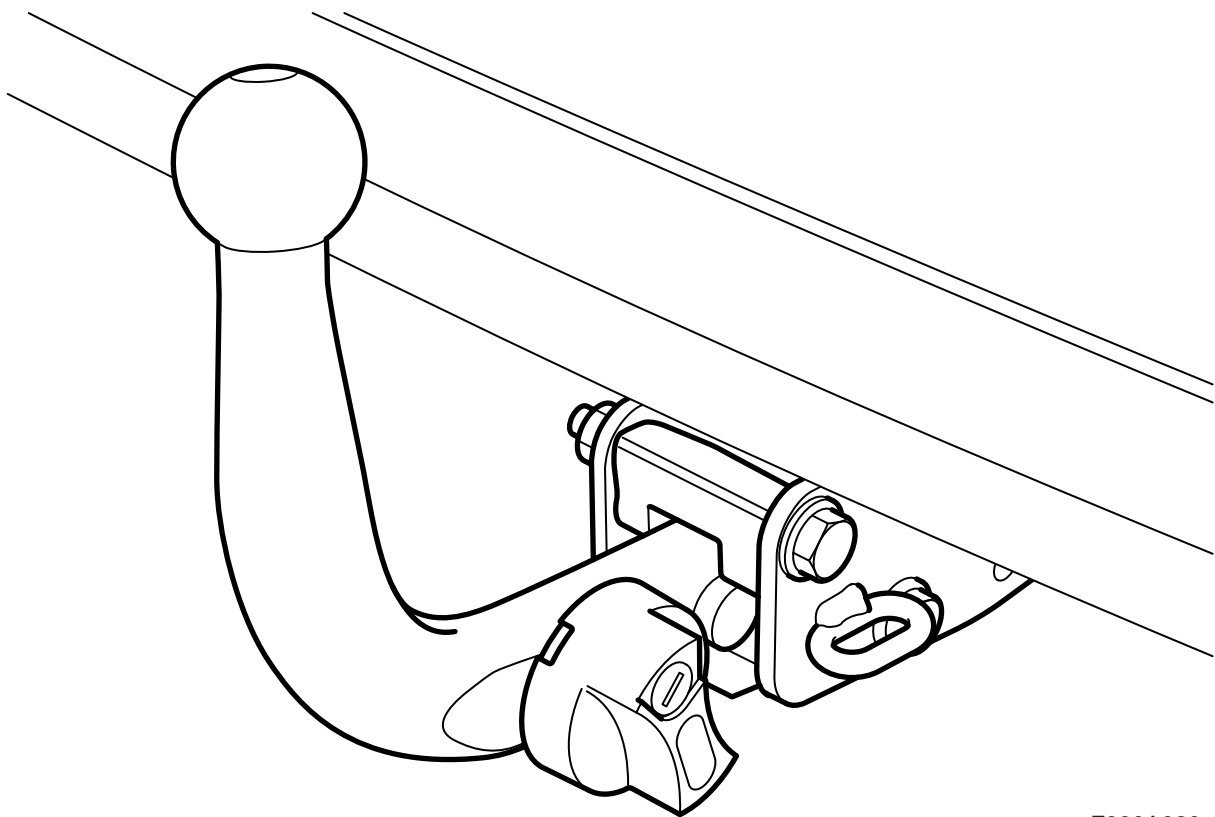
**MONTERINGSANVISNING · INSTALLATION INSTRUCTIONS
MONTAGEANLEITUNG · INSTRUCTIONS DE MONTAGE**

Saab 9-3 5D M06-

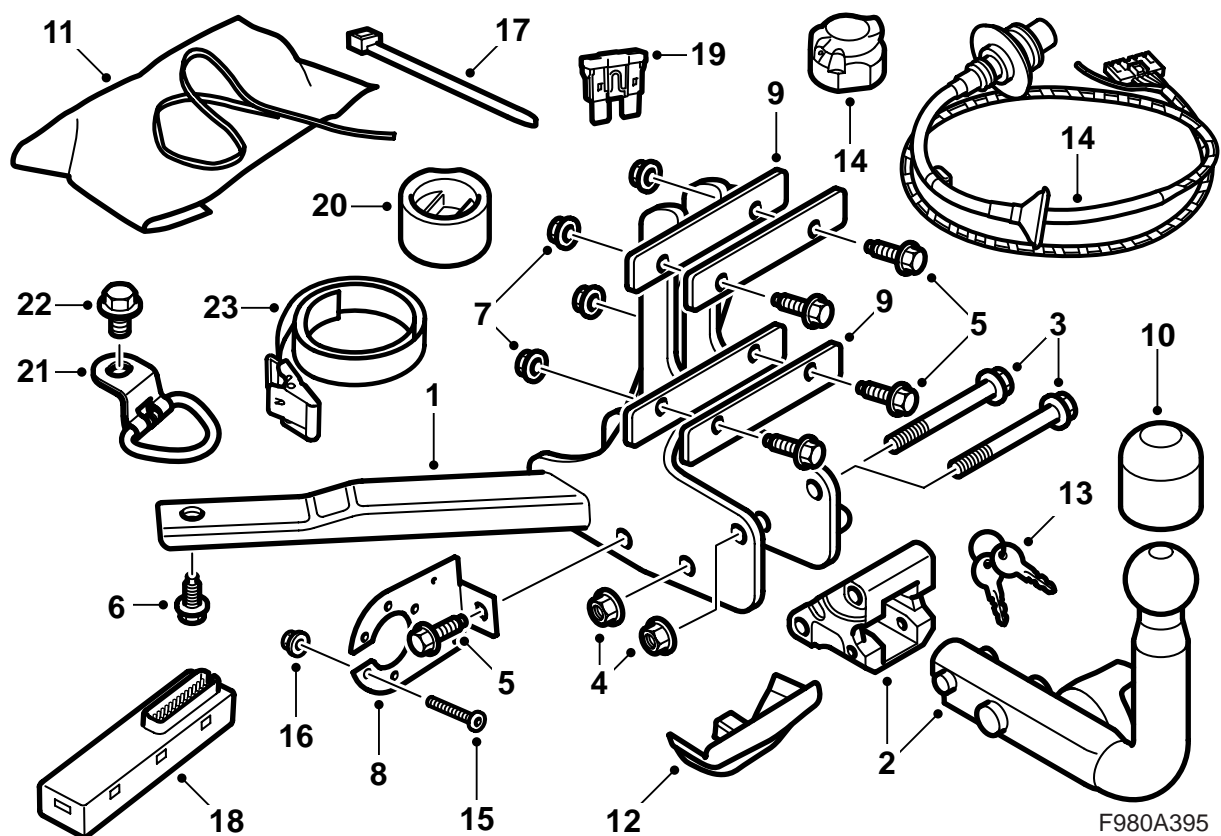
(EC 94/20, E4 00 2885)

Towbar, removable

Accessories Part No.	Group	Date	Instruction Part No.	Replaces
12 795 099 32 026 053	9:86-06	Oct 07	12 798 869	Jun 07



F980A020



- 1 Body bracket
- 2 Ball unit
- 3 Screw (x2)
- 4 Nut (x2)
- 5 Screw (x5)
- 6 Screw (x2)
- 7 Nut (x5)
- 8 Socket holder plate
- 9 Reinforcing plate (x2)
- 10 Ball guard
- 11 Storage bag
- 12 Cover (purchased separately)
- 13 Key (x2)
- 14 Wiring harness (13-pin)
- 15 Screw (x3)
- 16 Nut (x3)
- 17 Cable tie (x4)
- 18 Electronic module
- 19 Fuse
- 20 Protective collar
- 21 Load securing eyelet
- 22 Screw
- 23 Belt

Note

Always check national legislation and regulations regarding mounting a towing bracket. Ensure that all requirements are complied with.

The towing bracket fulfils the requirements of 94/20/EEC.

Maximum permitted trailer weight:

Braked trailer: 1600 kg (3500 lbs.)

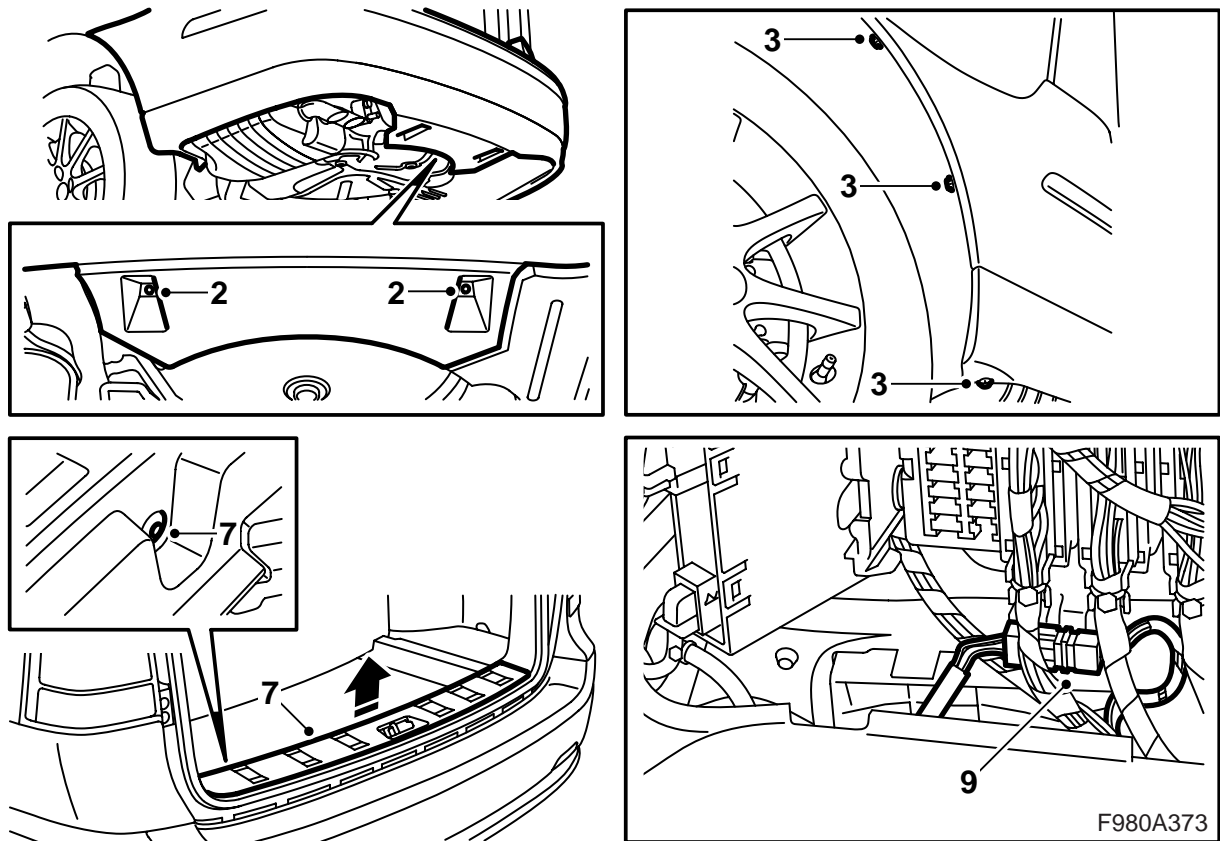
Trailer without brakes: 50% of the towing vehicle's weight (vehicle in running order), but no more than 750 kg (1650 lbs).

Max. permissible towball pressure: 75 kg

Maximum D-value: 9.0 kN

Important

The car must be inspected after the towing bracket is mounted. Show these instructions at the inspection.

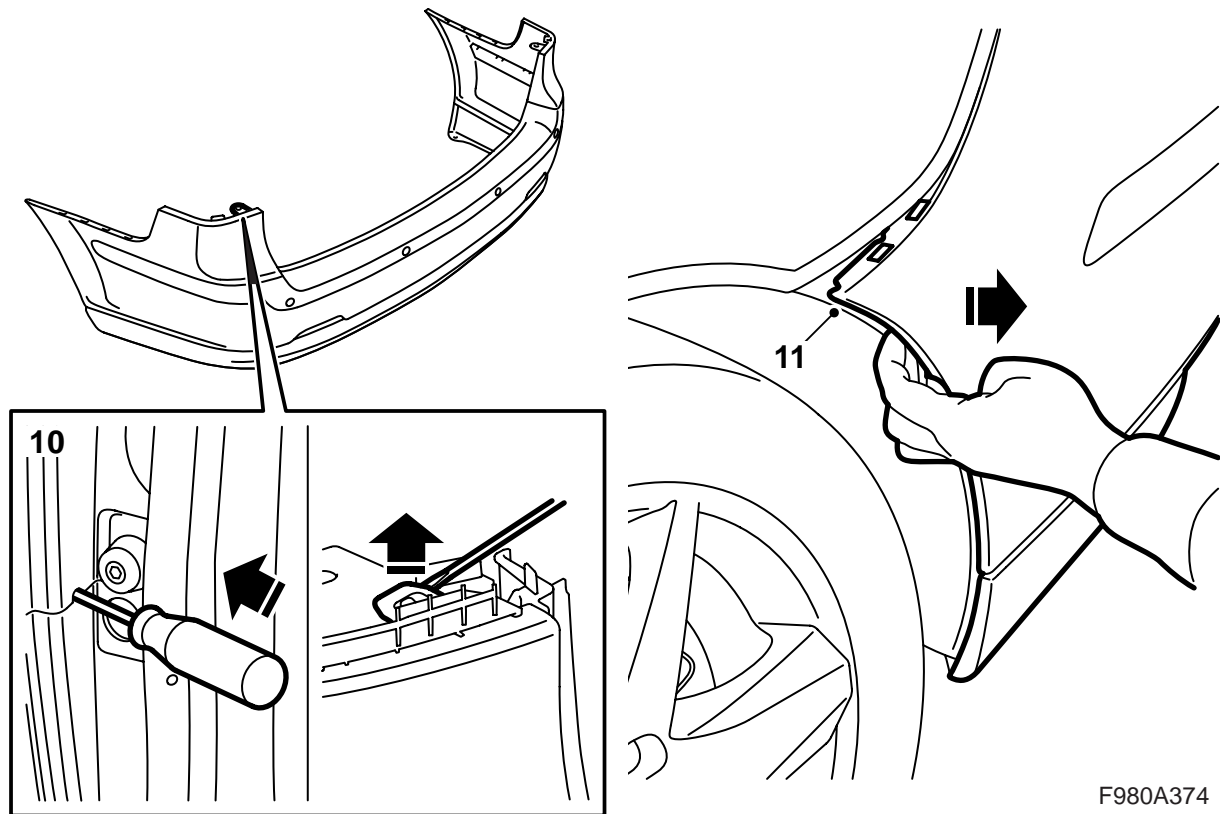


- 1 Raise the car.
- 2 Remove the spoiler's centre nuts.
- 3 Remove the screws to the wheel housing.
- 4 Lower the car and open the boot lid.
- 5 Fold up the floor.
- 6 **M06-07 with subwoofer:** Unscrew the screws holding the subwoofer, lift it up and secure it.
- 7 Remove the luggage compartment scuff plate.

Important

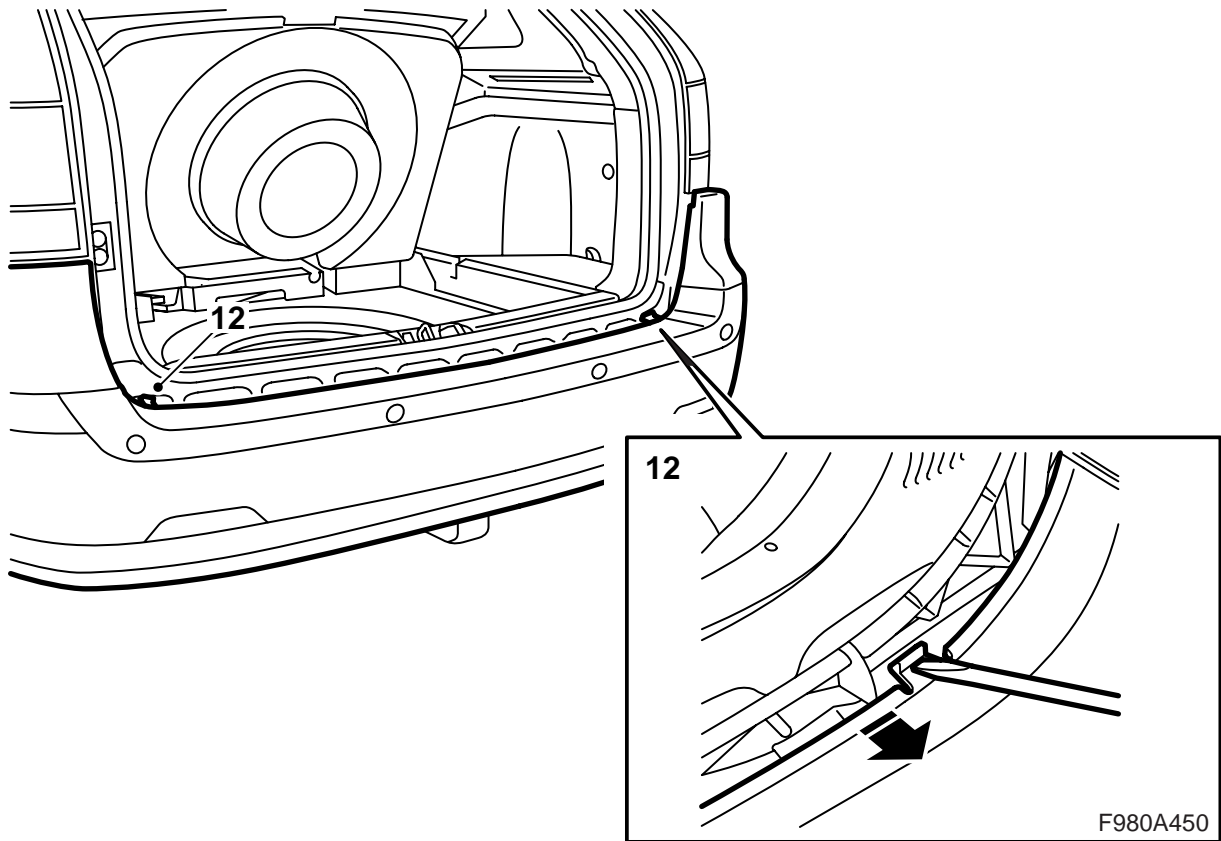
The scuff plate is fitted with two clips.

- 8 Remove the hatch in the left-hand luggage compartment side trim.
- 9 **Cars with SPA:** Unplug the connector.

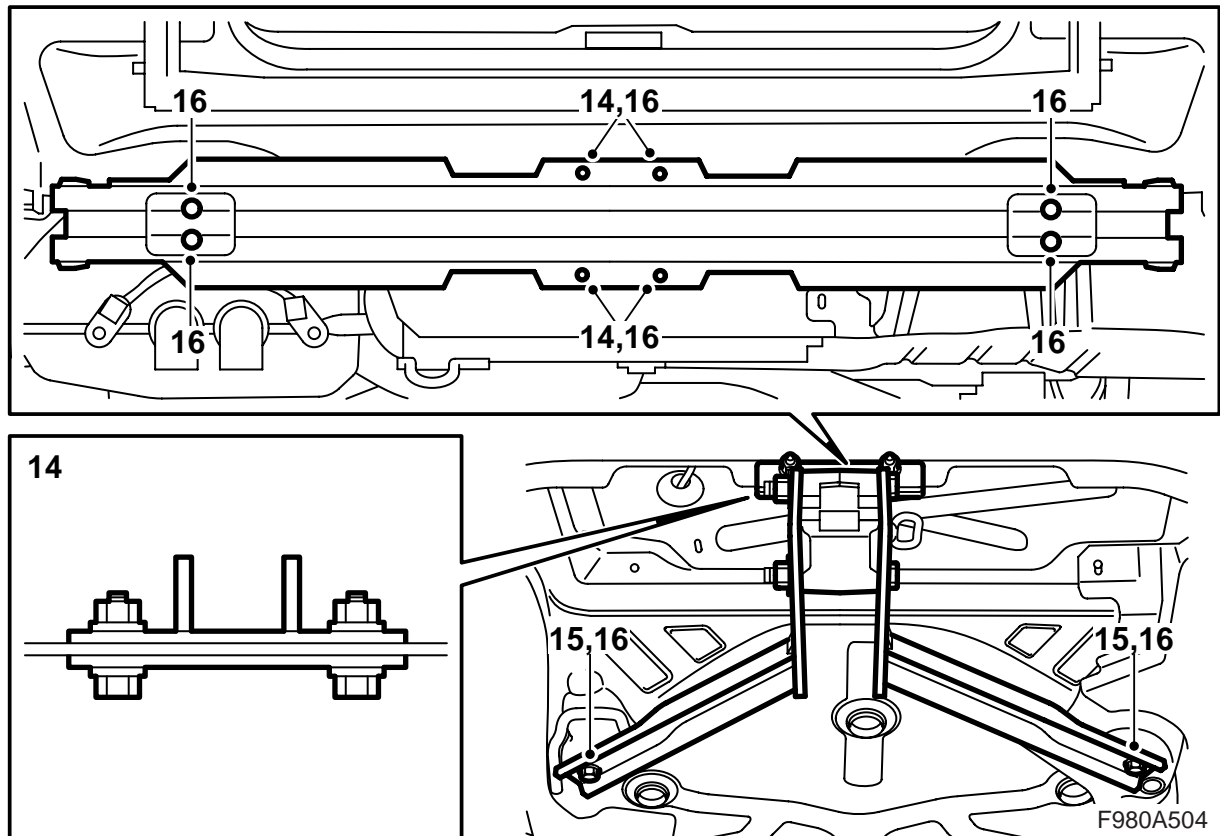


F980A374

- 10 Insert a screwdriver in the hole to reach under the catch. Bend carefully using the screwdriver to release the catch.
- 11 Pull the bumper shell away from the holders.



- 12 Release the catches using a screwdriver.
Detach the shell from the moulding.
- 13 Lift off the bumper shell.
Cars with SPA: Pull out the wiring harness.

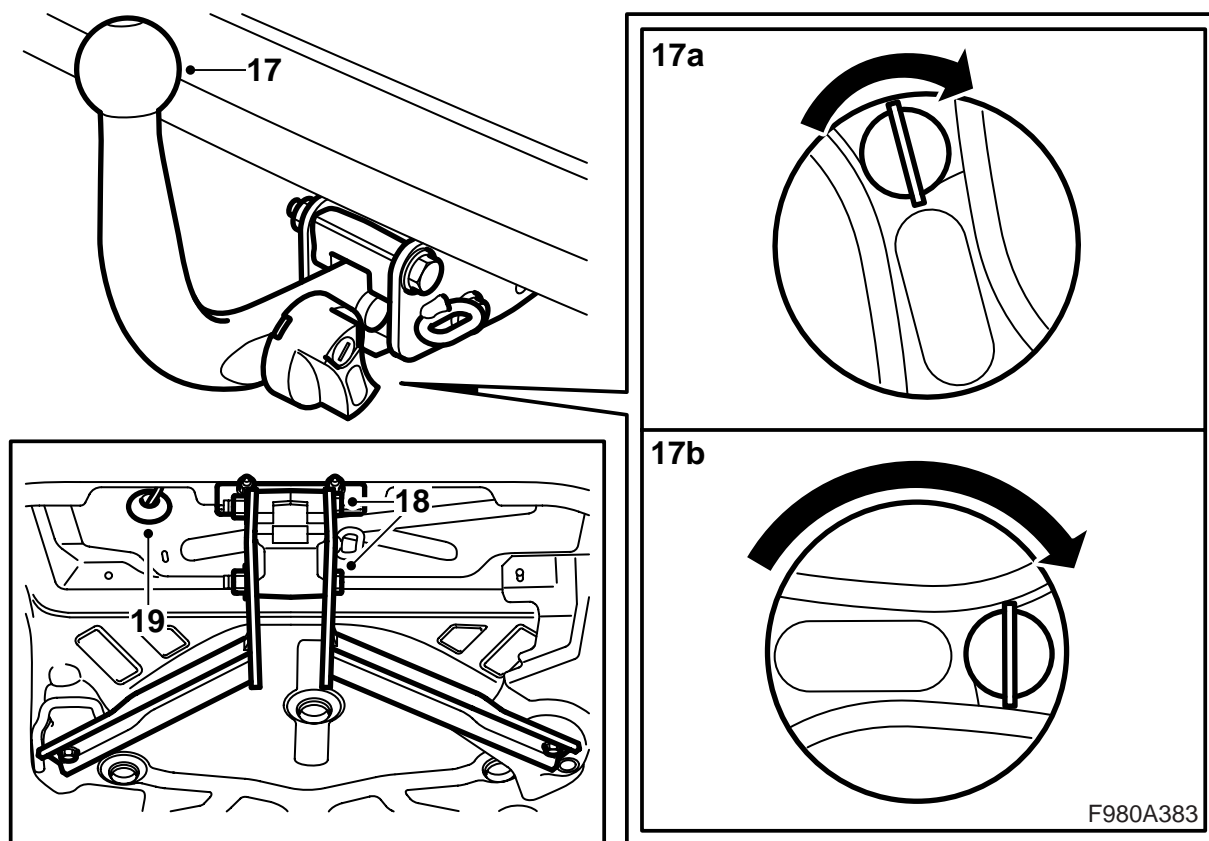


- 14 Secure the towbar with bolts and nuts together with the reinforcements in the four holes which are in the bumper member and raise the car.
- 15 Fasten the towing bracket in the floor under the spare wheel well.
- 16 Tighten the bumper member mountings against the body and the bolts and nuts holding the towing bracket against the bumper member and floor.

**Tightening torque, bumper member to body
50 Nm (37 lbf ft)**

**Tightening torque, towing bracket to bumper member
50 Nm (37 lbf ft)**

**Tightening torque, towing bracket to floor
50 Nm (37 lbf ft)**



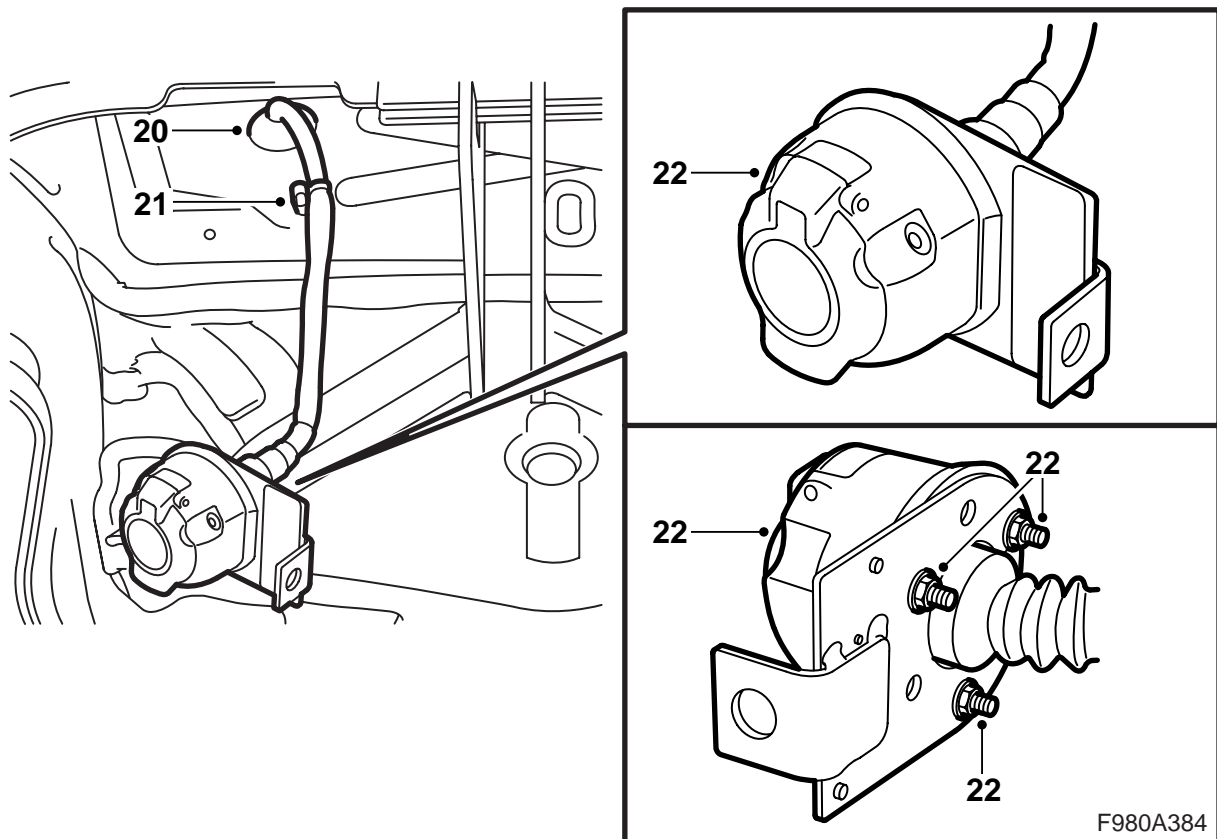
- 17 Remove the ball unit from the bracket by
- inserting the key in the lock and turning it clockwise
 - pressing in the knob and turning it clockwise until it meets resistance and an audible "click" is heard
 - lifting the ball unit up and pulling it rearwards.
- 18 Fit the ball unit bracket to the body bracket.

Important

Insert the screws from the right.

Tightening torque 90 Nm (66.5 lbf ft)

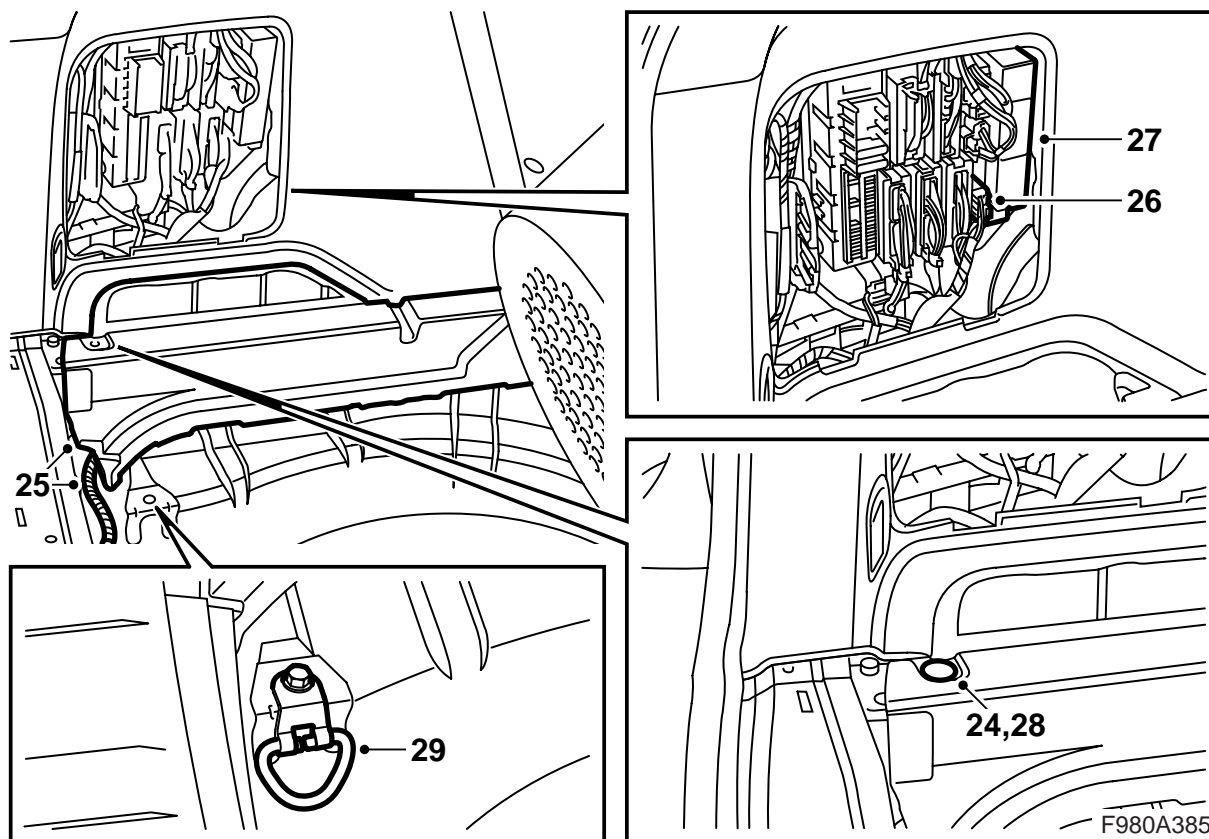
- 19 Remove the rubber grommet.



- 20 Insert the wiring harness through the hole in the body.
- 21 Fasten the wiring harness to the right-hand weld screw on the left-hand side of the towbar.
- 22 Fit the 13-pin connector to the connector holder plate. The cover should open upward.

Important

The seal between the connector and the connector holder plate must be correctly mounted and should not be folded in anywhere.

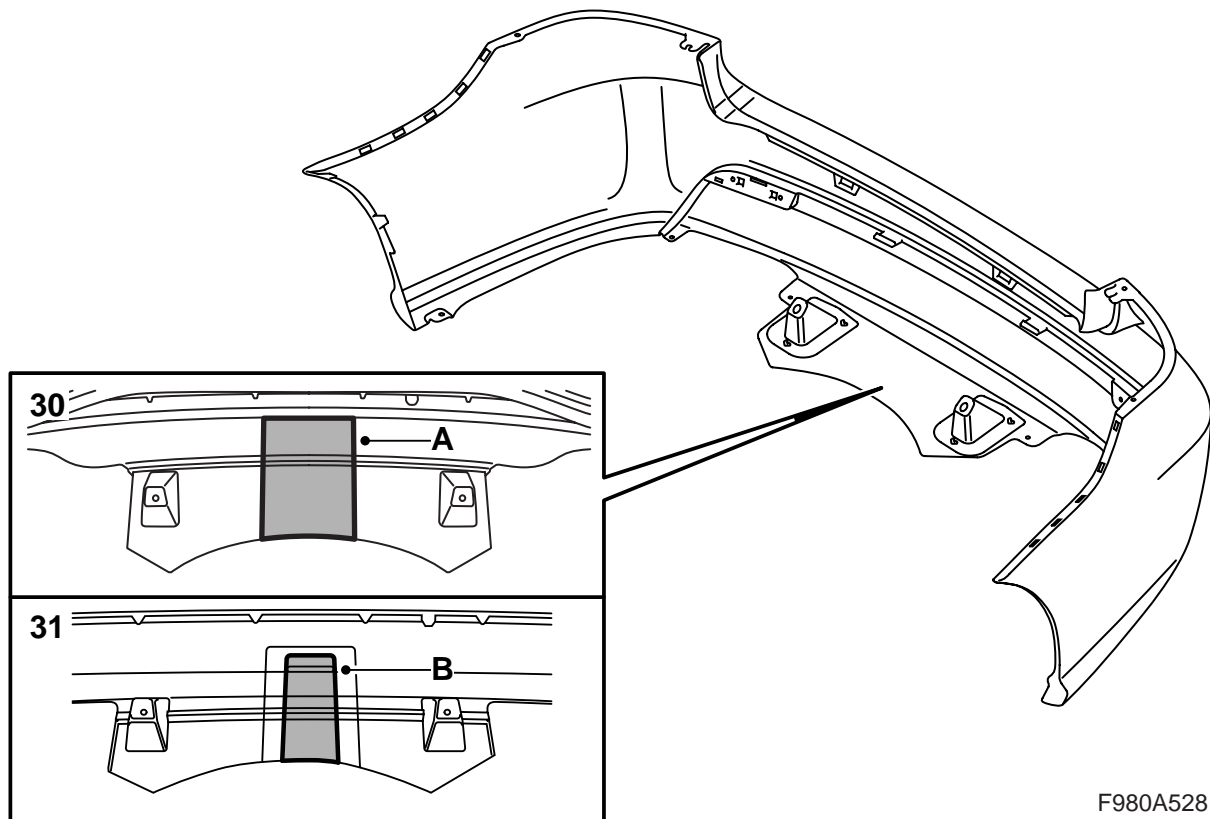


- 23 Lower the car.
- 24 Remove the clip holding the foam plastic block on the left-hand side.
- 25 Carefully lift up the foam plastic block and guide the wiring harness underneath it.
- 26 Plug the wiring harness connector into the REC and secure the wiring harness with four cable ties.

Important

The blue/white (BU/WH) cable which is not connected in the connector must not be used, but must be secured together with the wiring harness in the nearest cable tie.

- 27 Fit the kit's electronic module in the REC and fit the fuse in position 8 in the REC.
- 28 Fit the clip for the foam plastic block.
- 29 **M06-07 without subwoofer:** Fit the load securing eyelet.
M08- with or without subwoofer: Fit the load securing eyelet.



F980A528

30 M06-07, cars without a bumper skirt

Cut/saw from the inside of the bumper within the reinforcement ribs as per the marking (A).

WARNING

Use of a saw and knife entails a risk of injury. Exercise caution when cutting. Check that the bumper shell is stably positioned before beginning to cut. Use personal protection equipment, such as protective gloves, safety goggles and hearing protection.

Note

Adapt the cut-out to the towbar after installation if necessary. Check that there is a small amount of play between the towbar and bumper.

31 M06-07, cars with a bumper skirt

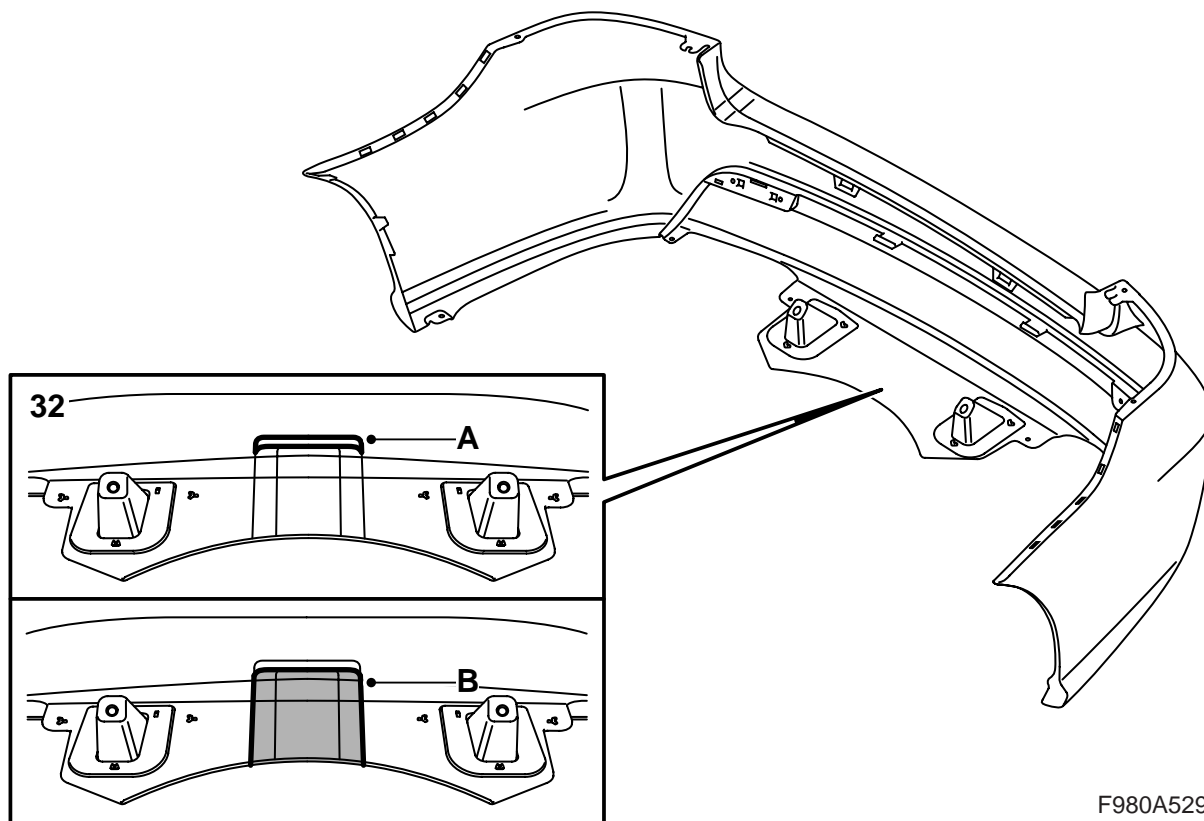
Cut/saw from the inside of the bumper within the reinforcement ribs as per the marking (B).

WARNING

Use of a saw and knife entails a risk of injury. Exercise caution when cutting. Check that the bumper shell is stably positioned before beginning to cut. Use personal protection equipment, such as protective gloves, safety goggles and hearing protection.

Note

Adapt the cut-out to the towbar after installation if necessary. Check that there is a small amount of play between the towbar and bumper.



F980A529

32 M08, cars without a bumper skirt:

32.1 Print template 1 and cut out the template.

Important

Check that the size of the template corresponds with the measurements after printing.

Create your own template if it is not possible to get the printout to correspond with the measurements.

32.2 Place template 1 (A) on the inside of the bumper shell against the upper marking and draw around the bottom edge of the template.

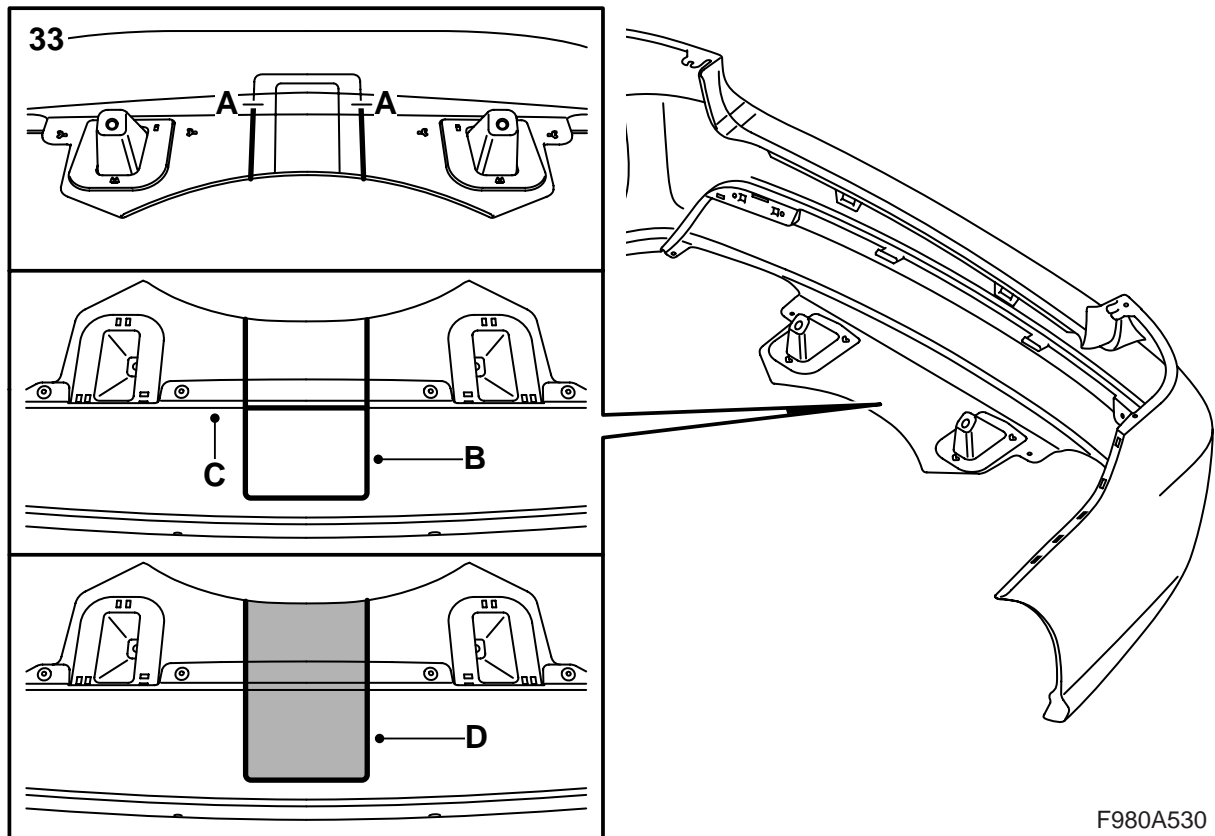
32.3 Cut/saw from the inside of the bumper shell (B).

WARNING

Use of a saw and knife entails a risk of injury. Exercise caution when cutting. Check that the bumper shell is stably positioned before beginning to cut. Use personal protection equipment, such as protective gloves, safety goggles and hearing protection.

Note

Adapt the cut-out to the towbar after installation if necessary. Check that there is a small amount of play between the towbar and bumper.



33 M08, cars with a bumper skirt:

33.1 Print template 2 and cut out the template.

Important

Check that the size of the template corresponds with the measurements after printing.

Create your own template if it is not possible to get the printout to correspond with the measurements.

33.2 Saw from the inside of the bumper according to the outer markings up to (A).

33.3 Turnover the bumper

33.4 Place template 2 (B) on the outside of the bumper skirt against the edge (C). Centre between the cut slots and draw around the template.

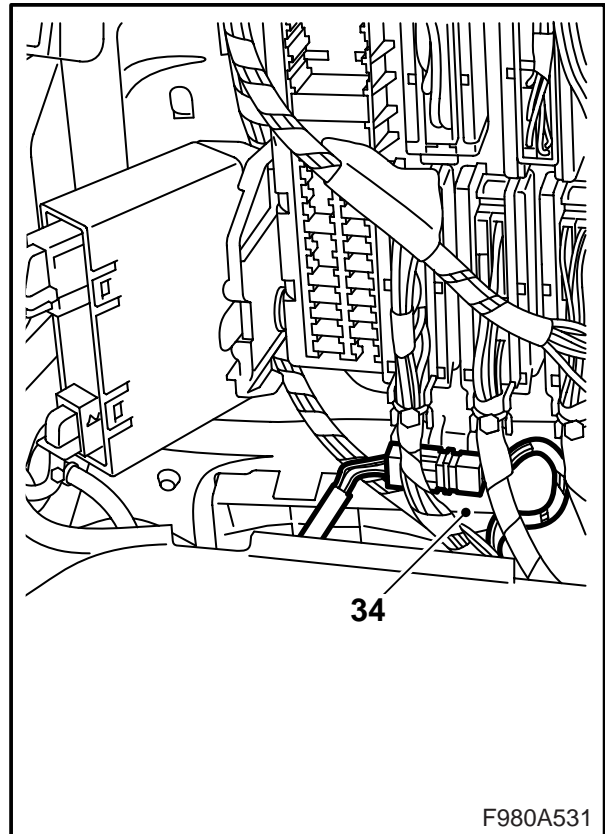
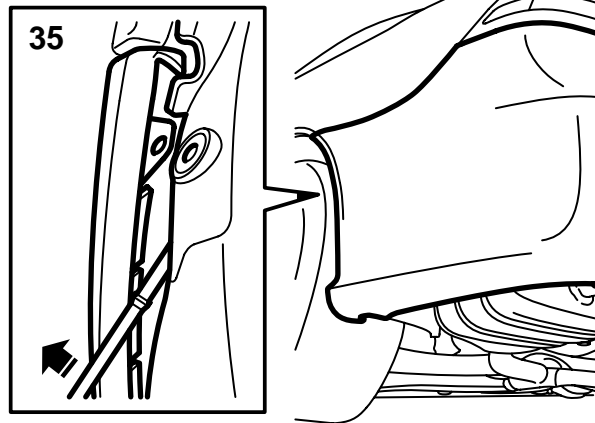
33.5 Saw from the outside of the bumper skirt as per the marking (D).

WARNING

Use of a saw and knife entails a risk of injury. Exercise caution when cutting. Check that the bumper shell is stably positioned before beginning to cut. Use personal protection equipment, such as protective gloves, safety goggles and hearing protection.

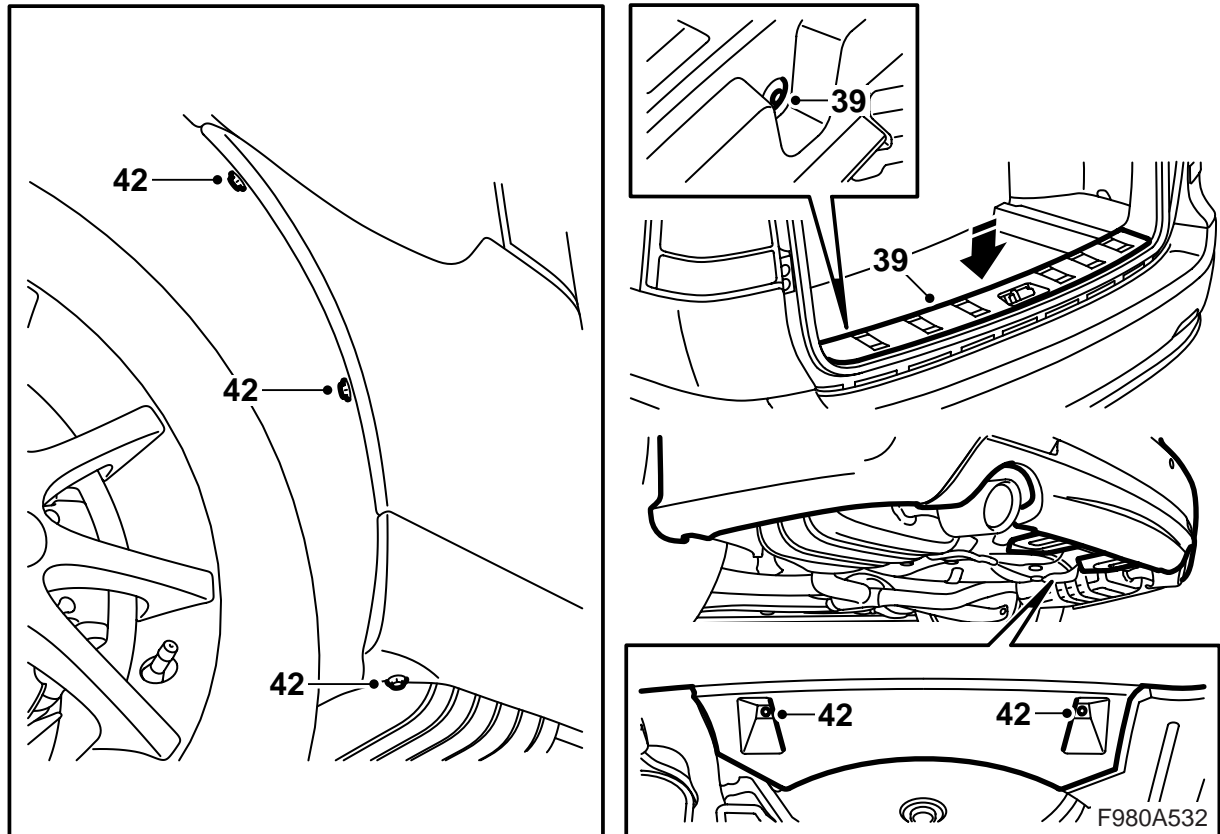
Note

Adapt the cut-out to the towbar after installation if necessary. Check that there is a small amount of play between the towbar and bumper.

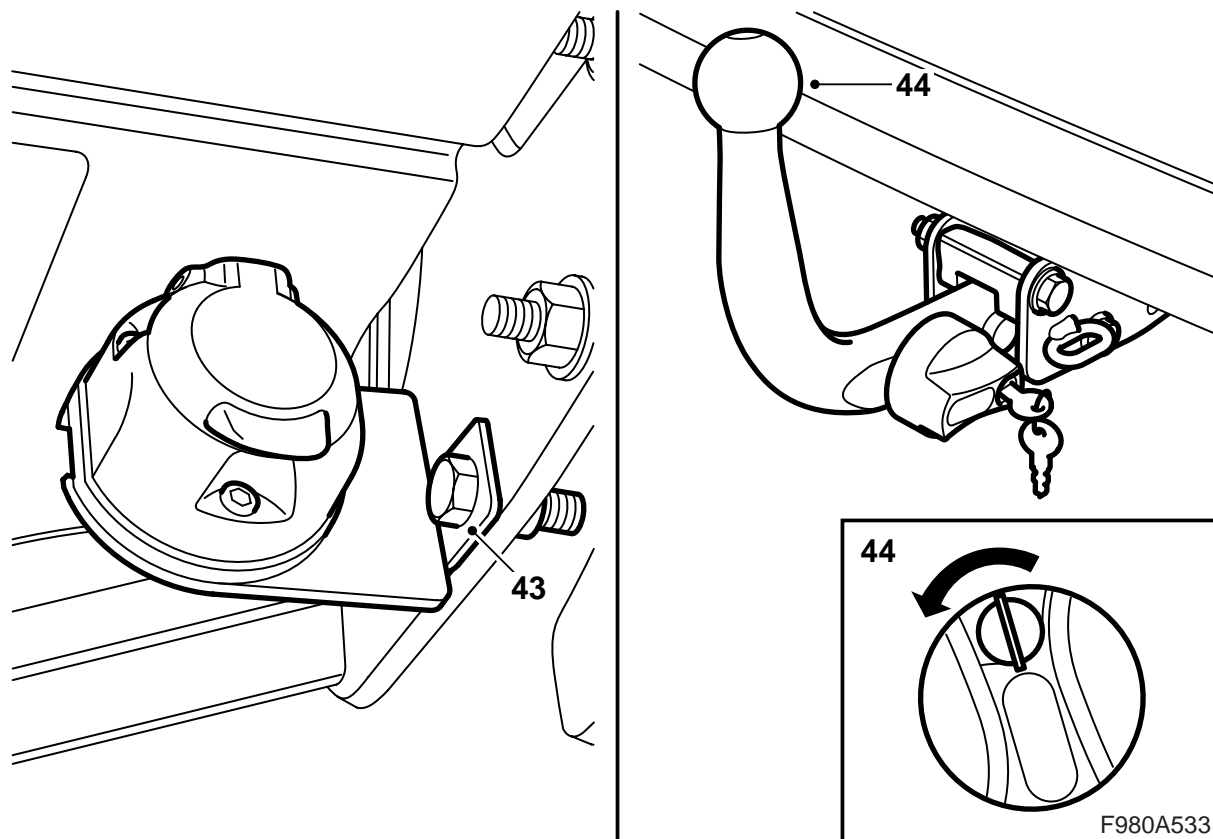


F980A531

- 34 **SPA:** Insert and plug in the connector.
- 35 Fit in the two tabs of the bumper shell under the holders and the outer corners between the wheel arch liner and the mounting points at the wheel arches. Press the bumper shell into place.
- 36 **M06-07 with subwoofer:** Fold down and screw in the subwoofer.
- 37 Fit the floor section on the left-hand side.
- 38 Fold down the floor.

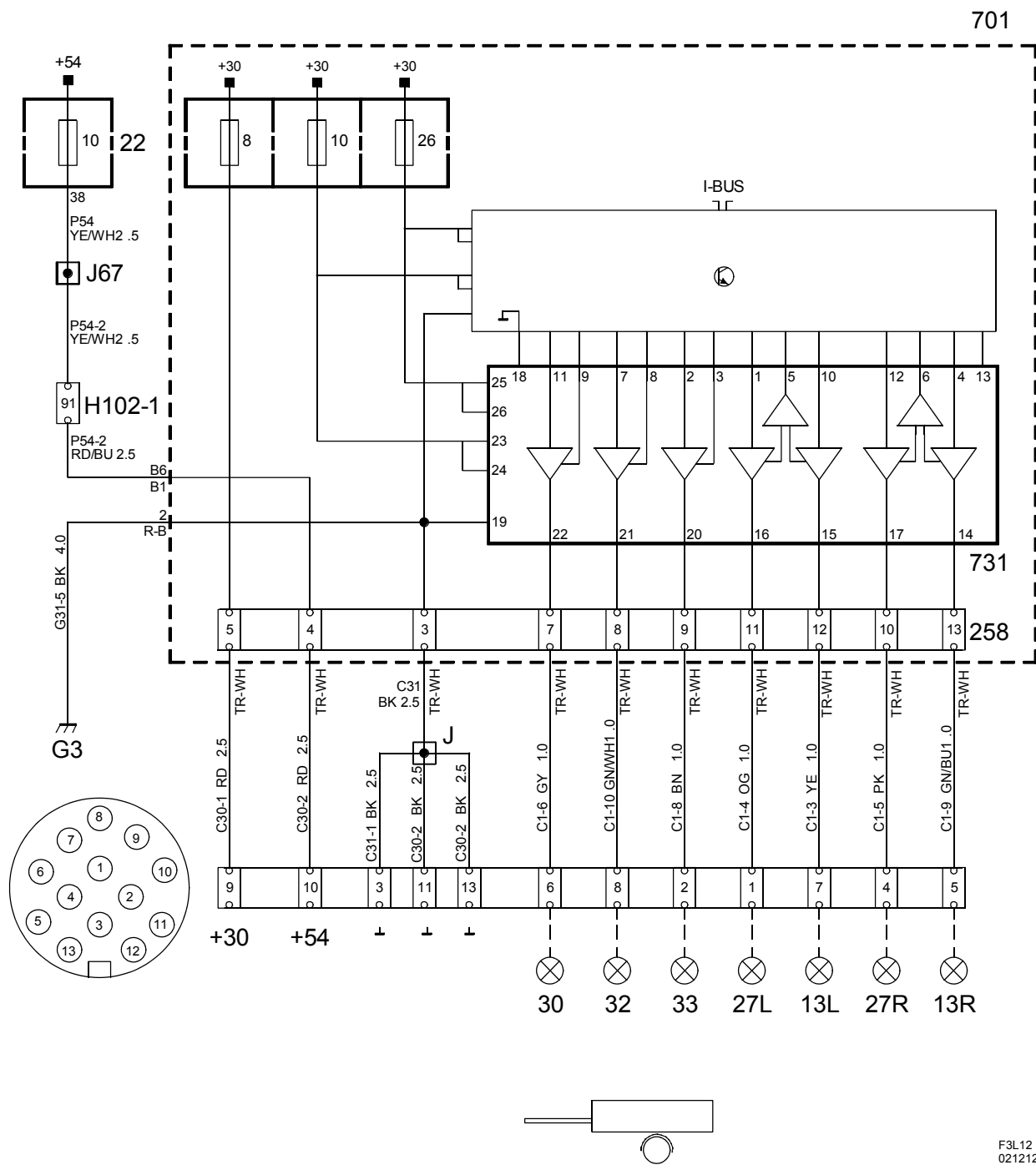


- 39 Fit the scuff plate.
- 40 Fit the hatch in the side trim.
- 41 Raise the car.
- 42 Fit the two nuts holding the rear bumper air shield to the body and fit the screws holding the bumper shell to the wheel housings.



- 43 Fit the connector holder plate with connector to the towing bracket.
- 44 Fit the ball unit to the body bracket.
- 45 Lower the car and check the bumper alignment. Adjust if necessary.
- 46 Carefully remove the user instruction page and give it to the customer together with the installation instructions.

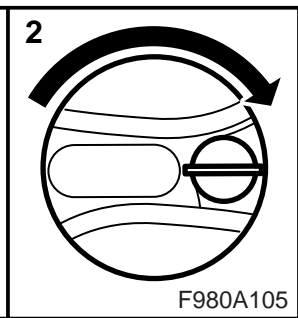
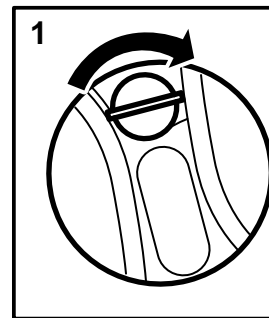
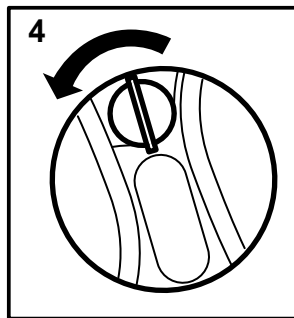
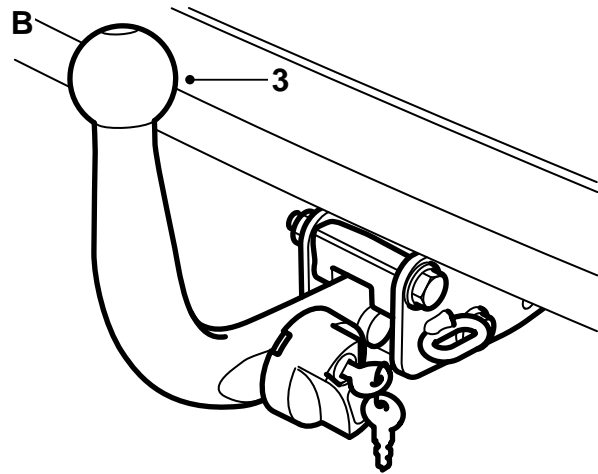
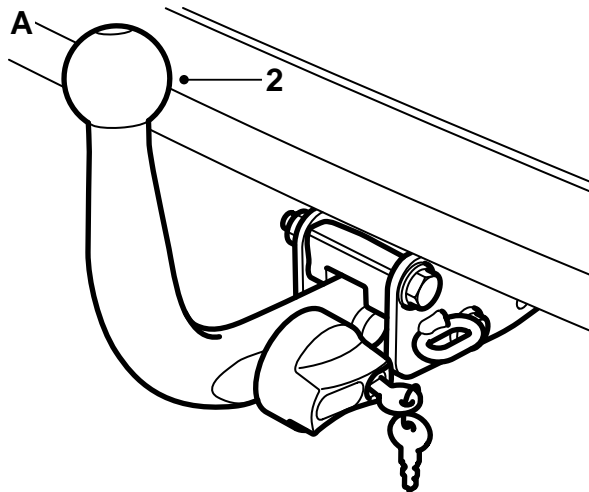
Wiring diagram



F3L12
021212

List of components

No.	Name position
Components	
13	Lamp, parking light, trailer
22	Main dashboard fuse box, on the short side of the instrument panel near the left-hand door
27	Lamp, direction indicators, trailer
30	Lamp, brake lights, trailer
32	Lamp, reversing lights, trailer
33	Lamp, rear fog lights, trailer
258	Connector, towbar wiring harness, in the luggage compartment electrical distri- bution box
701	Luggage compartment electrical distribution box, on the wall behind the left rear wheel hous- ing
731	Trailer control module, in the luggage compartment electrical distri- bution box
102-pin connector	
H102-1	Lower left-hand A-pillar
Crimp connections	
J	Approx. 160 mm from the 13-pin connector
J67	LHD: Approx. 150 mm from branching point front left floor lighting towards connector H102-1 RHD: Approx. 50 mm from branching point grounding point G40 towards grounding point G41
Grounding points	
G3	In the luggage compartment below the left- hand light cluster



F980A105

User instructions
(keep in the car's Owners Manual)

⚠ WARNING

To ensure that the towbar is coupled **correctly and safely**:

- The coupling mechanism must **always** be well lubricated. Use a base oil with anti-corrosion properties and with a wide temperature range. We recommend that you contact an authorised Saab workshop regarding which lubricant is appropriate.
- **Always** fit the protective cover when the towball unit is not attached.
- It must **always** be possible to detach and attach the towball unit without it jamming.

Important

If the trailer is equipped with extra electrical equipment in addition to normal outer lighting (e.g. inner lighting or fan) and connected to the car via the trailer's connector, the trailer must be equipped with a 13-pin connector (installed according to ISO 11446) in order to allow for a separate power supply.

Cars with SPA: The SPA system will compensate for the towbar in measuring the distance behind the car irrespective of whether the ball unit is fitted.

A. Fitting the ball unit

- 1 Remove the protective cover.
- 2 Fit the ball unit into the bracket.
- 3 Press the ball unit forward and downward so that the knob is automatically turned anticlockwise and the lock is activated.
- 4 Turn the key anticlockwise and remove it.

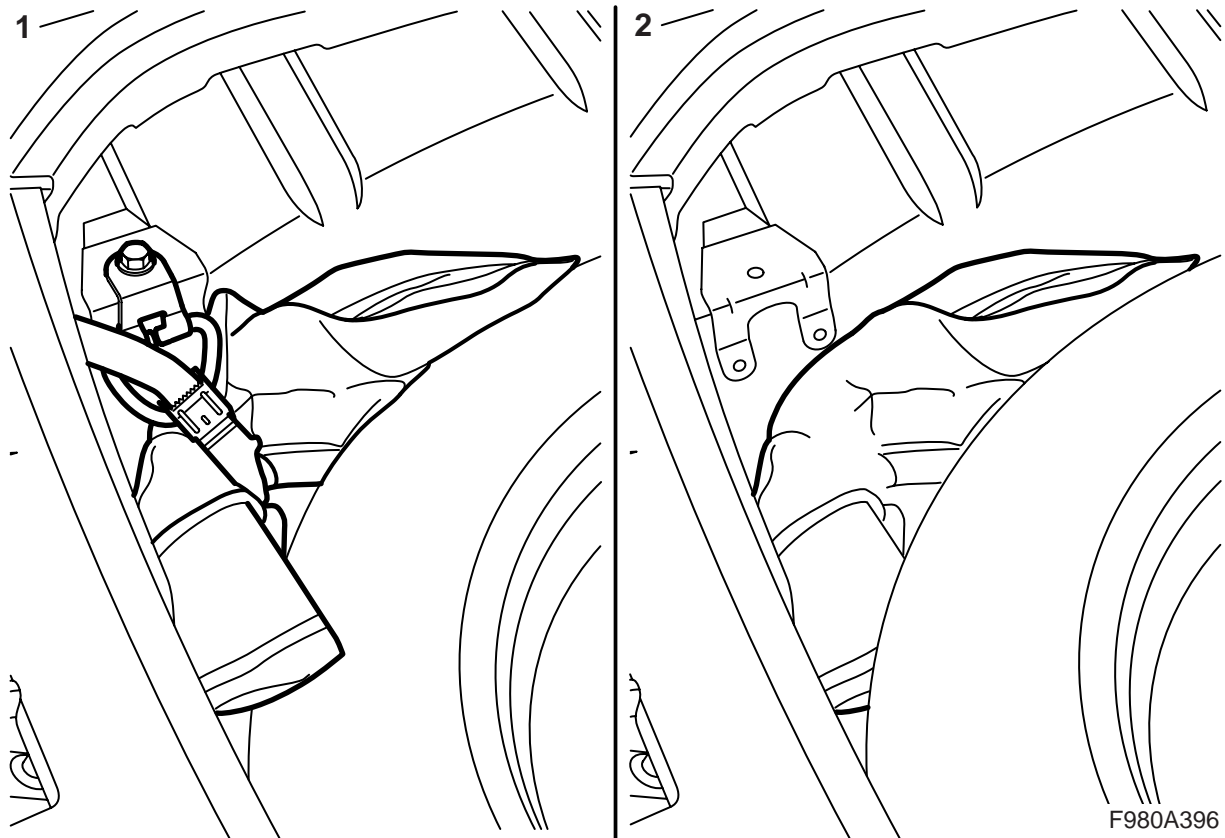
⚠ WARNING

Green should be the only colour shown in the socket at the knob.

Tug on the ball unit to make sure it is properly secured.

B. Removing the ball unit

- 1 Insert the key in the lock and turn it clockwise.
- 2 Press in the knob and turn it clockwise until it meets resistance and an audible "click" is heard.
- 3 Lift the ball unit up and pull it rearwards.
- 4 Fit the protective cover.
- 5 The removed ball unit must be stored in the spare wheel well in accordance with separate instructions.



F980A396

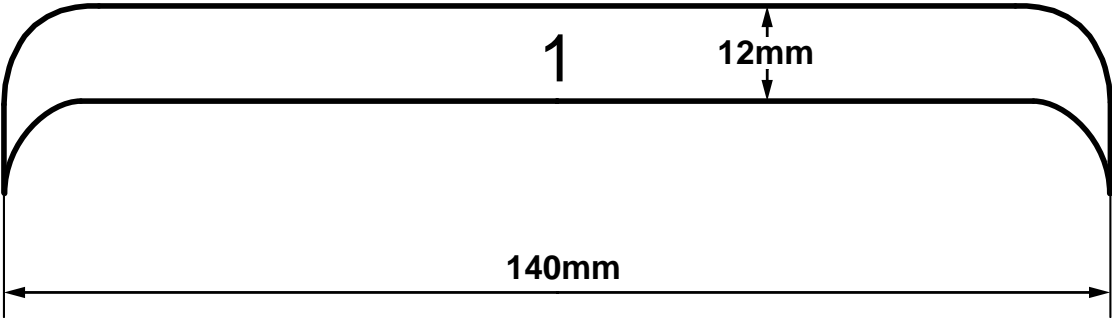
Important

M06-07 without subwoofer (1): Whenever the ball unit is removed it must be strapped into the eyelet in the left-hand rear corner of the spare wheel well.

M06-07 with subwoofer (2): Whenever the ball unit is removed it must be stored in the left-hand rear corner of the spare wheel well. The subwoofer must be tightened.

M08 with or without subwoofer (1): Whenever the ball unit is removed it must be strapped into the eyelet in the left-hand rear corner of the spare wheel well.

Template 1



F980A514

Template 2

