

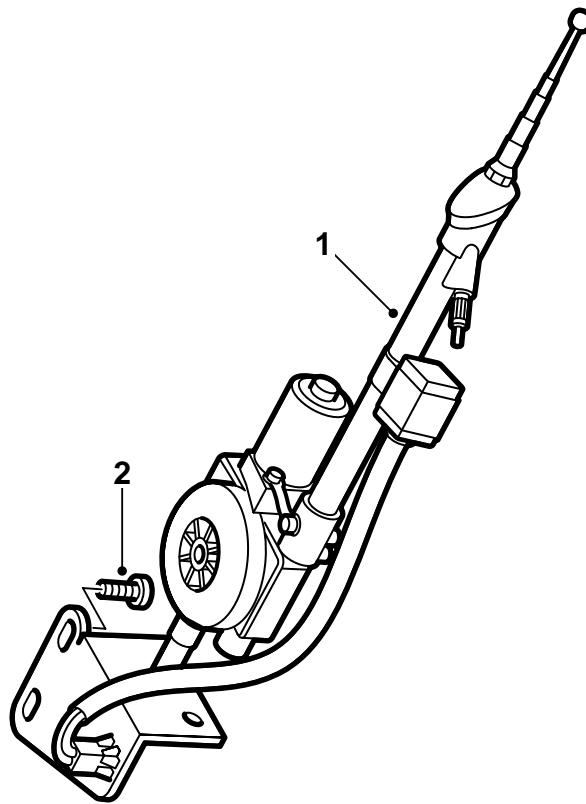


**MONTERINGSANVISNING · INSTALLATION INSTRUCTIONS
MONTAGEANLEITUNG · INSTALLATIONS DE MONTAGE**

Saab 900 M94-, Saab 9-3

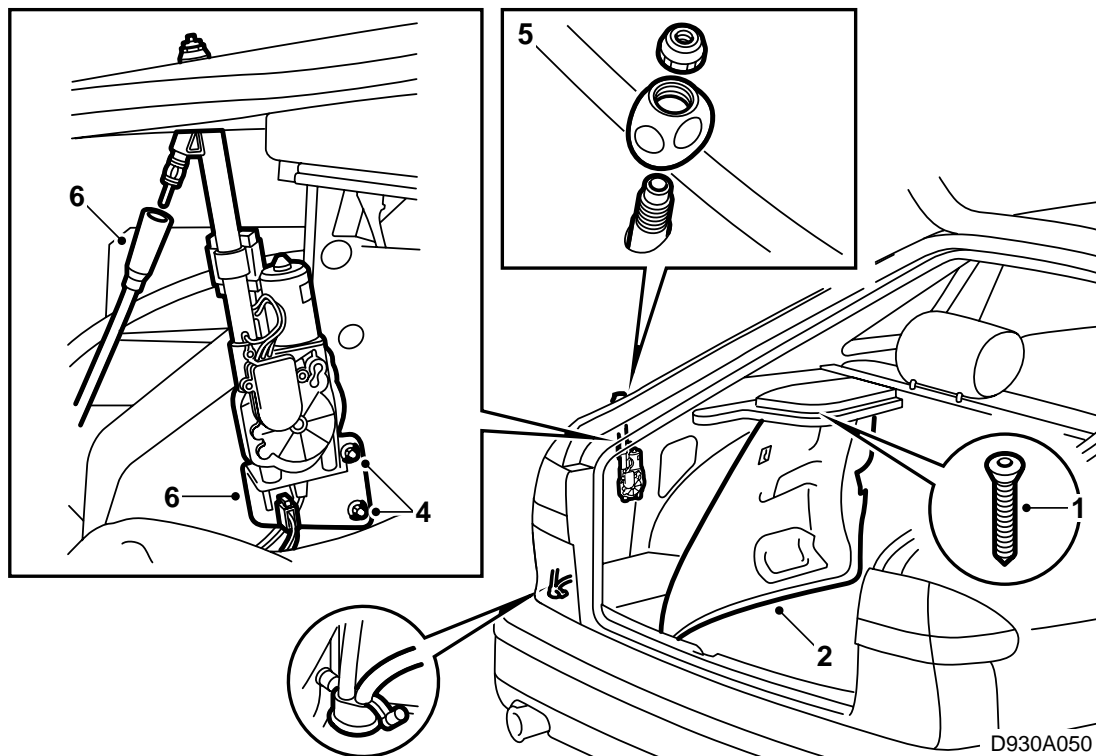
Electric antenna

Accessories Part No.	Group	Date	Instruction Part No.	Replaces
400 101 788	3:67-25	Aug 98	45 18 544	75 05 70 May 93



D930A049

- 1 Electric antenna
- 2 Screw (2x)



- 1 Dismantle the left-hand loudspeaker grille and frame.
- 2 Remove the left-hand side trim.
- 3 Remove the rubber plug.
- 4 Insert the antenna into the hole and secure it with 2x screws.
- 5 Fit the antenna base and nut.
Tightening torque 3.0 Nm (2.2 lbf ft).
- 6 Connect the antenna cable and electric wiring.
- 7 Check the function.
- 8 Refit dismantled parts.