



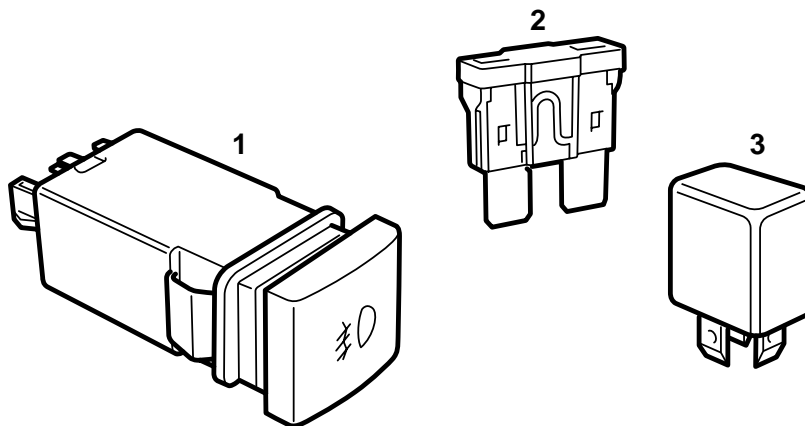
SAAB

**MONTERINGSANVISNING · INSTALLATION INSTRUCTIONS
MONTAGEANLEITUNG · INSTALLATIONS DE MONTAGE**

Saab 900 M95-, Saab 9-3

Connecting fog lights

Accessories Part No.	Group	Date	Instruction Part No.	Replaces
400 105 474	3:51-28	Dec 98	86 87 709	86 87 709 Dec 94

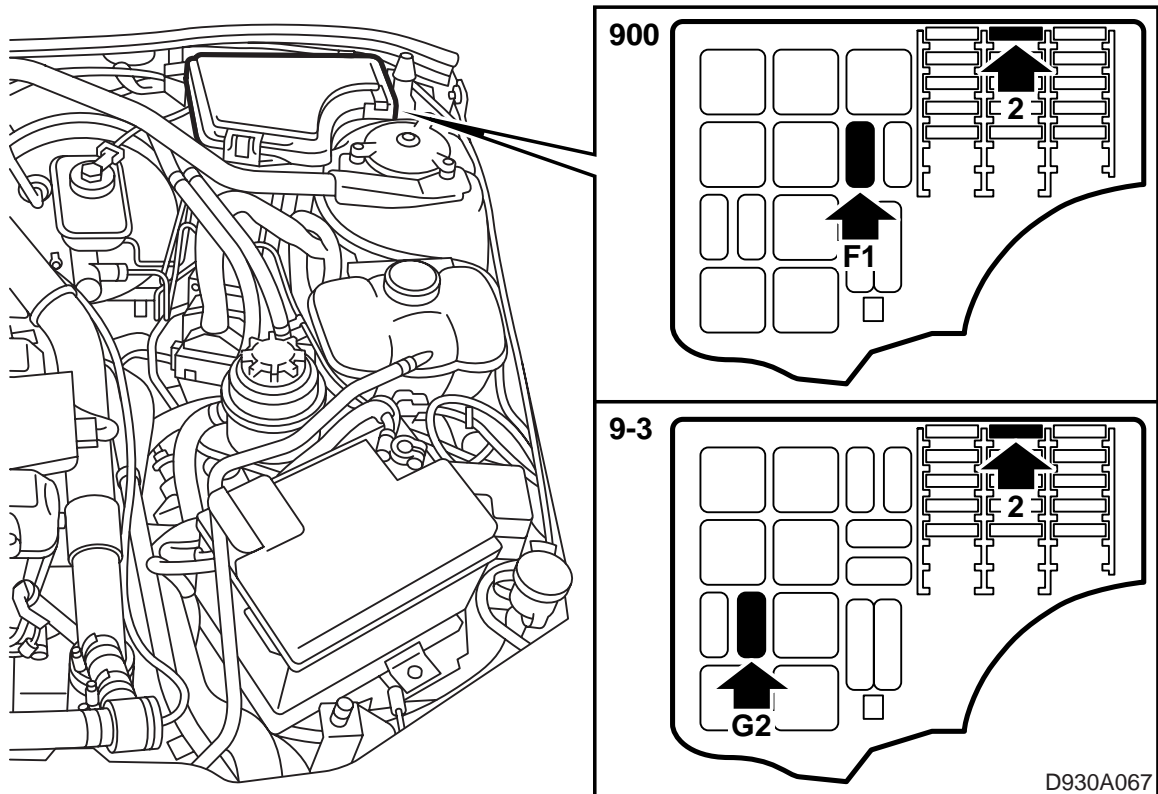


D930A072

1 Switch, "Fog lights"

2 Fuse 15A

3 Relay



- 1 Disconnect the negative battery terminal to prevent short circuits.
- 2 Insert the fuse in position 2 in the main fuse box in the engine bay.
- 3 Fit the relay in position **F1** (on Saab 900 M95-96) or **G2** (on Saab 900/9-3 M97-98) in the main fuse box in the engine bay.
- 4 Replace the dummy button (to the left of the steering wheel on LHD or to the right on RHD) with the switch marked with a "lamp".
- 5 Check the operation.