



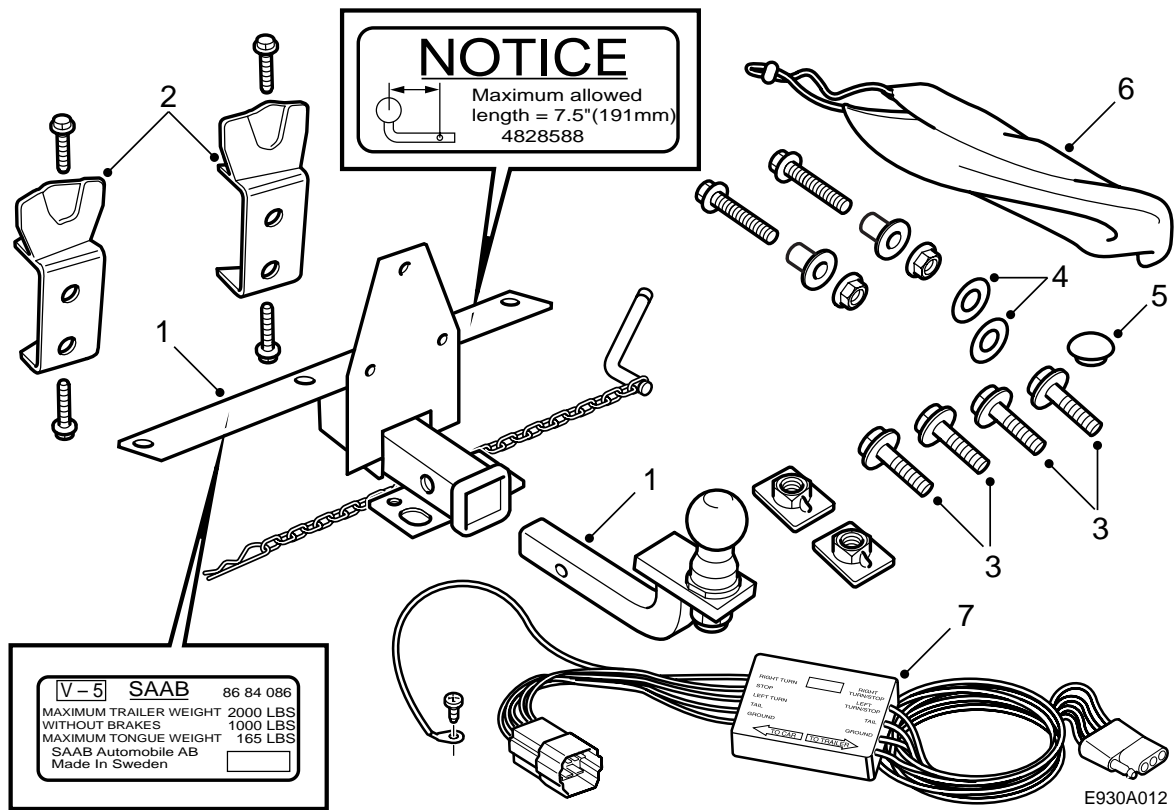
SAAB

**MONTERINGSANVISNING · INSTALLATION INSTRUCTIONS
MONTAGEANLEITUNG · INSTALLATIONS DE MONTAGE**

Saab 9-5

Towbar

Accessories Part No.	Group	Date	Instruction Part No.	Replaces
400 105 797	8:60-26	Jul 98	48 25 345	48 25 345 Apr 97



- 1 Towing attachment
- 2 Reinforcement
- 3 Set of bolts
- 4 Seal
- 5 Rubber plug
- 6 Protective bag
- 7 Wiring harness with diode box

Note

Always check the national legal requirements and regulations applicable to fitting a towbar. Make sure that they are complied with.

Maximum permissible trailer weight:

Braked trailer: 910 kg (2000 lbs)

Trailer without brakes: 455 kg (1000 lbs).

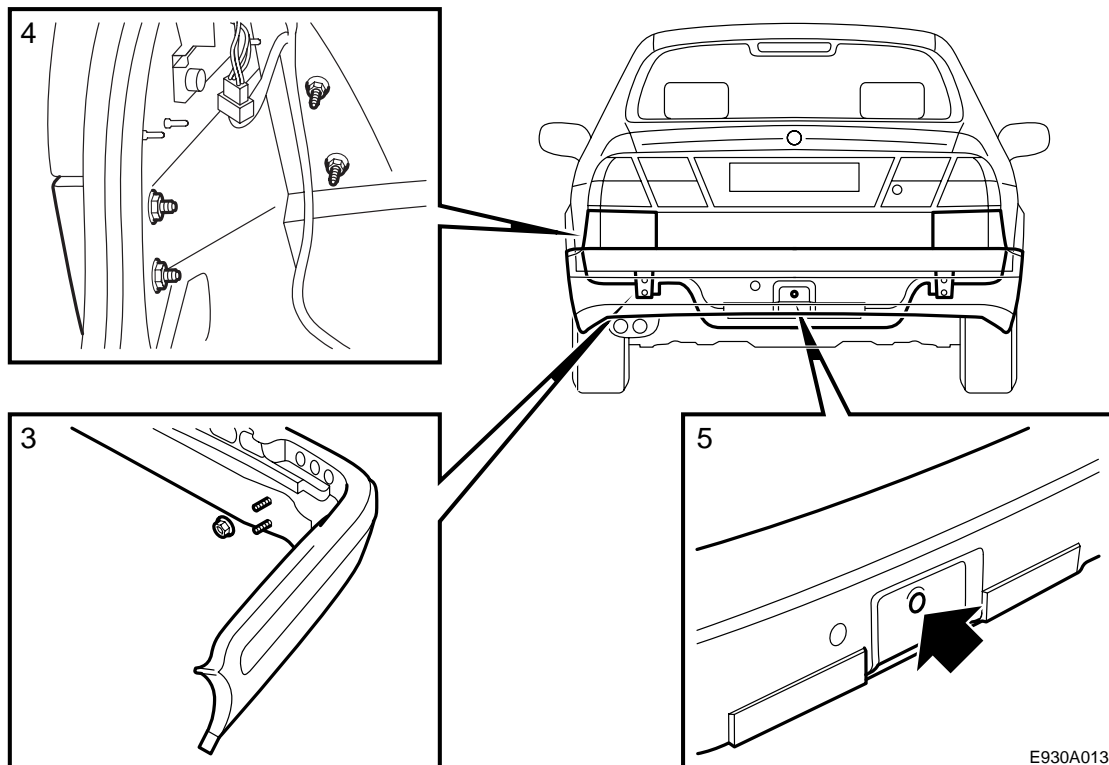
Maximum permissible weight on towing ball: 75 kg

Weight, complete: 9,8 kg (21.5 lbs)

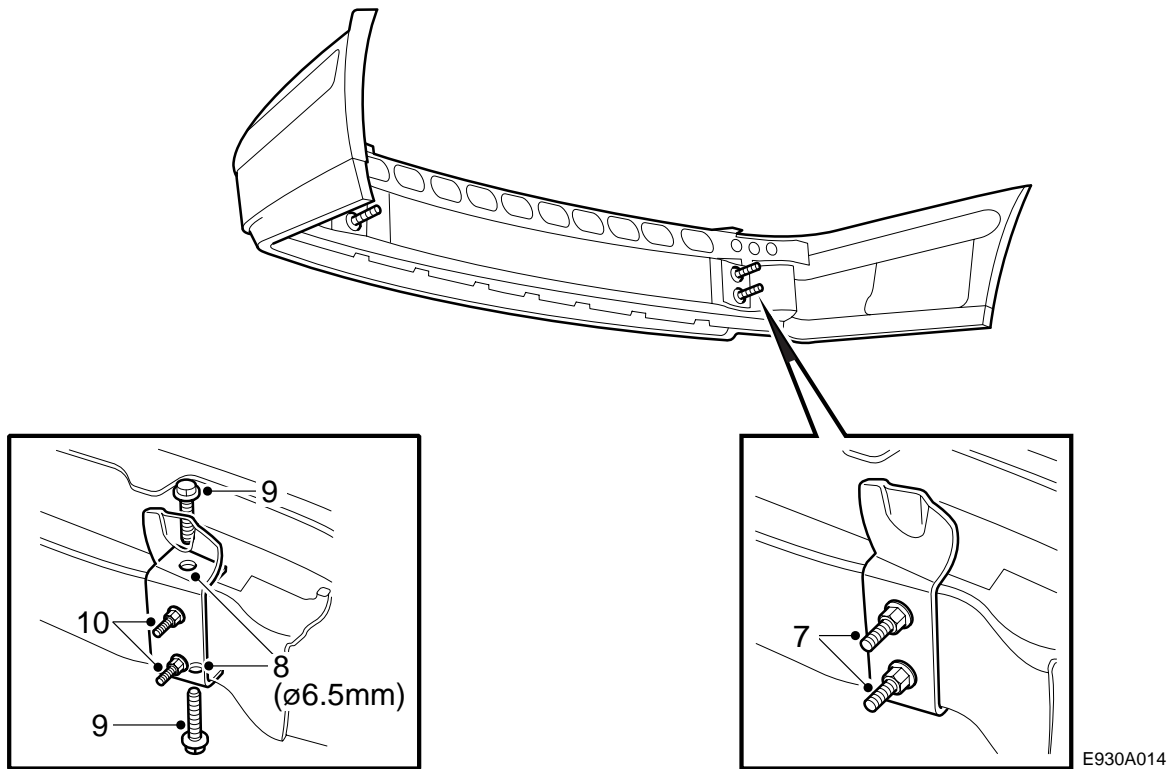
The trailer towing unit has been designed and tested in accordance with testing standard V-5 and is adapted for Class 1.



The wiring harness must be connected as described in these instructions. This is mandatory. If connected differently, the car's electronic systems could be adversely affected.

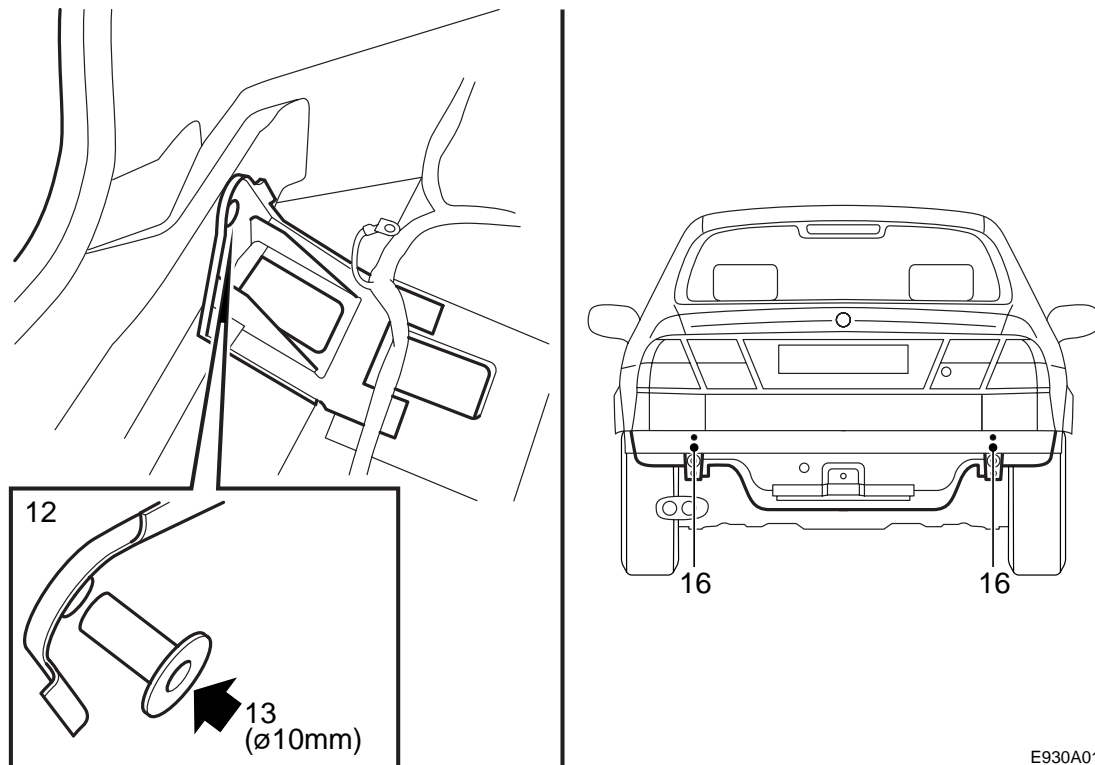


- 1 Remove the luggage compartment's sill scuff plate.
- 2 Remove the right-hand and left-hand side trim in the luggage compartment.
- 3 Remove the bumper.
- 4 Remove the corner fill-in panels under the rear light clusters.
- 5 Remove the towing eye and fit the rubber plug.



E930A014

- 6 Remove the spacers from the bumper plate and fit the reinforcement pieces in their place. The reinforcement pieces are marked R for right-hand and L for left-hand mounting.
- 7 Tighten the four bumper retaining nuts to secure the reinforcement pieces.
- 8 Drill the four holes in the bumper plate using a 6.5mm drill bit.
- 9 Fit the Taptite screws.
Tightening torque 25 Nm (20 lbf ft).
- 10 Remove the nuts.



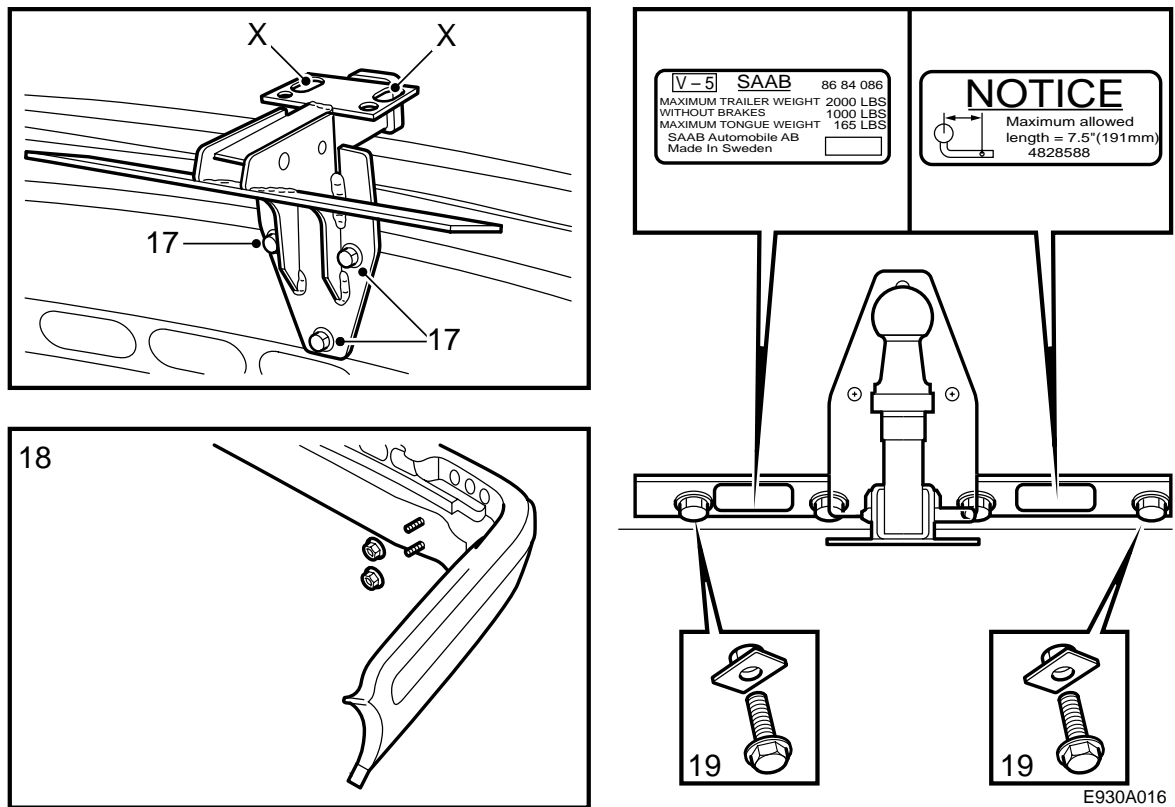
E930A015

- 11 Scrape off the sealant from the body where the bumper reinforcement will make contact, position the bumper and fit it to the body with the top two nuts.
- 12 Press the sleeves into the holes in the luggage compartment.
- 13 Drill 10 mm holes in the sleeves, the rear end panel and the reinforcement.

Important

Take care not to damage the car's wiring harness.

- 14 Remove the bumper and clean the luggage compartment, removing all the drillings and swarf.
- 15 Deburr the holes and remove any loose cuttings and flakes of paint.
- 16 Fit the seals onto the body (self-adhesive) and apply cavity sealant Terotex HV 400 (part no. 30 15 930) to the interior surfaces. Apply anti-corrosion agent to the surfaces from which the body sealant was scraped with it.
- 17 Fit the selected wiring as described in the instructions supplied with the wiring kit.



X Eyebolt for fastening the trailer/caravan safety chain.

17 Fit the towing attachment to the bumper.

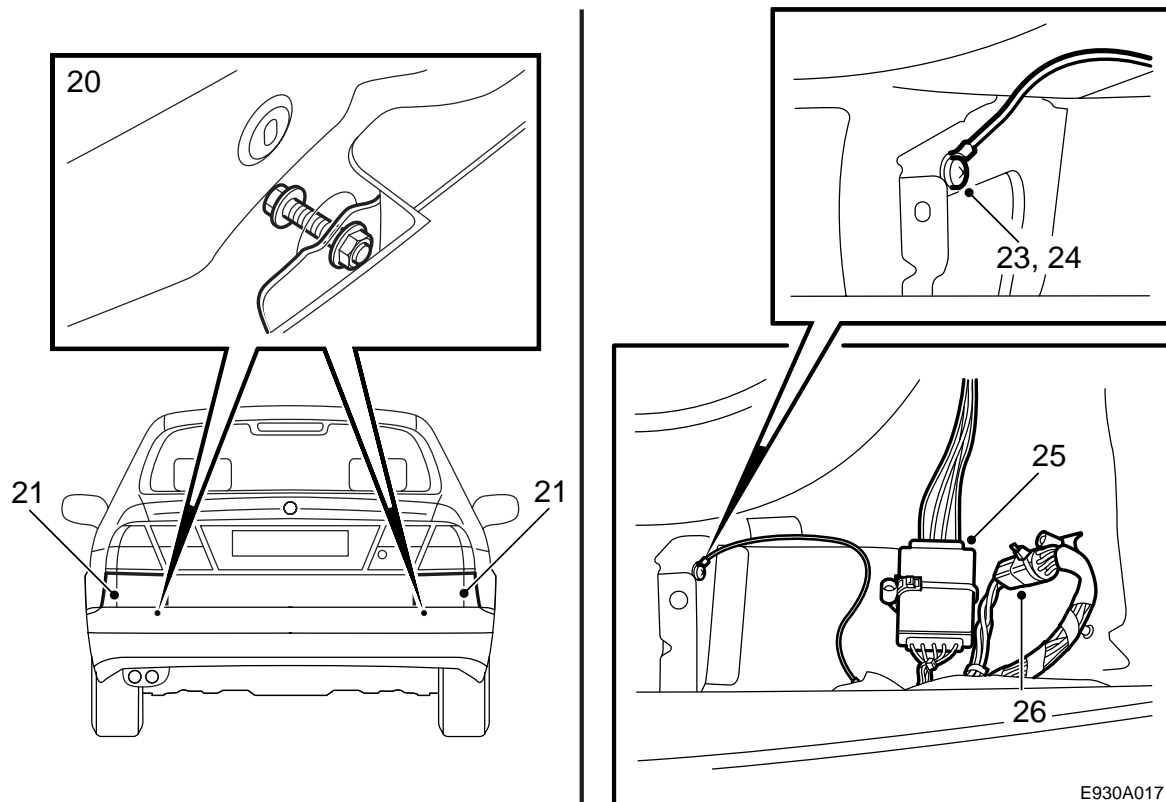
Tightening torque 40 Nm (30 lbf ft).

18 Position the bumper and fit it on the car by means of four nuts.

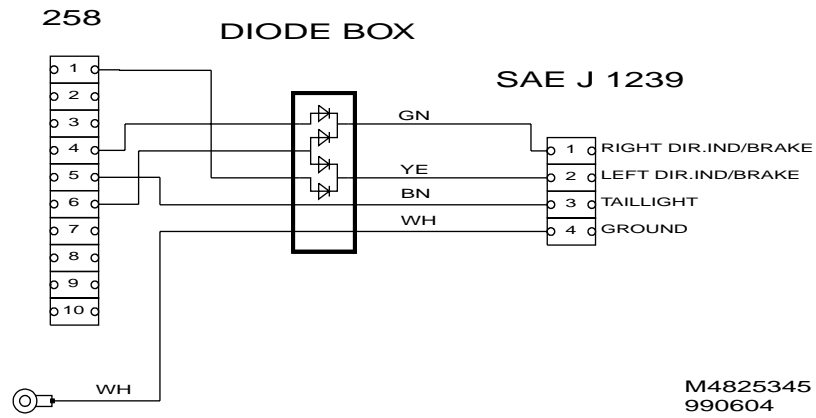
Tightening torque 40 Nm (30 lbf ft).

19 Fit the bolts and nut plates securing the towbar to the body.

Tightening torque 40 Nm (30 lbf ft).



- 20 Bolt the reinforcement pieces to the car.
Tightening torque 40 Nm (30 lbf ft).
- 21 Refit the corner fill-in panels.
Tightening torque 5 Nm (3.7 lbf ft).
- 22 Refit the right-hand and left-hand side trim in the luggage compartment.
- 23 Lift up the luggage compartment floor and drill a 5.0 mm hole in the right-hand reinforcement plate, as shown.
 Scrape off the paint around the drilled hole.
- 24 Bolt the ground cable of the wiring harness to the reinforcement plate. Do this in such a way that the cable does not cover the hole in the reinforcement plate. Run the ground cable under the diode box and secure it to the floor with tape.
- 25 Press the wiring harness's diode box onto the right-hand weld bolt on the floor, as shown.
- 26 Plug the wiring harness connector into the car's connector.
- 27 Refit the luggage compartment's sill scuff plate.
- 28 Place the fitting instructions in the car. When the ball unit is removed it should be kept in the protective bag.



Wiring diagram, wiring harness with diode box

The table refers to connector 258 on the car.

Pin nr	English
1	Left-hand direction indicator
2	Not in use
3	Not in use
4	Right-hand direction indicator
5	Right-hand rear light
6	Brake lights
7	Not in use
8	Not in use
9	Not in use
10	Not in use