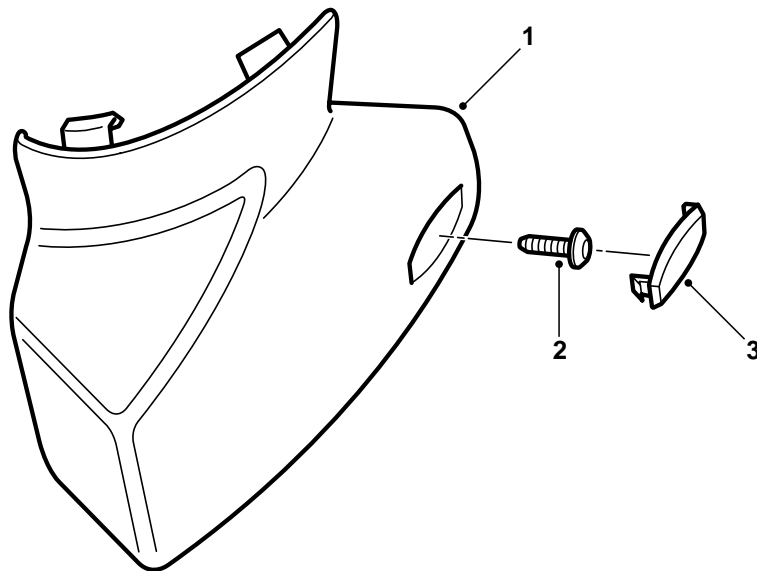


**SAAB****MONTERINGSANVISNING · INSTALLATION INSTRUCTIONS
MONTAGEANLEITUNG · INSTALLATIONS DE MONTAGE**

Saab 9-3

Telephone console

Accessories Part No.	Group	Date	Instruction Part No.	Replaces
400 110 334 (LHD) 400 110 342 (RHD)	9:39-2	Jun 98	50 36 348	50 36 348 Jan 98

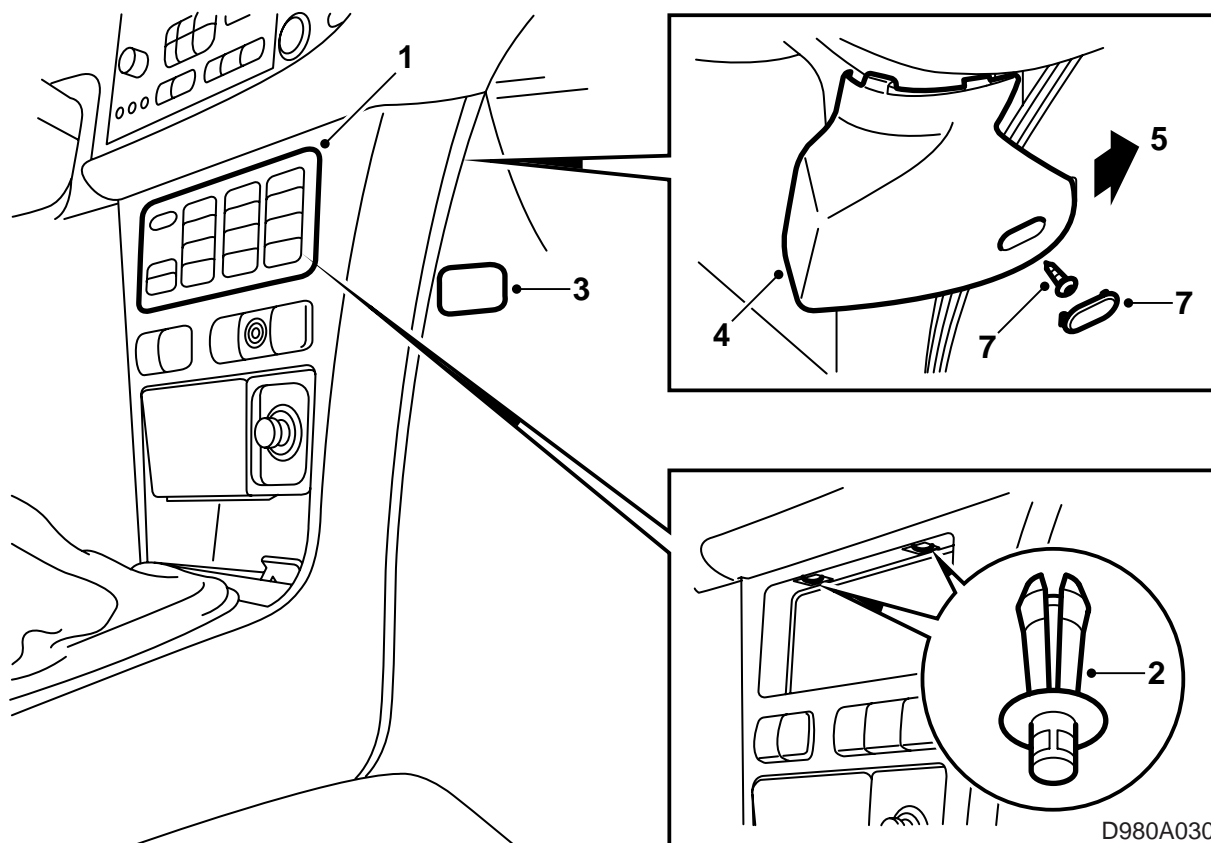


D980A029

- 1 Telephone console
- 2 Screw
- 3 Cover

Introduction

The console is fitted in the same way for both left and right-hand drive cars. However, the procedure does differ between cars with automatic climate control (ACC), see page 3, and cars with manual climate control (not ACC), see page 6.



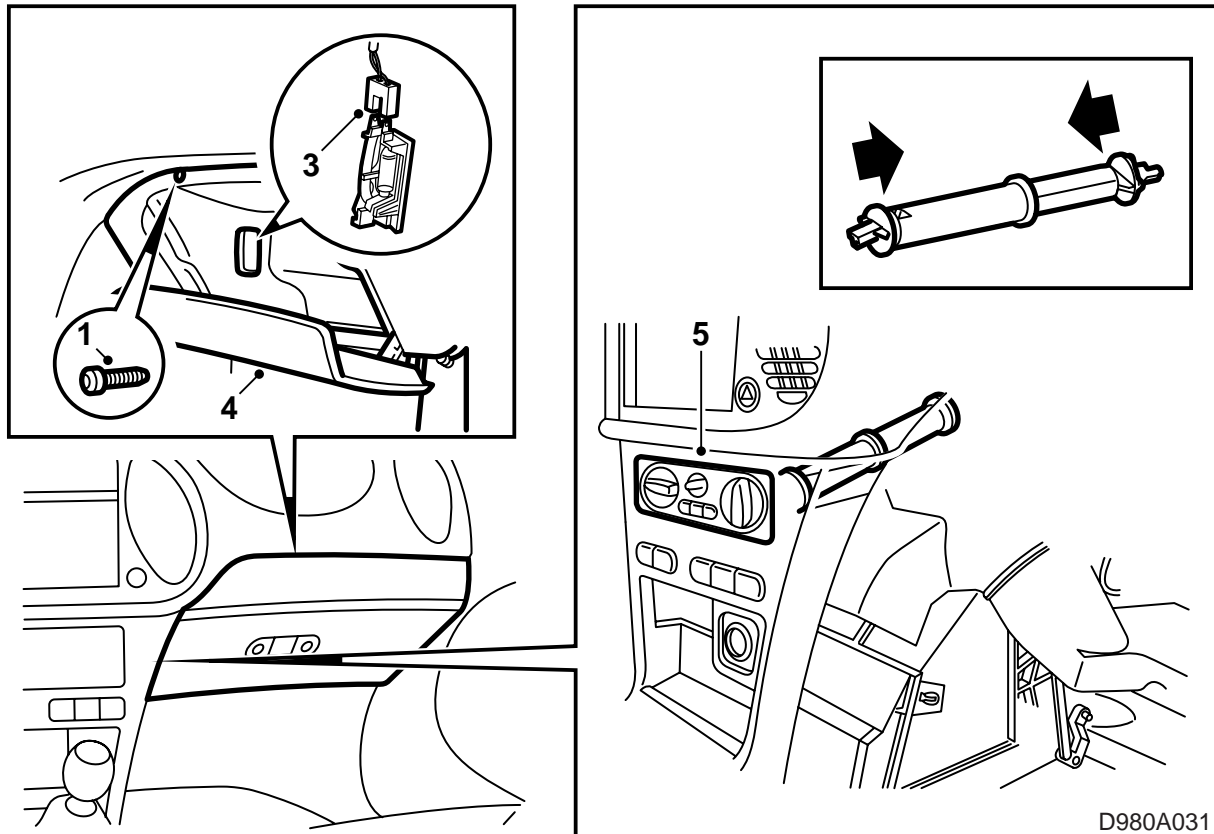
Cars with ACC

- 1 Remove the ACC panel from the centre console by undoing the two outer buttons under the ACC panel and pressing it out from behind.

Note

Protect the ACC panel and the centre console with a piece of cloth, for example, so that they are not damaged or scratched while fitting the telephone console.

- 2 Detach the centre console, which is fastened at the top to the dashboard with plastic clips. Use special tool 84 71 179.
- 3 Remove the cover in the side panel.
- 4 Drill holes in the telephone console if cables are to be used with the telephone. Hang the telephone console onto the centre console.
- 5 Press forward the centre console so that it snaps into the side panel.
- 6 Fasten the centre console with the two clips.
- 7 Screw on the telephone console and fit the cover over the screw.
- 8 Fit the ACC panel and the outer buttons under the panel.

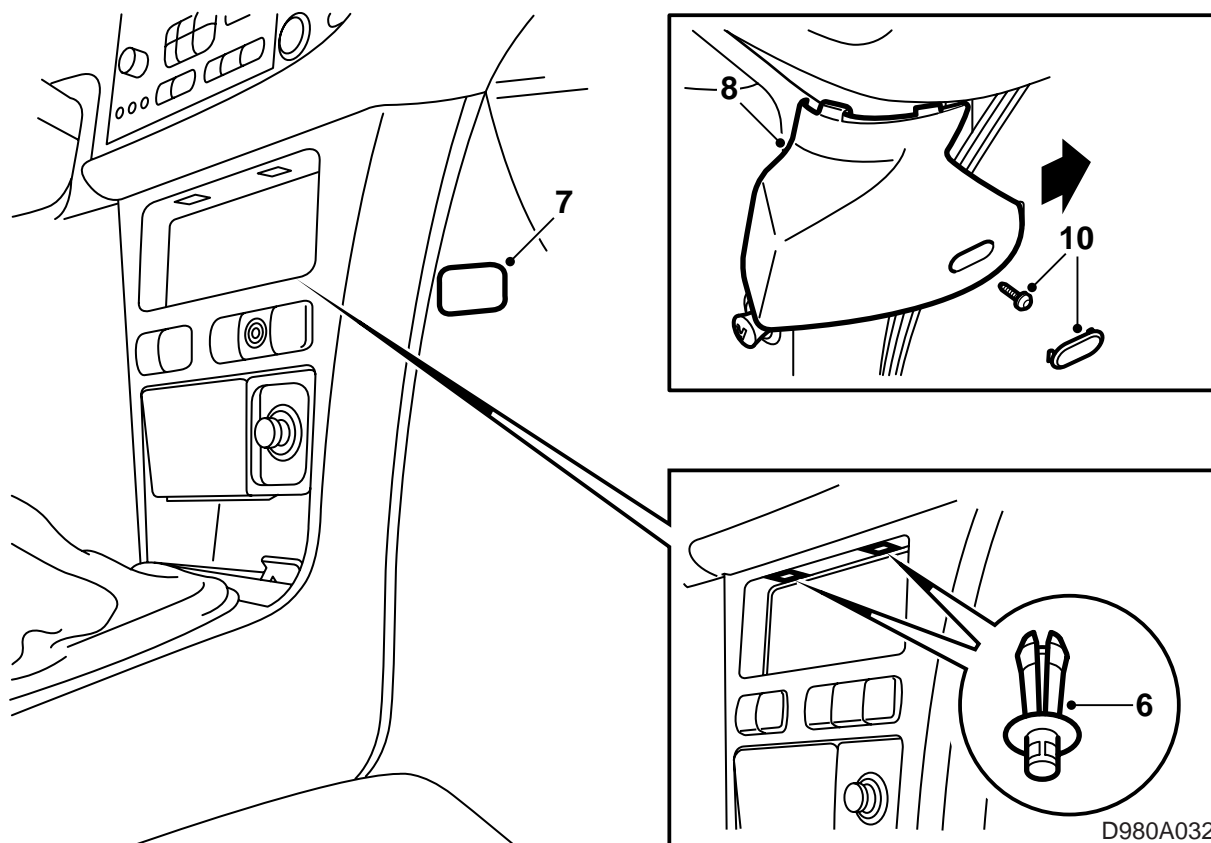


Cars without ACC

- 1 Open the glove box and remove the retaining screws.
- 2 Remove the other screws and retaining bolt as well as the expander rivet at the front and detach the snap fastener from the bulkhead bracket.
- 3 Pull out the glove box and unplug the connector for the glove box lamp.
- 4 Lift out the glove box so that the control panel is accessible.
- 5 Detach the control panel from the centre console by pressing it out from behind while pressing in the clips underneath the control panel. Remove the shaft to the ventilation knob from the control panel.

Note

Protect the control panel and the centre console with a piece of cloth, for example, so that they are not damaged or scratched while fitting the telephone console.



- 6 Detach the centre console, which is fastened at the top to the dashboard with plastic clips. Use special tool 84 71 179.
- 7 Remove the cover for the cables in the side panel.
- 8 Drill holes in the telephone console if cables are to be used with the telephone. Hang the telephone console onto the centre console and then press forwards so that the centre console snaps into the side panels.
- 9 Fit the centre console with the two clips.
- 10 Screw on the telephone console and fit the cover over the screw.
- 11 Fit the control panel and position the shaft into the ventilation knob.
- 12 Fit the glove box in reverse order.