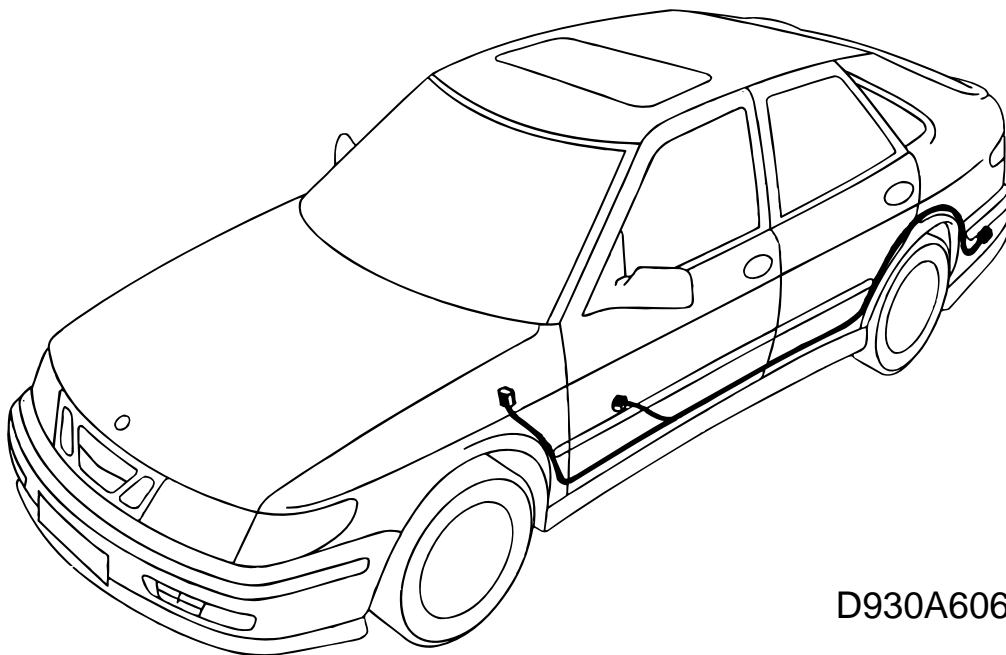


**SAAB****MONTERINGSANVISNING · INSTALLATION INSTRUCTIONS  
MONTAGEANLEITUNG · INSTALLATIONS DE MONTAGE**

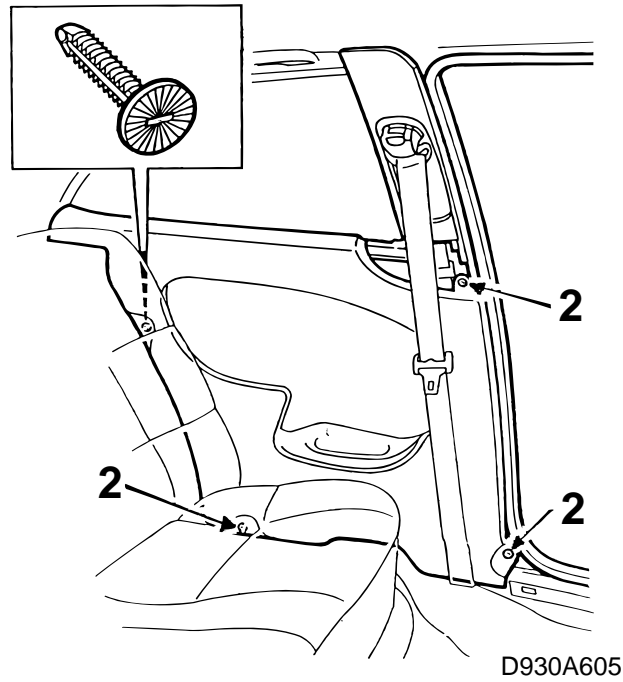
## Saab 9-3

Wiring harness, CD-changer

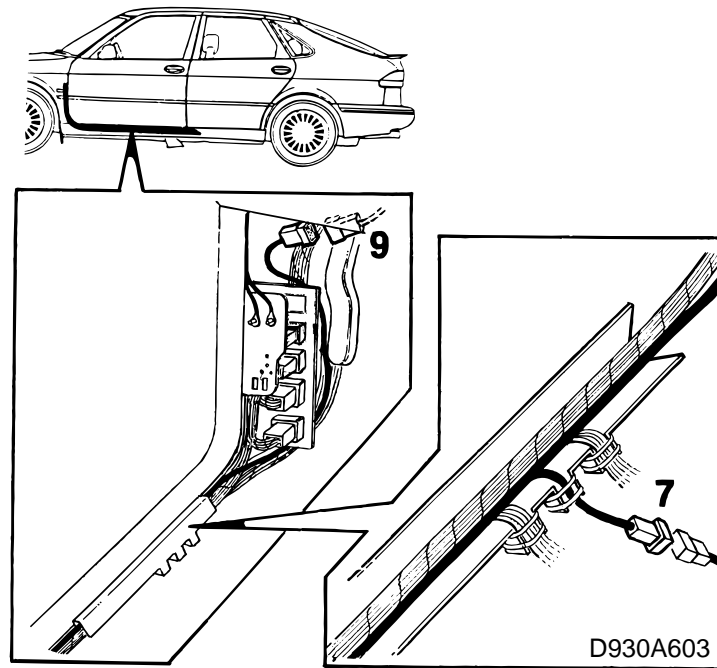
Accessories Part No.	Group	Date	Instruction Part No.	Replaces
400 111 738	9:36-11	Jun 98	86 90 612	86 90 612 May 98

**D930A606**

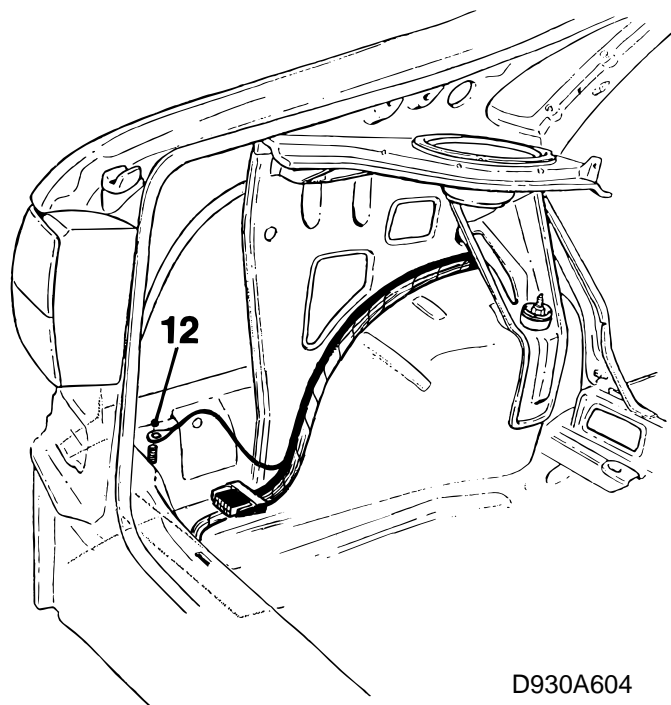
- 1 Wiring harness
- 2 Cable ties (8 pcs.)



- 1 Open the boot lid, loosen and fold out the rear left side upholstery in the luggage compartment.
- 2 Remove the left side upholstery under the rear window on the 3-door cars.
- 3 Remove the left front and rear scuff plate and the B-pillar upholstery.
- 4 Remove the lower panel. Remove the glove box on a RHD car.



- 5 Cut the middle cable tie around the wiring harness in the cable duct.
- 6 Lift up the floor mat and localise the 2-pin connector, remove the connector from its bracket.
- 7 Plug the 2-pin connector for the CD-changer harness into the connector in the car. Secure the connector.
- 8 Replace the cut cable ties with new ones around the wiring harness in the cable duct.
- 9 Plug in the 6-pin connector for the CD-changer to the connector in the car. It is located above the console for the connectors.



D930A604

- 10 Lay out the wiring harness for the CD-changer in the cable duct and pull it rearwards to the luggage compartment, follow the cable duct.
- 11 Fixate the CD-changer cable to the cable duct and secure with a cable tie.
- 12 Connect the CD-changer ground lead.
- 13 Refit removed parts.