

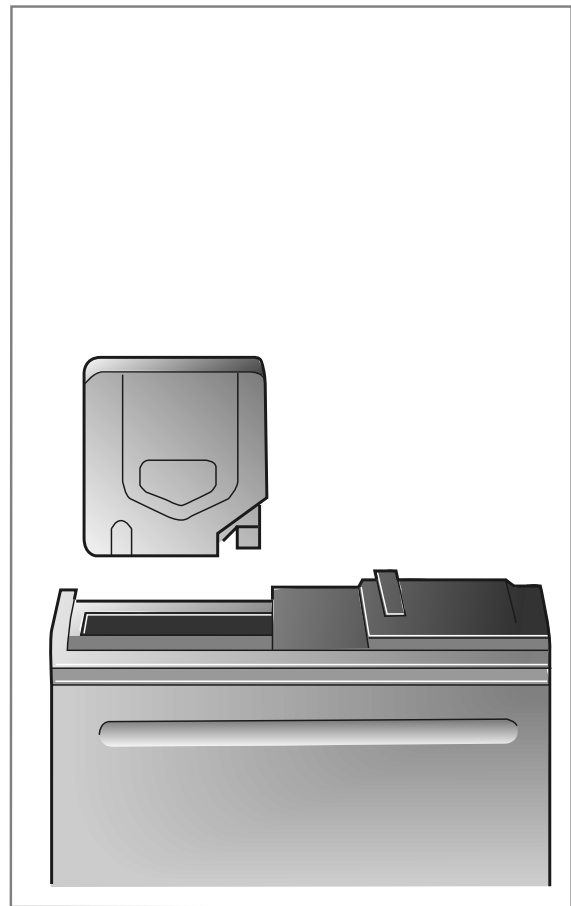
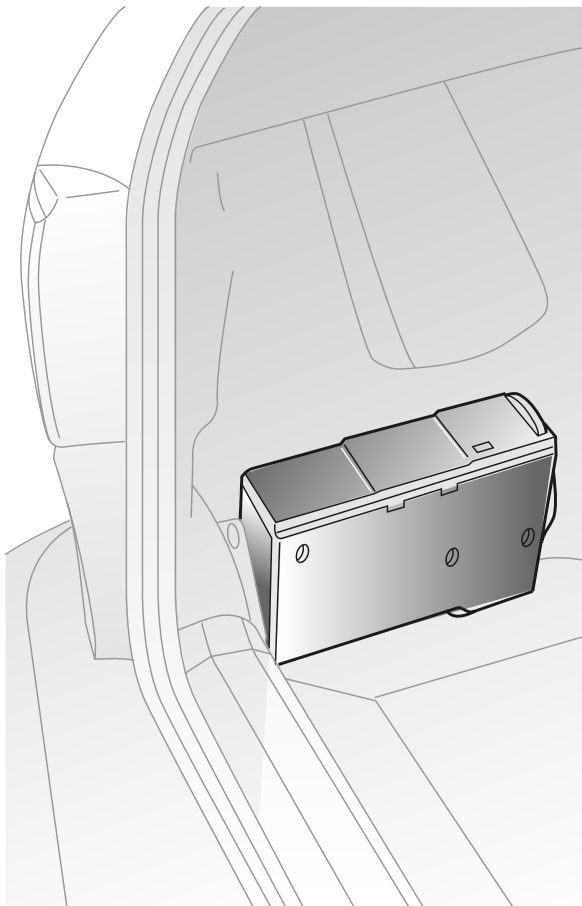


**MONTERINGSANVISNING · INSTALLATION INSTRUCTIONS
MONTAGEANLEITUNG · INSTRUCTIONS DE MONTAGE**

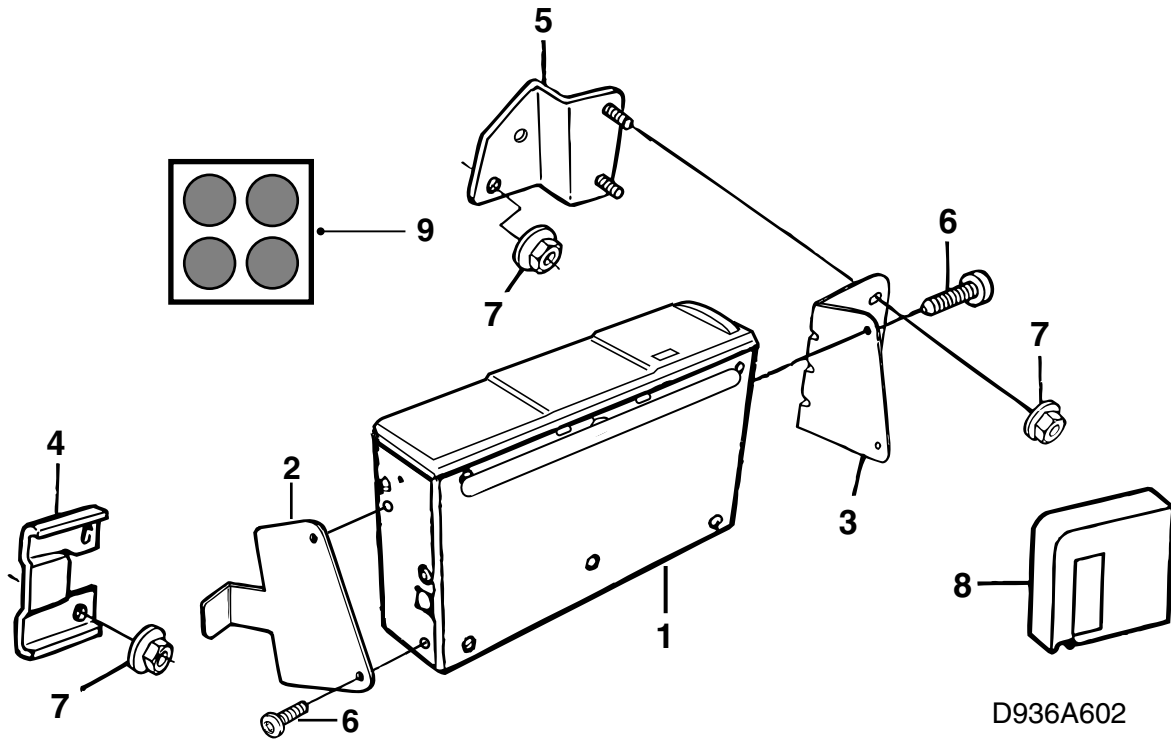
Saab 9-3 -M03

CD changer

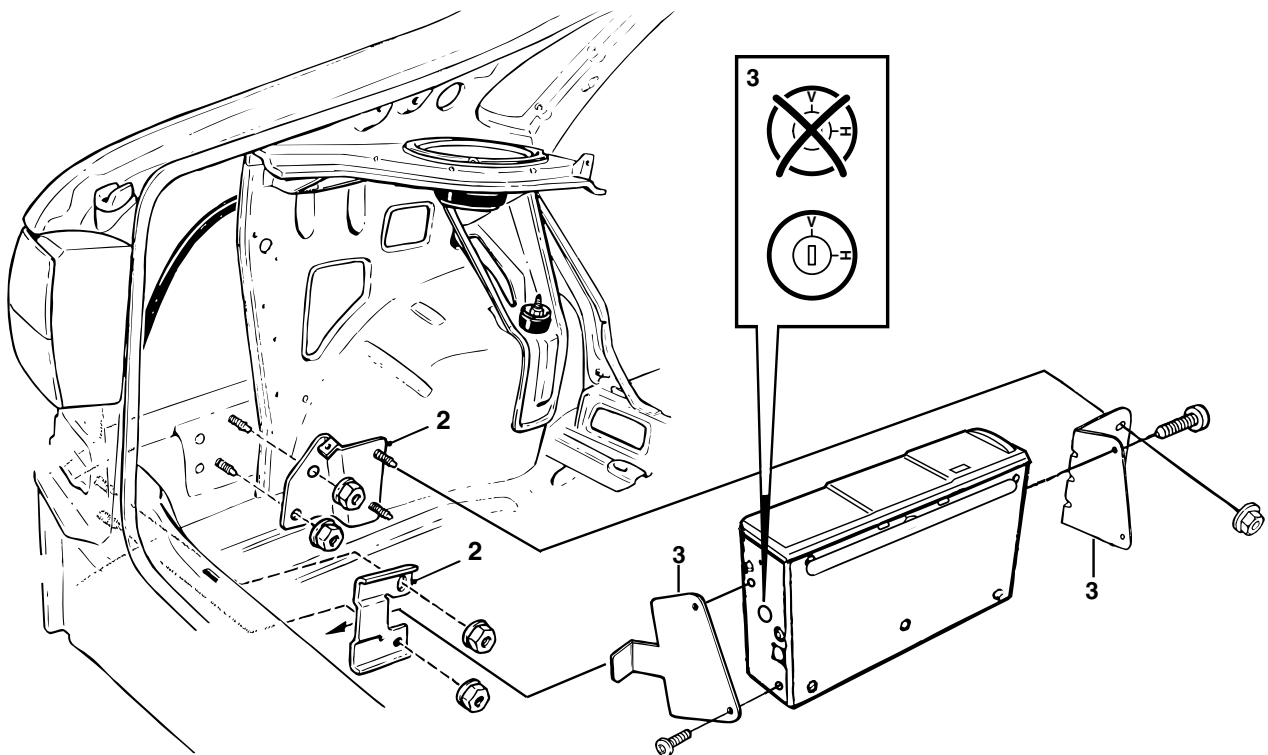
Accessories Part No.	Group	Date	Instruction Part No.	Replaces
400 112 140	9:36-7	Jun 04	50 36 363	50 36 363 Apr 98



D936A601

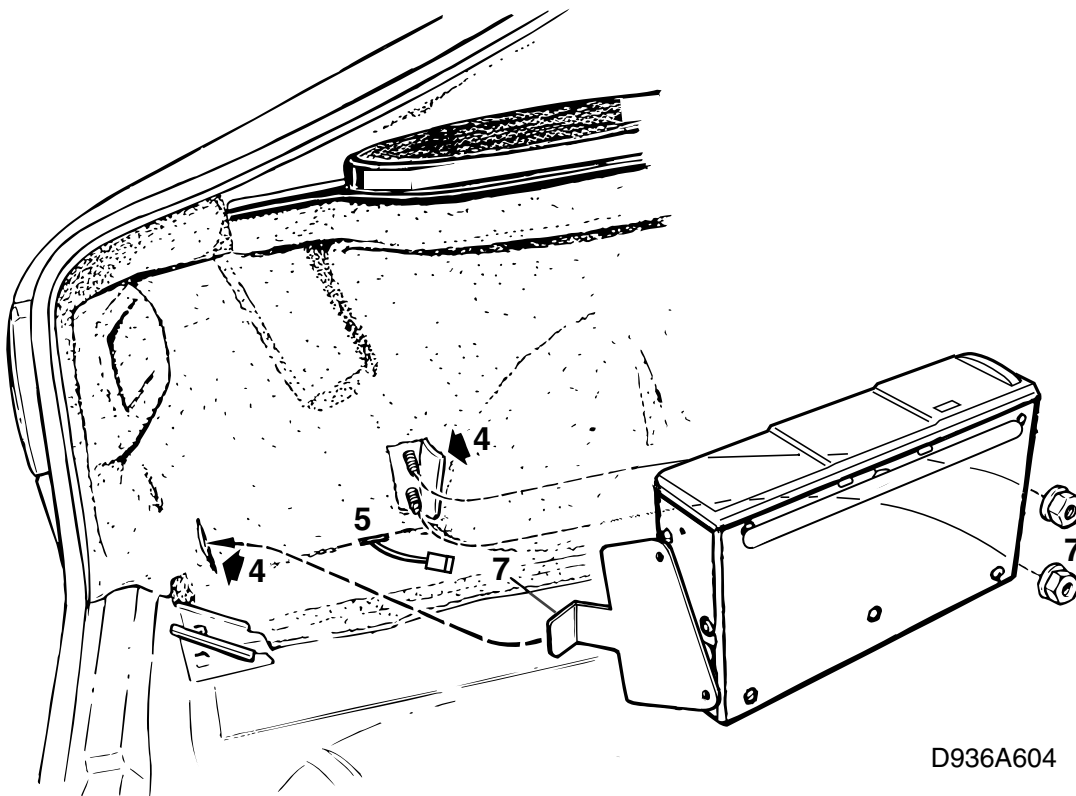


- 1 CD changer (sold separately)
- 2 Bracket, rear, CD changer
- 3 Bracket, front, CD changer
- 4 Bracket, rear
- 5 Bracket, front
- 6 Screw (x4)
- 7 Nut (x6)
- 8 CD-magazine
- 9 Tape (x4)



D936A603

- 1 Fold the left-hand rear side trim out of the way in the luggage compartment.
- 2 Fit the CD changer front and rear brackets to the welded screws on the left-hand inner wheel arch.
- 3 Unscrew the 4 transport screws (2 marked red on each short side) and remove the same. Put them in the small plastic bag and cover the holes with the supplied pieces of tape. Check that the mounting position screws are in the vertical position (V).
Screw on the CD changer bracket.



D936A604

4 Front cut:

Lay the side trim against the bracket and cut along the length of the bracket with a knife (120 mm).

Rear cut:

Make a cut just behind the screws.

- 5 Make a cut behind the front mounting towards the floor for the cable and extract the cable from behind the trim. Refit the side trim.
- 6 Connect the CD changer.
- 7 Insert the projecting rear part of the CD bracket into the rear bracket, see illustration. Screw on the front of the CD bracket.
- 8 Insert the CD magazine.
- 9 Connect the diagnostics tool, select Audio System and the "Programming" menu. "Marry" the CD changer to the car. This is a condition for proper operation of the CD changer.

WARNING

The CD changer is a class 1 laser product

- Service and repair of the CD changer must only be carried out by a qualified technician.
- If the outer casing of the CD changer is damaged, laser radiation may occur which may cause personal injury.

Important

If the CD changer is to be removed from the car and refitted in the same car, the diagnostics tool must be connected and the CD changer "divorced" from the car via Audio System and the "Programming" menu.

The CD changer must be divorced while connected to the car it was married to.

For operation of the CD changer, see the Owner's Manual.