

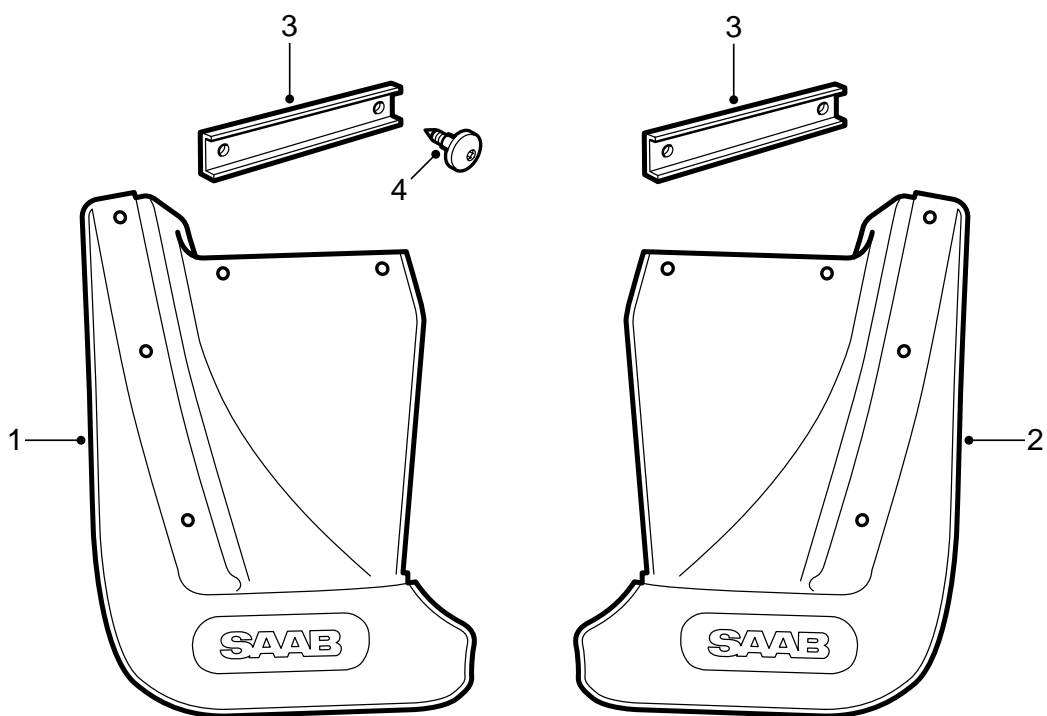


**MONTERINGSANVISNING · INSTALLATION INSTRUCTIONS  
MONTAGEANLEITUNG · INSTRUCTIONS DE MONTAGE**

## Saab 9-5

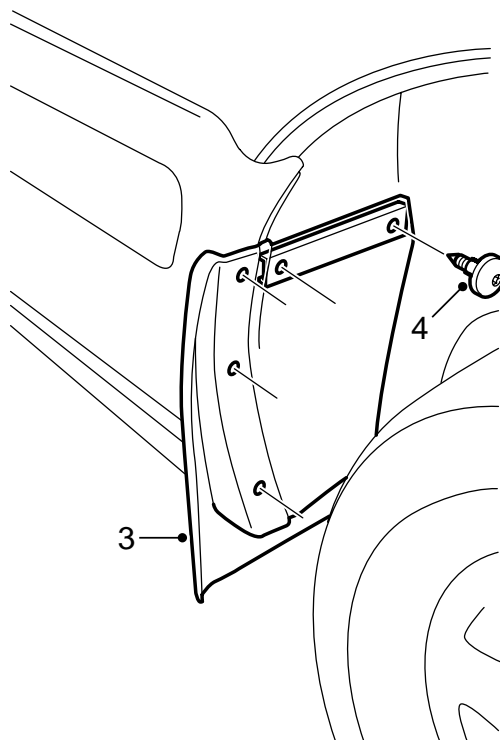
### Mudflaps

Accessories Part No.	Group	Date	Instruction Part No.	Replaces
400 130 423 400 130 431	8:45-14	Mar 01	54 07 564	



E980A616

- 1 Mudflap (LH)
- 2 Mudflap (RH)
- 3 Retaining bar (x2)
- 4 Screw (x10)



E980A617

- 1 Remove the rear wheel.
- 2 Clean the edge of the wing and the wing liner.
- 3 Position the mudflap in the wheel housing. Press the mudflap diagonally upwards and drill five holes, using a 3.5 mm drill bit. Use the mudflap as a template.
- 4 Insert two screws in the wing liner. Bring up the retaining bar into position behind the wing liner and tighten the screws.
- 5 Fit three screws in the edge of the wing.
- 6 Fit the rear wheel.