

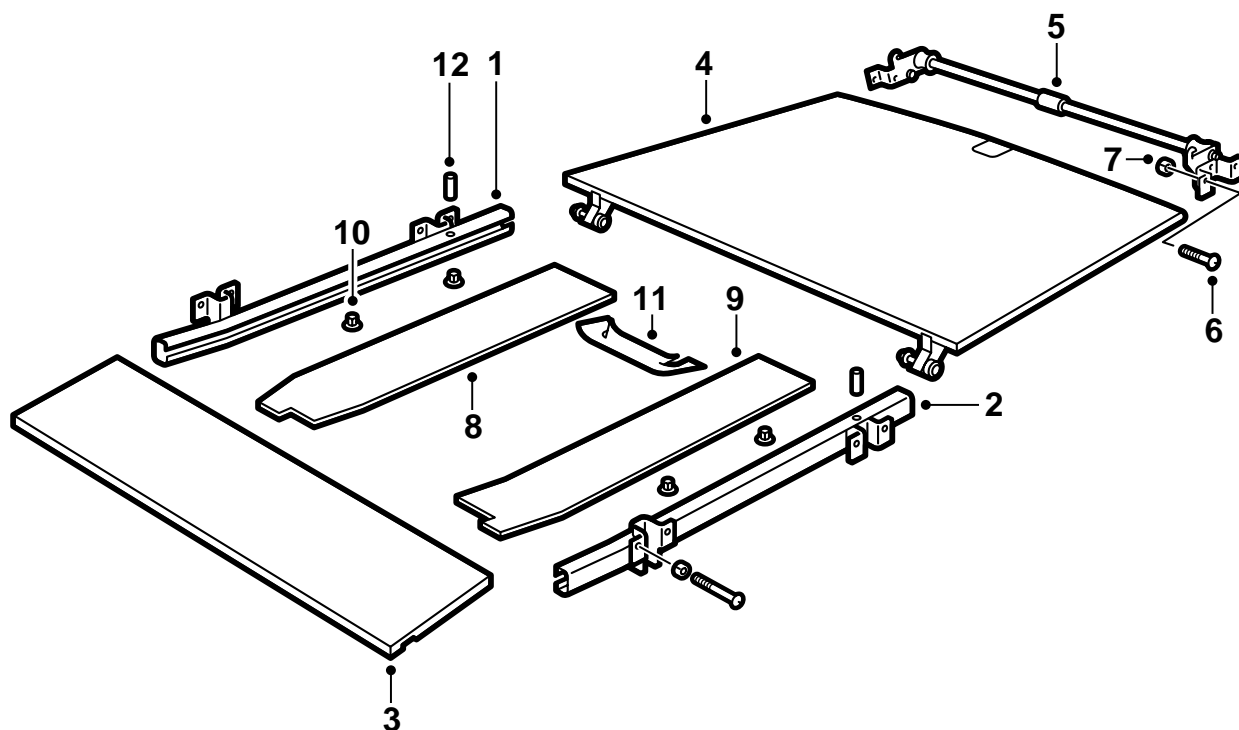


MONTERINGSANVISNING · INSTALLATION INSTRUCTIONS
MONTAGEANLEITUNG · INSTRUCTIONS DE MONTAGE

Saab 9-5 5D

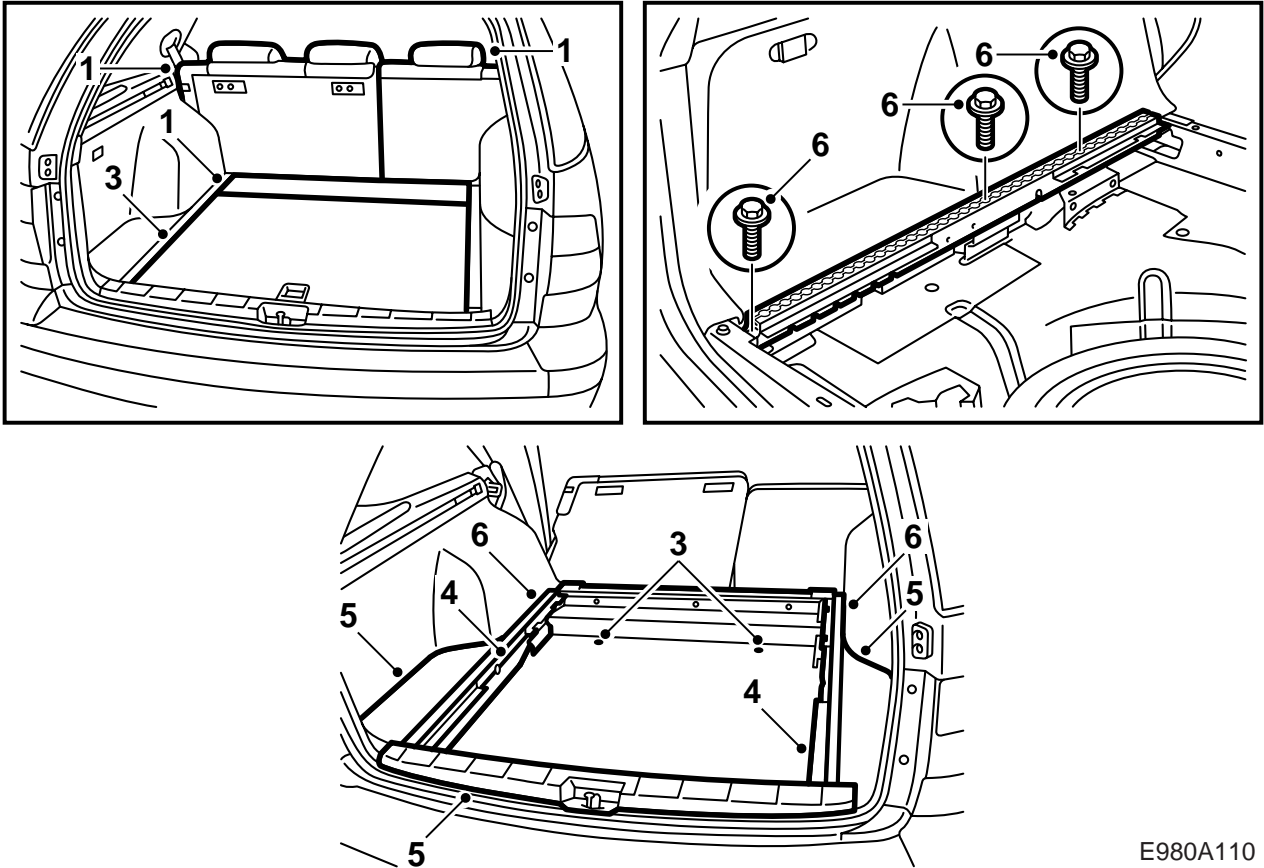
Cargo floor, extensible

Accessories Part No.	Group	Date	Instruction Part No.	Replaces
400 131 058 400 131 066	9:89-01	Mar 01	51 31 271	51 31 271 Oct 99



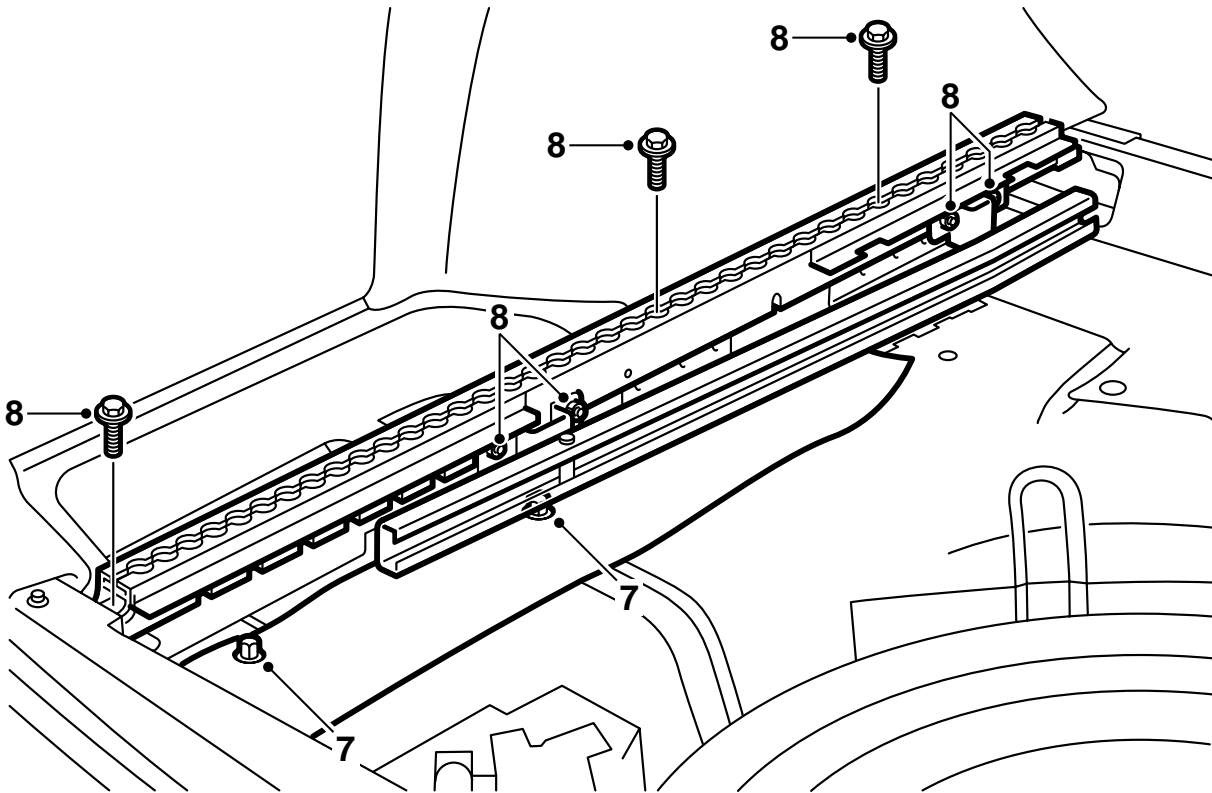
E980A121

- 1 Rail, right-hand
- 2 Rail, left-hand
- 3 Front floor
- 4 Rear floor
- 5 Locking and roller mechanism
- 6 Screw (12)
- 7 Nut (12)
- 8 Mat, right-hand
- 9 Mat, left-hand
- 10 Nut, plastic (4)
- 11 Protective tape
- 12 Spring pin



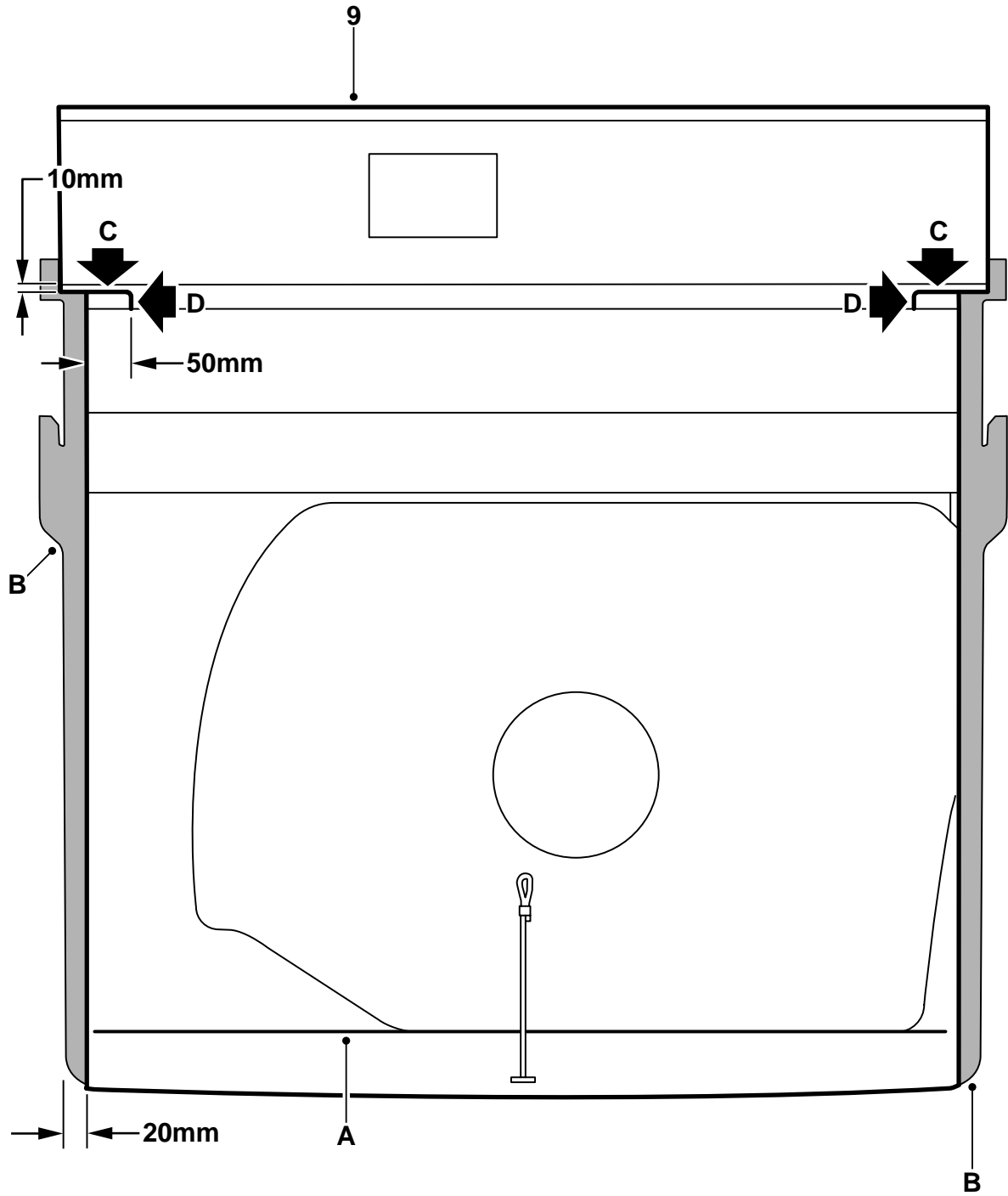
E980A110

- 1 Fold both the rear seat backrests forward and lift up the front part of the cargo space floor.
- 2 Lift out the cargo space cover.
- 3 Lift out the cargo space floor and the mat over the spare wheel.
- 4 Remove the carpeting under the cargo anchorage rails.
- 5 Remove the sill scuff plate and storage compartments in the floor.
- 6 Remove the covers from the cargo anchorage rails and remove the rails.



E980A111

- 7 Fit the side mats supplied in the kit, using plastic nuts on existing screws.
- 8 Bolt the kit's rails to the cargo anchorage rails (the nuts should be fitted against the kit's rails) and refit the cargo anchorage rails.



E980A112

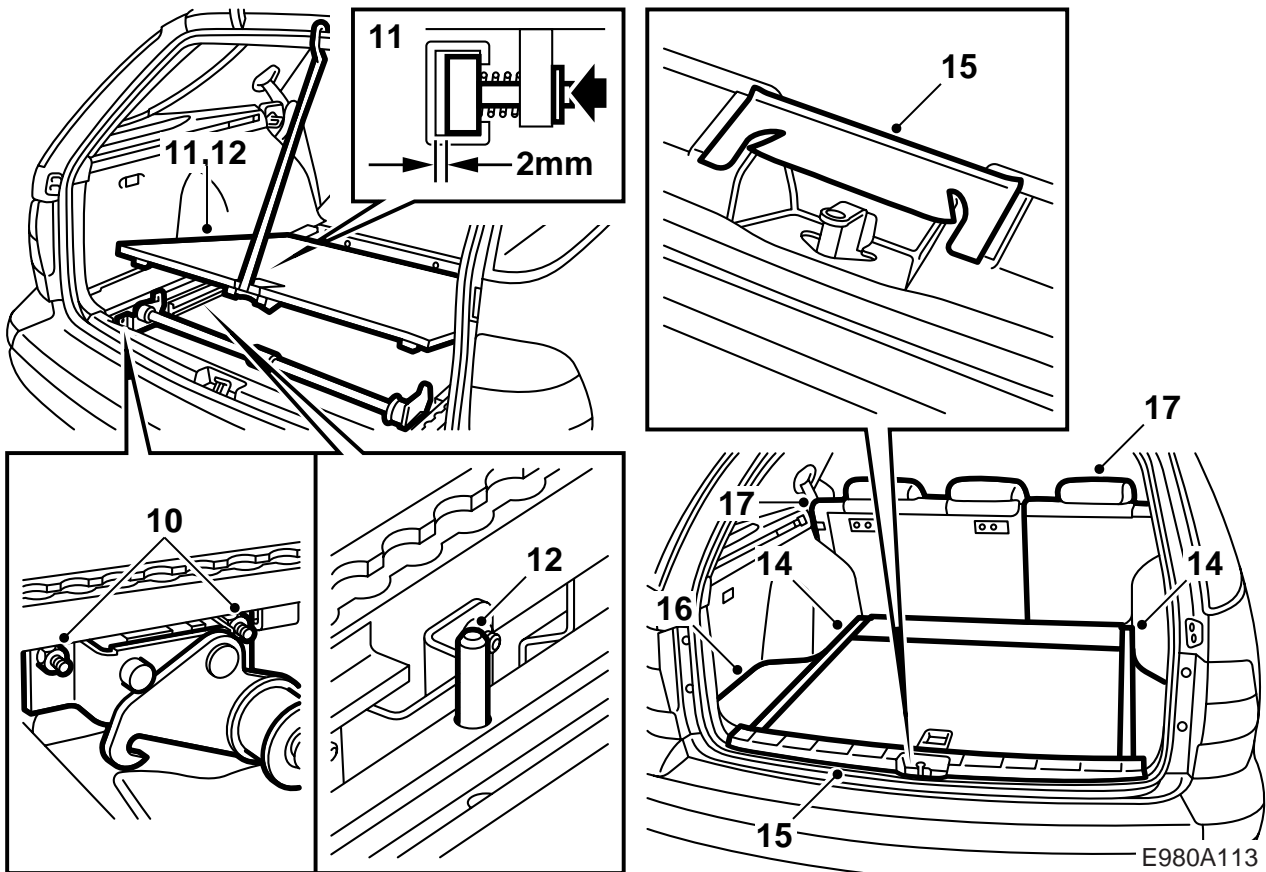
9 Modify the carpet over the spare wheel as illustrated.

A = New fold, score carefully on the back of the carpet.

B = Marked areas to be cut out.

Cut along lines C and D. The remaining flap is to be folded under the rail after the carpet is fitted.

Put the carpet in position in the car and fit the three clips and two nuts.



- 10 Fit the catches and rollers on the load anchoring rails as illustrated. Use two screws and lock nuts. Apply a few drops of oil between the rollers and the catches and wipe off any excess oil.
- 11 Insert the new load floor front rollers into the rails and roll in the load floor. Check the distance between each roller and the side of the rail when the load floor is in its inner position. The clearance should be 1.5-2.0 mm. Adjust if necessary.
In addition, make sure that the catches (10) are gripping the lock pins securely. Adjust the height of the catches if necessary.
- 12 Raise the rear edge of the floor and suspend it in the raised position. Place a block or the like as a counterstay under the rail and drive in the expanding pin as a stop for the floor.
- 13 Secure the wiring harness, if any, out of the way so that the leads will not be damaged by the cargo floor rollers.
- 14 Fit the front part of the cargo floor in place and press the clips into place on the rails.
- 15 Fit the sill scuff plate and affix protective tape as shown.
- 16 Fit the storage compartments on the floor and press the covers into the cargo anchorage rails.
- 17 Raise both the rear seat backrests to the upright position.
- 18 Check the operation of the cargo floor, including the catches. See the safety rules and user instructions.

Safety rules

 **WARNING**

To avoid the danger of injury, observe the following:

- Do not leave children unattended when the cargo floor is extended.
- The cargo floor must not be used for carrying people.
- Take care when rolling in and lowering the cargo floor. Risk of injury.
- The car must not be driven with the cargo floor extended.
- When the cargo floor is extended, it must always be pulled out fully so that the catches engage.
- The cargo floor must on no account be modified in any way.

The sliding floor may be loaded with a maximum of 200 kg when extended.

When a load is carried it must be lashed to the car's cargo anchorage lugs. Cargo anchorage straps are optional accessories.

Make sure that the cargo anchorage straps do not chafe against any sharp edges.

When the cargo floor is retracted and not used for carrying a load, it must always be placed in the lowered position.

User instructions

- 1 Lift up the cargo floor, raise the support wheels and position the cargo floor on them.
- 2 Grasp the handle and withdraw the cargo floor to its fully extended position so that the catches engage.
- 3 Place the load on the cargo floor so that it does not prevent operation of the handle.
- 4 Lift the handle and slide the cargo floor in to its inner position where the catches engage.
- 5 Secure the load with cargo anchorage straps.

After use, raise the cargo floor and retract the support wheels. Then lower the cargo floor. Check that the cargo floor is locked in its lower position.