

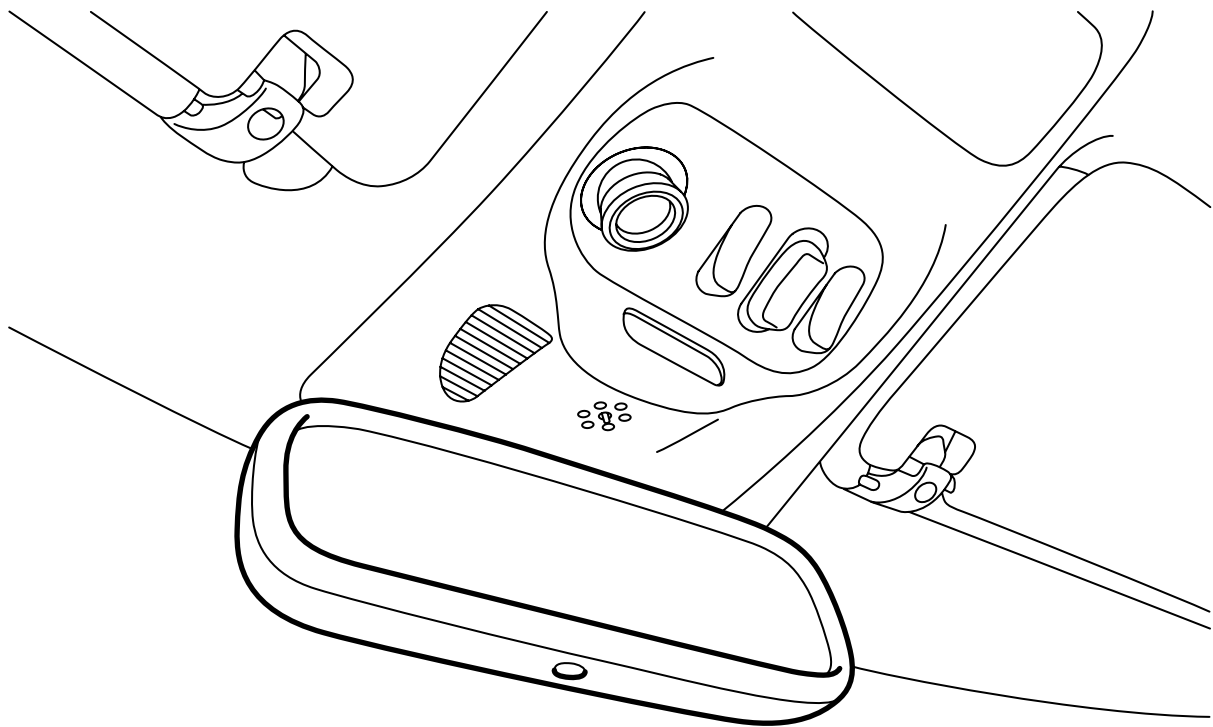


**MONTERINGSANVISNING · INSTALLATION INSTRUCTIONS
MONTAGEANLEITUNG · INSTRUCTIONS DE MONTAGE**

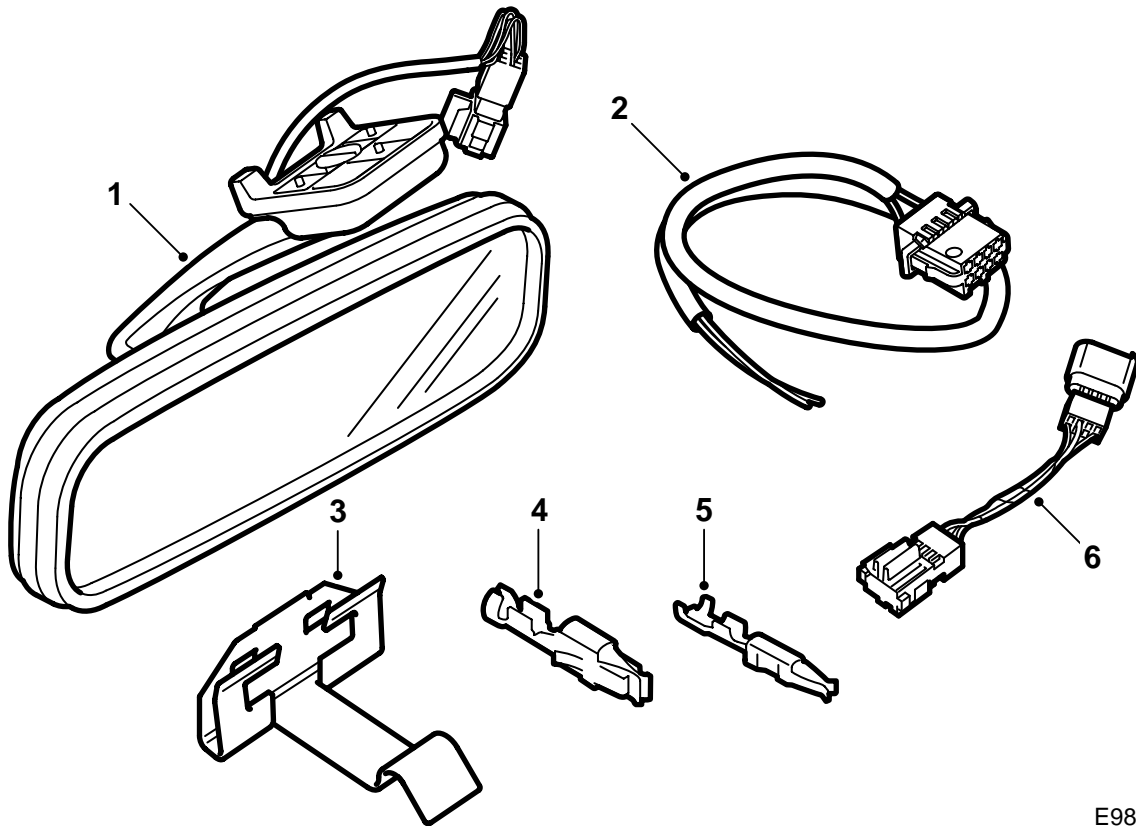
Saab 9-5

Automatic anti-dazzle rear-view mirror

Accessories Part No.	Group	Date	Instruction Part No.	Replaces
55 21 414 400 133 005	9:85-25	Oct 06	55 22 271	55 22 271 May 03

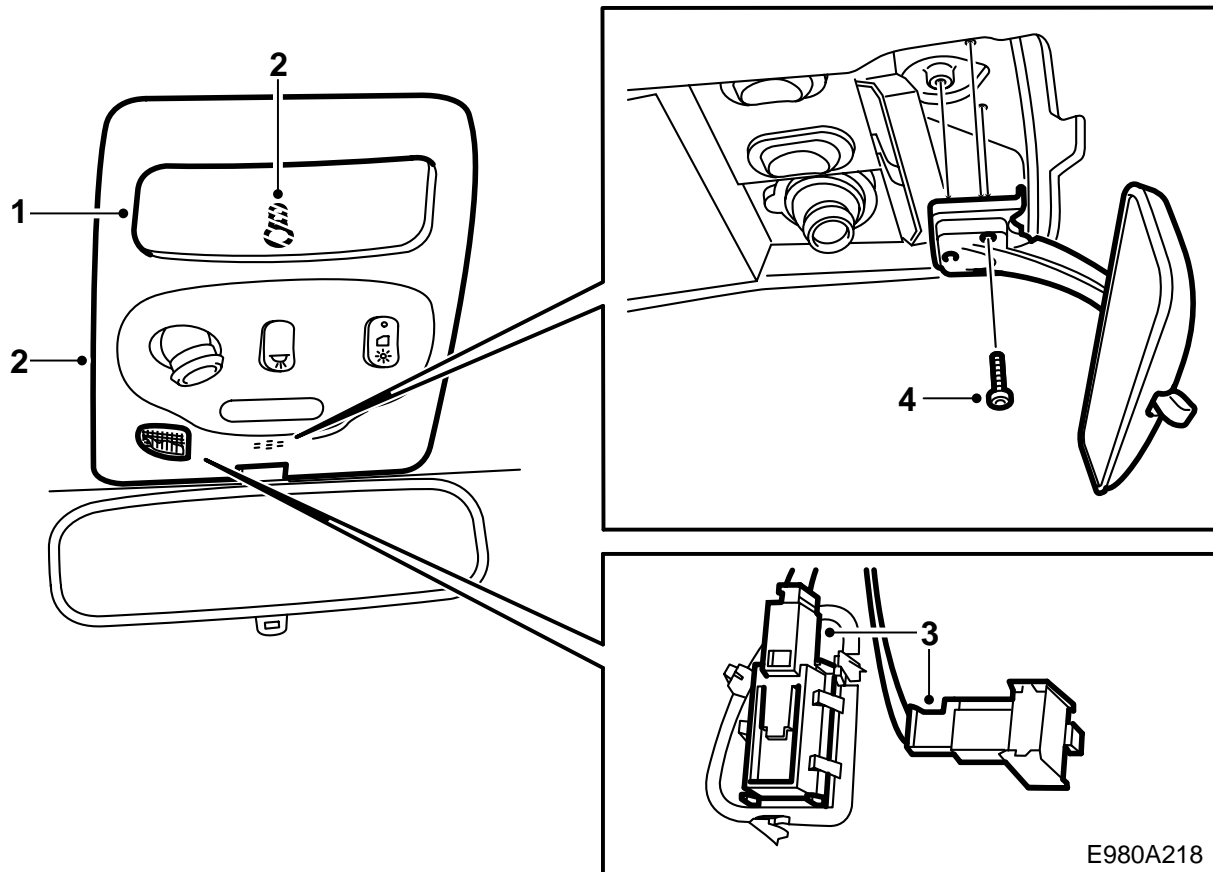


E980A420



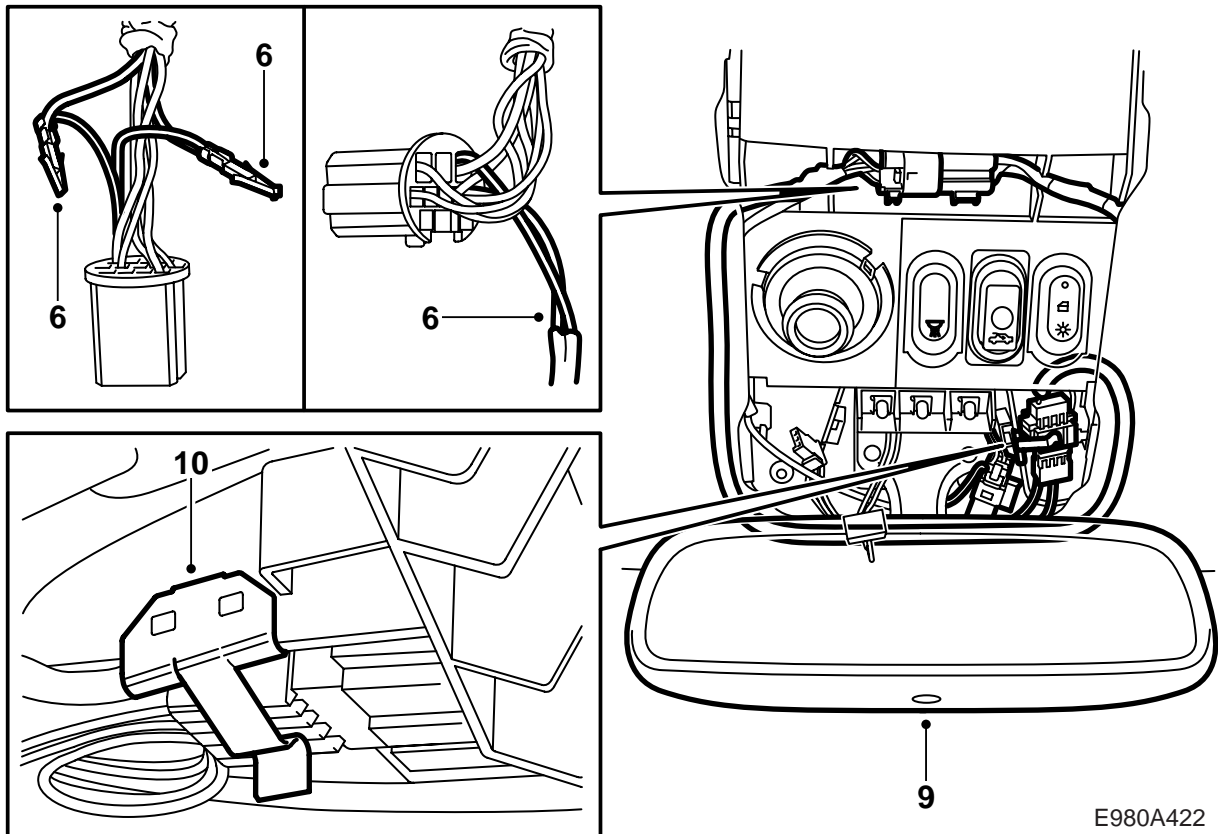
E980A421

- 1 Rear-view mirror (purchased separately)
- 2 Wiring harness
- 3 Clip
- 4 Cable terminal
- 5 Cable terminal
- 6 Wiring harness



- 1 Remove the lens.
- 2 Remove the screw and the roof console.
- 3 Remove the connectors for the temperature sensor and microphone if fitted.
- 4 Remove the rear-view mirror. Remove the fuse for interior lighting (no. 20 in the dashboard electrical centre).

E980A218



E980A422

- 5 Unplug the connector and prise out the cable terminals from position 5 (RD/WH) and position 8 (BK) in the female connector.
- 6 Pair together each cable with the corresponding cable from the kit's long wiring harness (red/white with red/white in the small cable terminal and black with black in the large cable terminal) and fit the cable terminals in the connector, red/white (RD/WH) to pin 5 and black (BK) to pin 8.
- 7 Connect the connector and press it firmly into the clip.
- 8 Carefully remove the tape from one connector on the kit's short wiring harness.

Important

The tape will be used later.

Connect the kit's short wiring harness to the kit's long wiring harness.

- 9 Connect the kit's short wiring harness to the rear-view mirror and fit the tape around the three connectors. Fit the rear-view mirror.

Tightening torque 3 Nm (2 lbf ft)

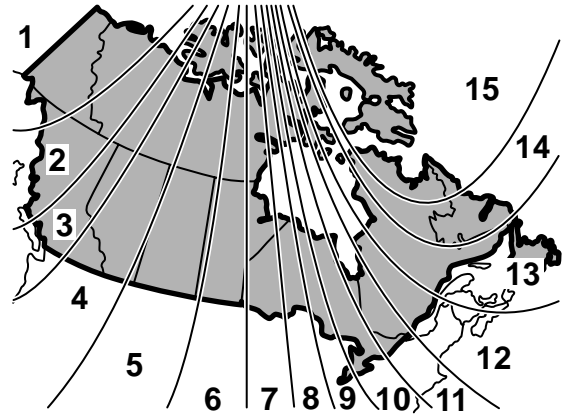
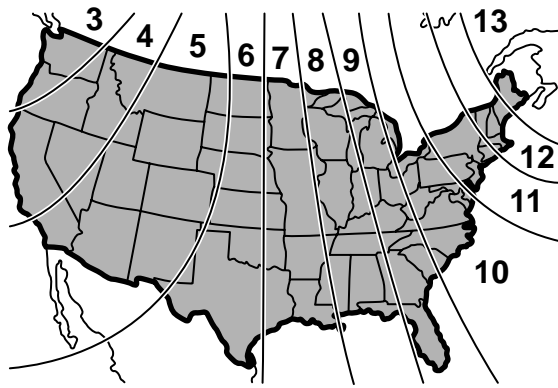
WARNING

Make sure the wiring harness is not pinched. Incorrect fitting can damage the cables and cause short-circuits/fire.

- 10 **Cars with Vehicle Identification Number up to and including X3075366:** Position the wiring harness on top of the headlining and fit the connector for the kit's long and short wiring harnesses using the clip supplied.

Cars with Vehicle Identification Number from and including X3075367: Position the wiring harness on top of the headlining and fit the connector for the kit's long and short wiring harnesses by pressing it firmly into the groove.

- 11 Position the connector for the kit's short wiring harness and rear-view mirror between the rear-view mirror base and the connector fitted in the previous step.
- 12 Connect the connectors for the temperature sensor and microphone if fitted.
- 13 Fit the roof console and lens.
- 14 Fit the fuse for the interior lighting.
- 15 **Rear-view mirror with compass:** Calibrate the compass, see page 5. If necessary, change compass zone, see page 5.
- 16 Hand over the installation instructions to the customer and bring attention to the user instructions.



D980A352

User instructions

The rear-view mirror has two sensors, one facing the front and the other facing the rear. When the front-facing sensor detects that it is dark outside, the system will be activated so that any bright light falling from behind will gradually darken the rear-view mirror to reduce the brightness. As the bright light subsides, the mirror will gradually return to normal.

Automatic anti-dazzle can be switched off using the button under the rear-view mirror. For other questions, refer to the Owner's Manual.

Calibration/Programming

Rear-view mirror with compass: Calibrate the compass by holding the "AUTO" button depressed until "CAL" and a compass point are shown in the compass window. Release the button. Slowly drive the car in a circle until "CAL" disappears. The compass is now calibrated. For other questions, refer to the Owner's Manual.

Rear-view mirror with compass: Change the compass zone by holding the "AUTO" button depressed until "ZONE" and a compass point are shown in the compass window. Release the button. You can now change the compass zone using the "AUTO" button (see illustration for compass zone options). Release the "AUTO" button once the correct compass zone has been selected. Once "ZONE" disappears, the compass zone is stored. For other questions, refer to the Owner's Manual.

Rear-view mirror with garage door remote control: For programming, see the Owner's Manual.